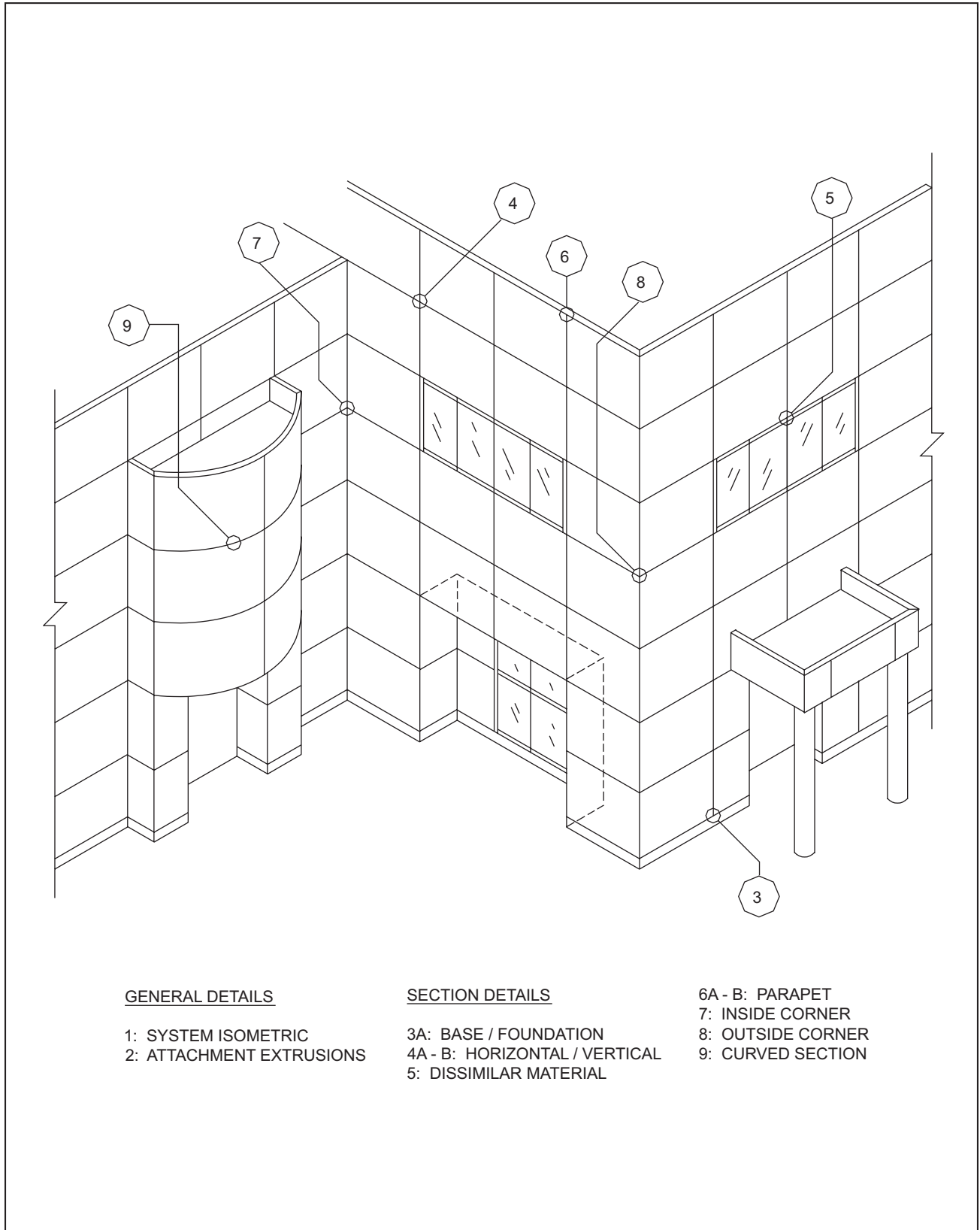


# Typical Details: RainScreen System (RS)



GENERAL DETAILS

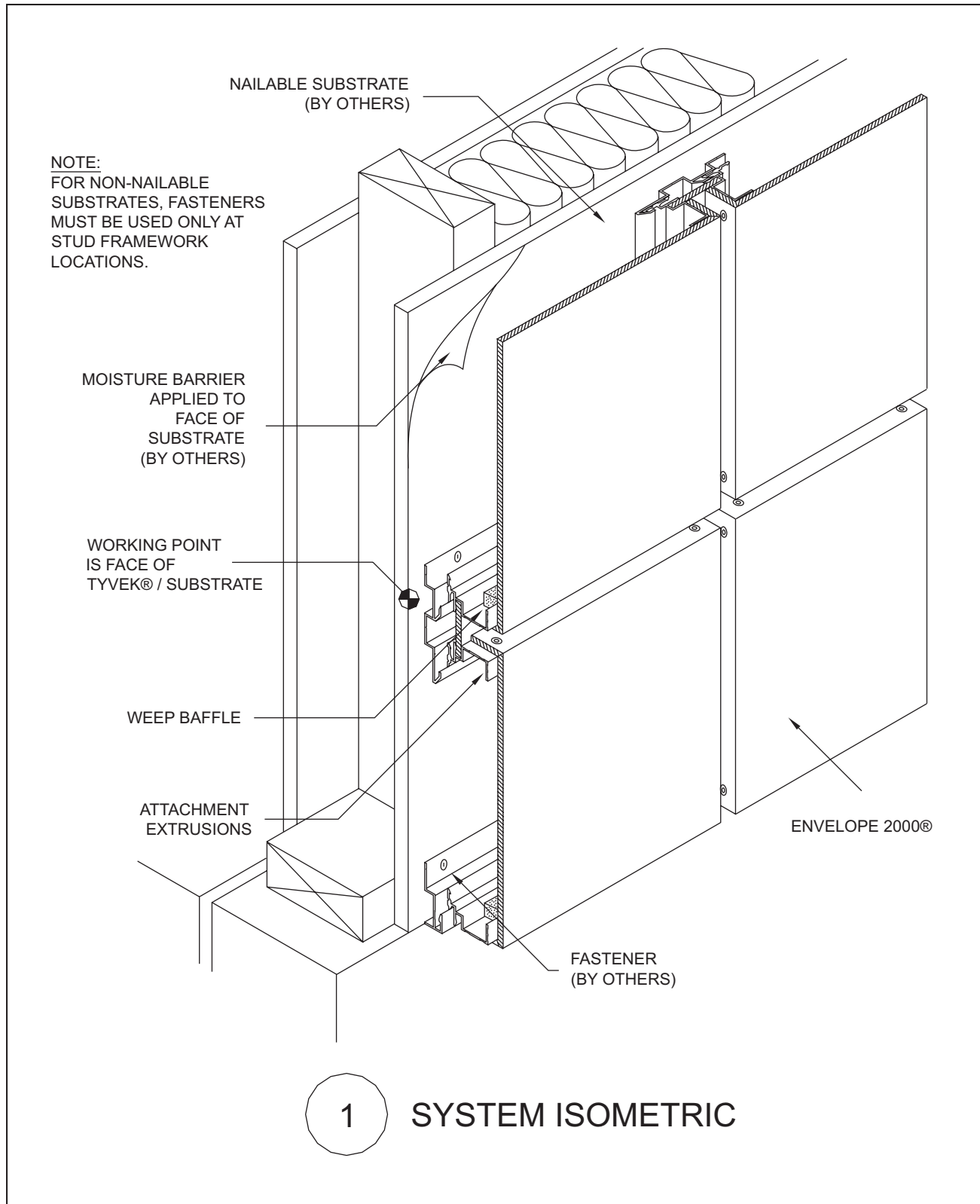
- 1: SYSTEM ISOMETRIC
- 2: ATTACHMENT EXTRUSIONS

SECTION DETAILS

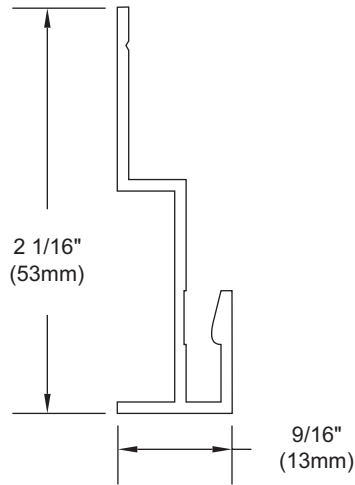
- 3A: BASE / FOUNDATION
- 4A - B: HORIZONTAL / VERTICAL
- 5: DISSIMILAR MATERIAL

- 6A - B: PARAPET
- 7: INSIDE CORNER
- 8: OUTSIDE CORNER
- 9: CURVED SECTION

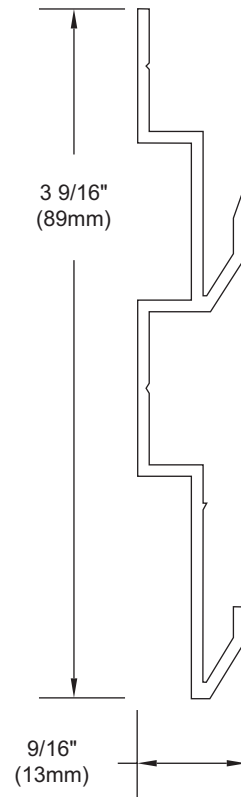
©2003 Citadel Architectural Products, Inc. An ISO 9001:2000 Registered Company.  
 Envelope 2000® is a registered trademark of Citadel Architectural Products, Inc.  
 Printed in The U.S.A. Form # 7.05.TD3.B Rev. (11/06) Supersedes (06/03)



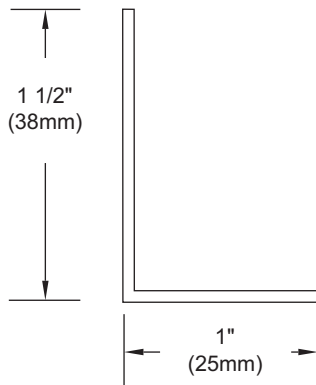
<b>DRAWING NAME:</b> E2K RS 1 System Isometric.dwg			Note: This detail represents the latest recommendations from Citadel Architectural Products, Inc. It is presented in good faith and is subject to change without notice. Citadel Architectural Products, Inc. accepts no responsibility for the end use of this detail. For conditions not shown, consult our Technical Staff at (800) 446-8828 for review of specific details.
<b>SYSTEM:</b> RainScreen (RS)	<b>REVISED:</b> 11/06	<b>SCALE:</b> n/a	



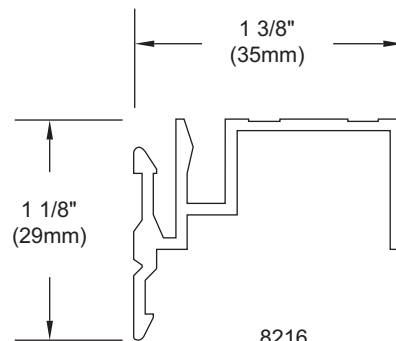
8212  
EXTRUSION



8214  
EXTRUSION



RR-103  
PANEL CLIP



8216  
EXTRUSION



## ATTACHMENT EXTRUSIONS

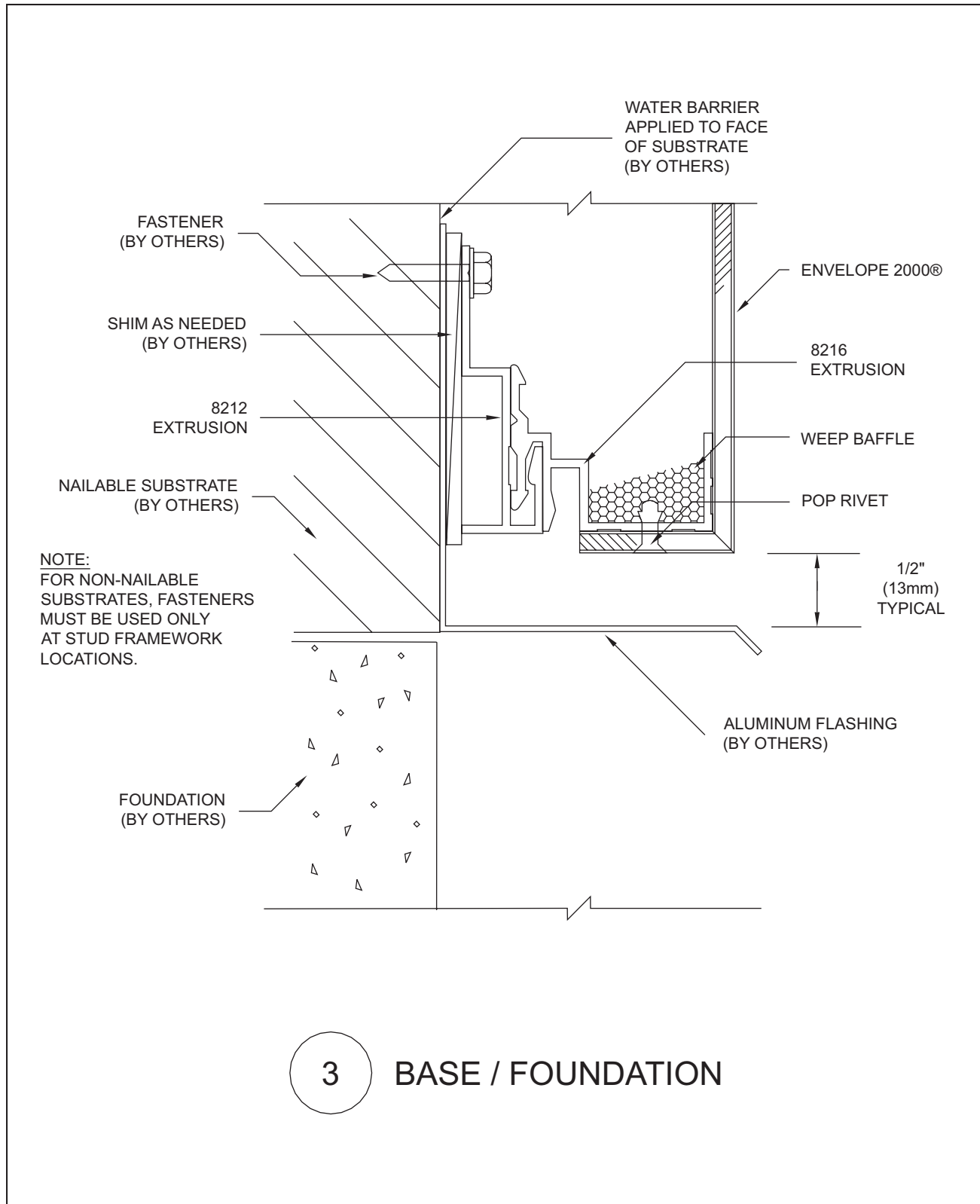
Note: This detail represents the latest recommendations from Citadel Architectural Products, Inc. It is presented in good faith and is subject to change without notice. Citadel Architectural Products, Inc. accepts no responsibility for the end use of this detail. For conditions not shown, consult our Technical Staff at (800) 446-8828 for review of specific details.

**DRAWING NAME:**  
E2K RS 2 Attachment Extrusions.dwg

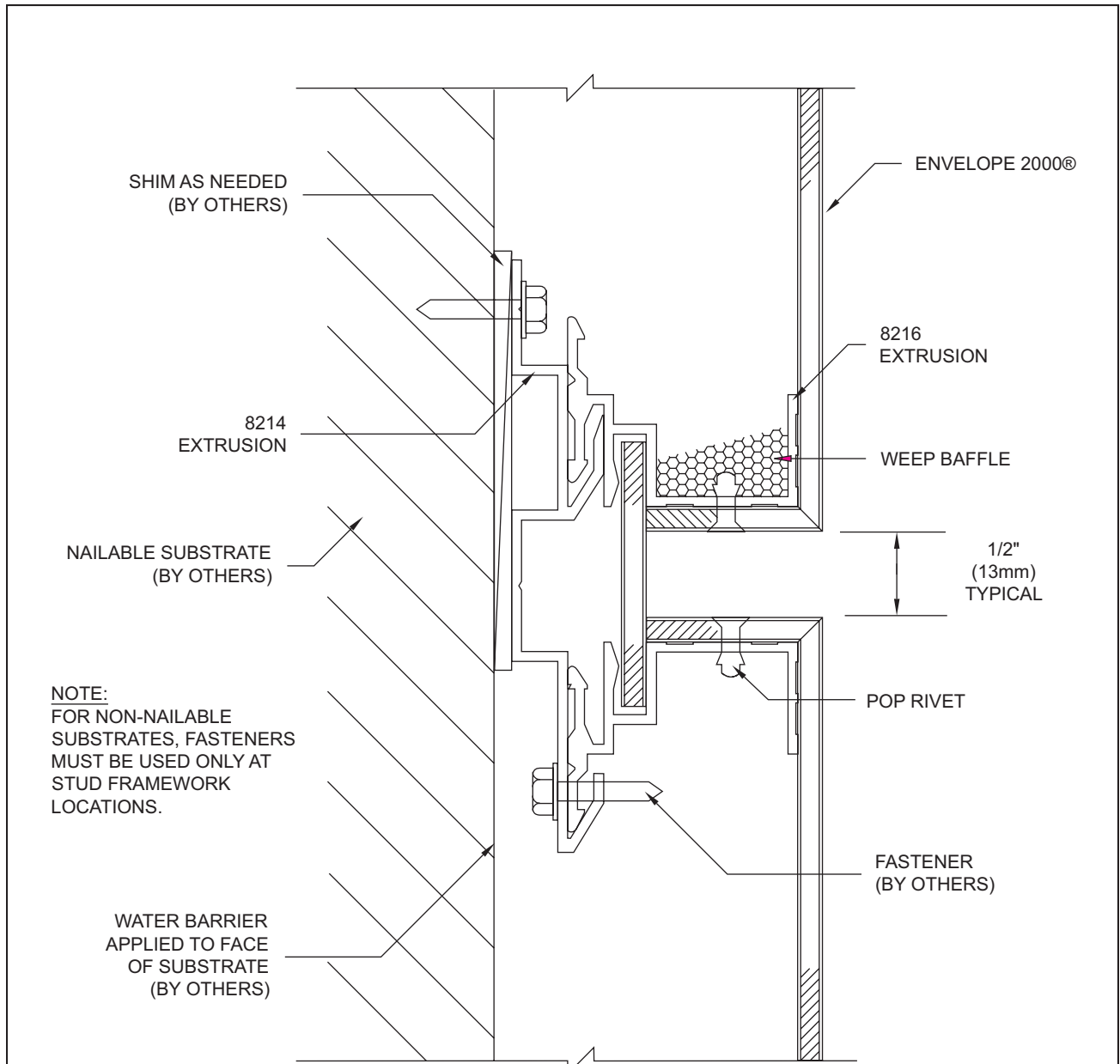
**SYSTEM:**  
RainScreen (RS)

**REVISED:**  
11/06

**SCALE:**  
1:1

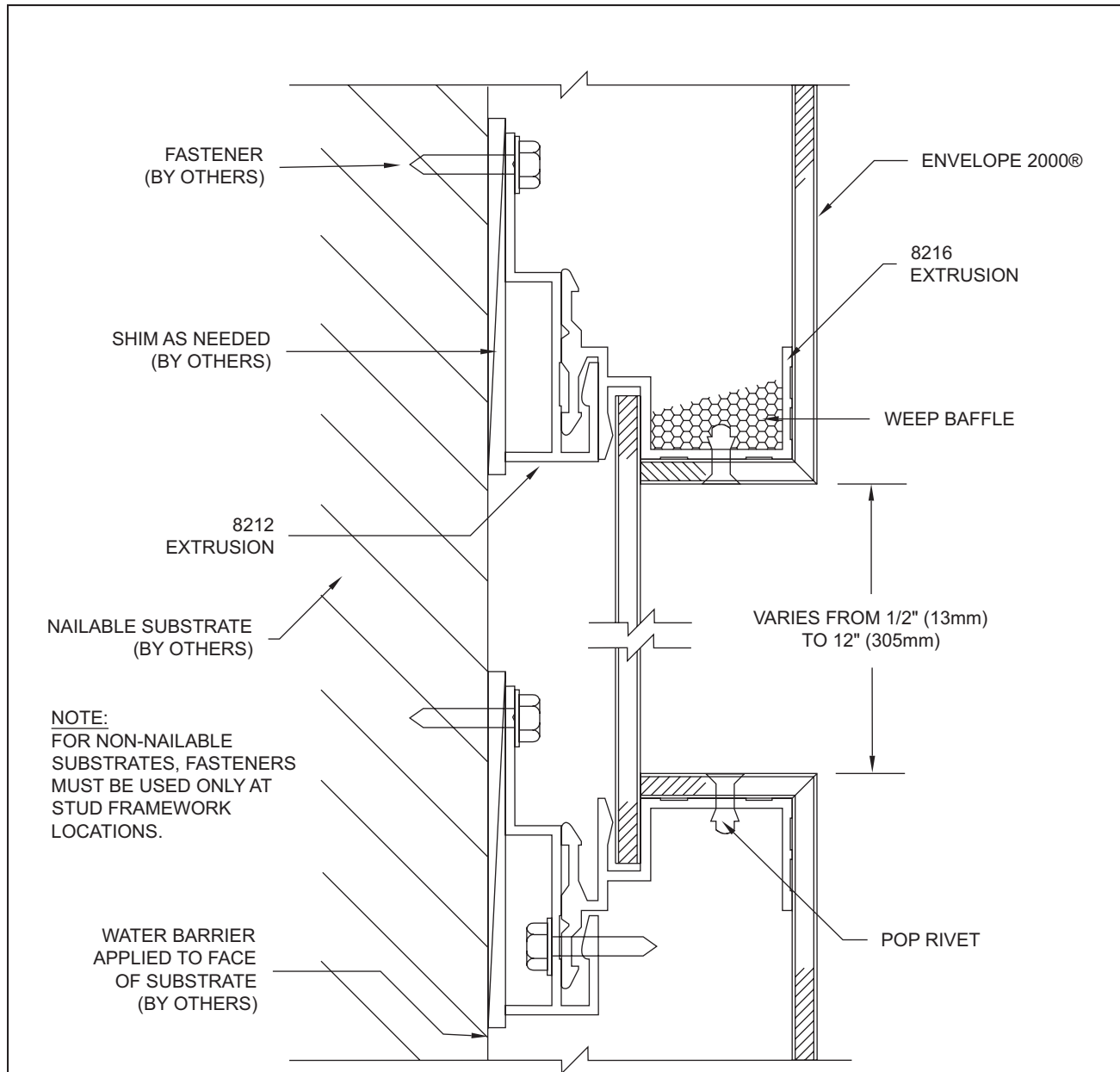


<b>DRAWING NAME:</b> E2K RS 3 Base Foundation.dwg			Note: This detail represents the latest recommendations from Citadel Architectural Products, Inc. It is presented in good faith and is subject to change without notice. Citadel Architectural Products, Inc. accepts no responsibility for the end use of this detail. For conditions not shown, consult our Technical Staff at (800) 446-8828 for review of specific details.
<b>SYSTEM:</b> RainScreen (RS)	<b>REVISED:</b> 11/06	<b>SCALE:</b> 1:1	



**4A** HORIZONTAL / VERTICAL, OPTION 1

<p>Note: This detail represents the latest recommendations from Citadel Architectural Products, Inc. It is presented in good faith and is subject to change without notice. Citadel Architectural Products, Inc. accepts no responsibility for the end use of this detail. For conditions not shown, consult our Technical Staff at (800) 446-8828 for review of specific details.</p>	<p><b>DRAWING NAME:</b> E2K RS 4A Horizontal Vertical Option 1.dwg</p>		
	<p><b>SYSTEM:</b> RainScreen (RS)</p>	<p><b>REVISED:</b> 11/06</p>	<p><b>SCALE:</b> 1:1</p>

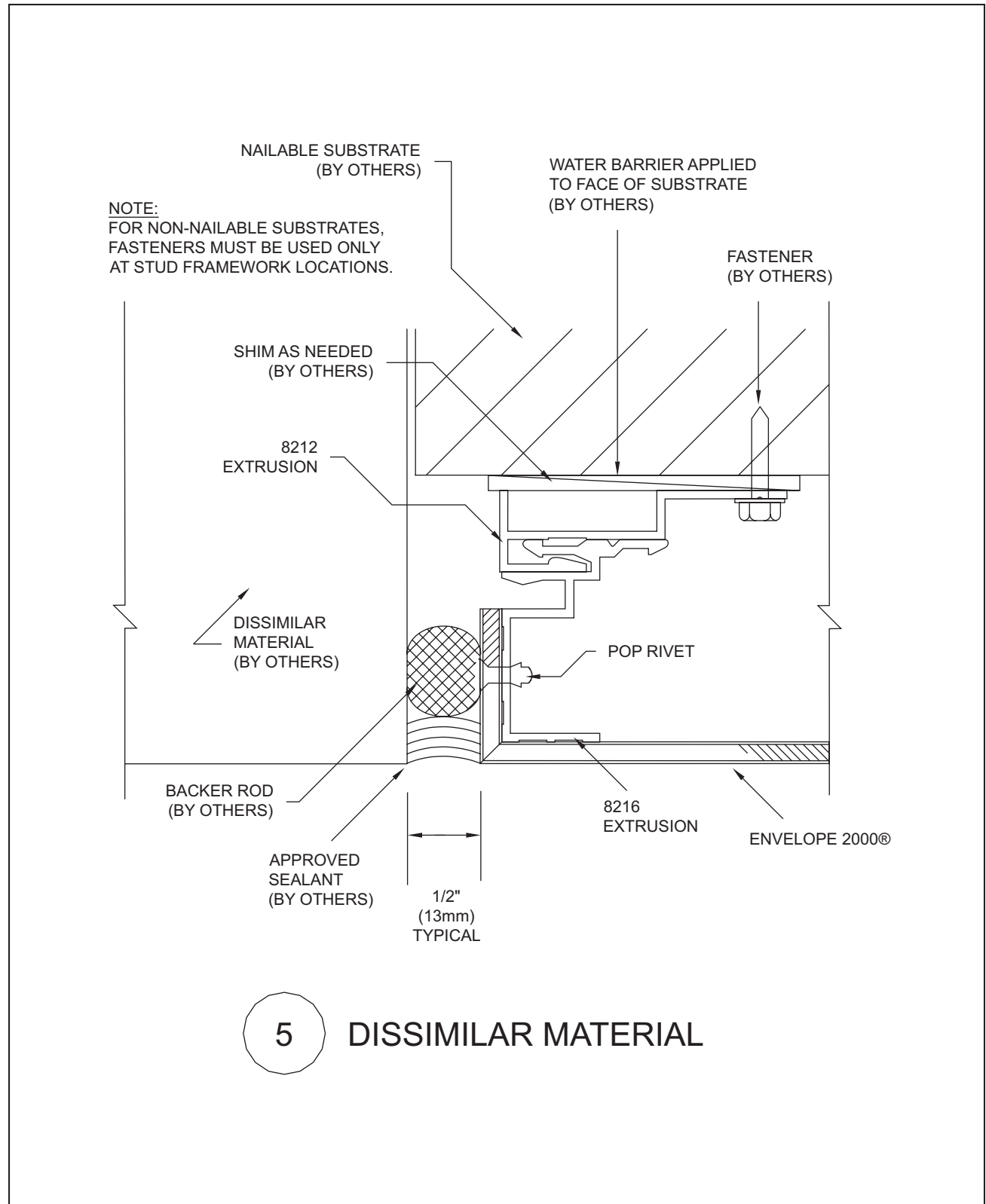


**NOTE:**  
FOR NON-NAILABLE  
SUBSTRATES, FASTENERS  
MUST BE USED ONLY AT  
STUD FRAMEWORK  
LOCATIONS.

4B

HORIZONTAL / VERTICAL, OPTION 2

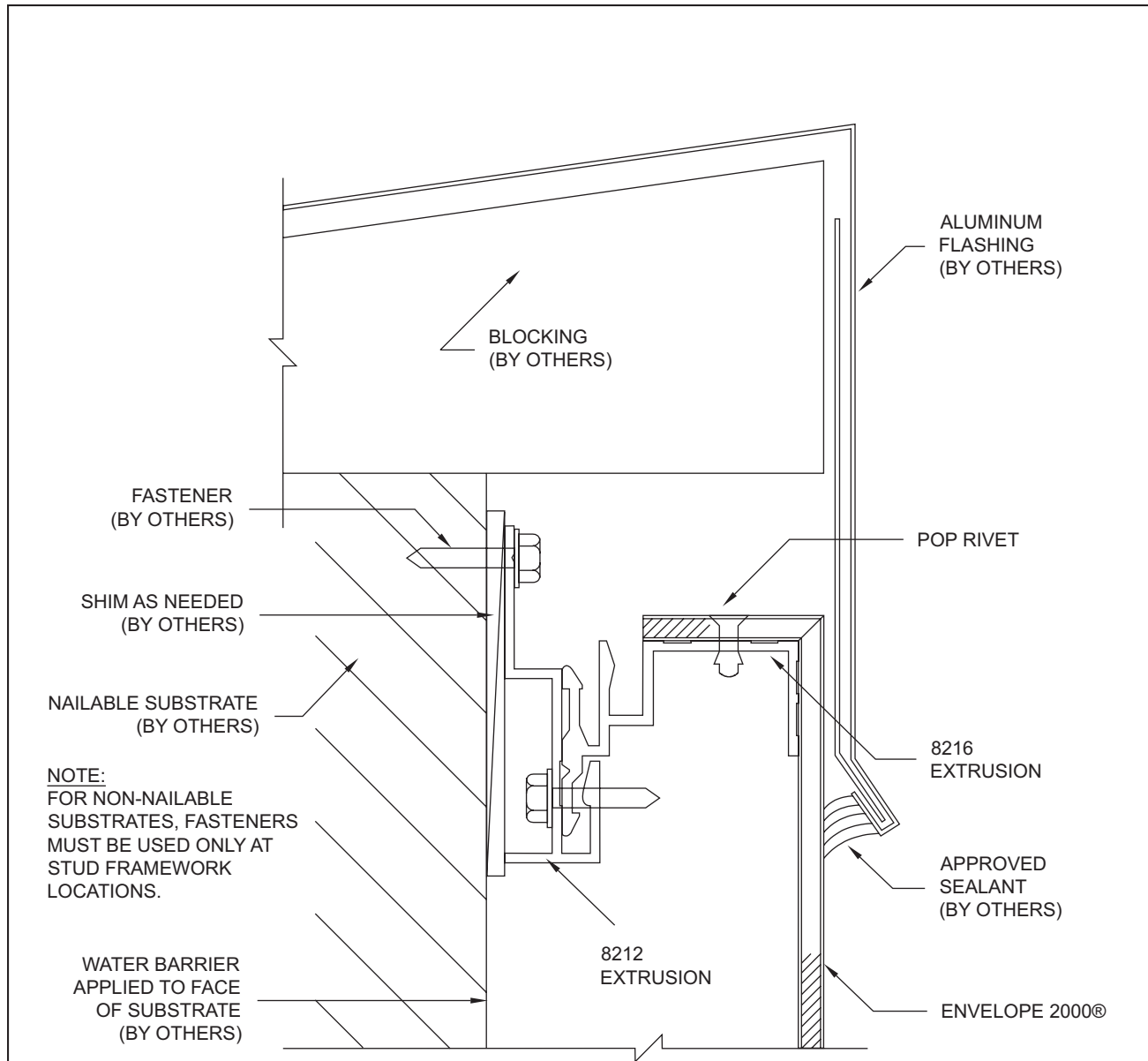
<p><b>DRAWING NAME:</b> E2K RS 4B Horizontal Vertical Option 2.dwg</p>			<p>Note: This detail represents the latest recommendations from Citadel Architectural Products, Inc. It is presented in good faith and is subject to change without notice. Citadel Architectural Products, Inc. accepts no responsibility for the end use of this detail. For conditions not shown, consult our Technical Staff at (800) 446-8828 for review of specific details.</p>
<p><b>SYSTEM:</b> RainScreen (RS)</p>	<p><b>REVISED:</b> 11/06</p>	<p><b>SCALE:</b> 1:1</p>	



**5** DISSIMILAR MATERIAL

Note: This detail represents the latest recommendations from Citadel Architectural Products, Inc. It is presented in good faith and is subject to change without notice. Citadel Architectural Products, Inc. accepts no responsibility for the end use of this detail. For conditions not shown, consult our Technical Staff at (800) 446-8828 for review of specific details.

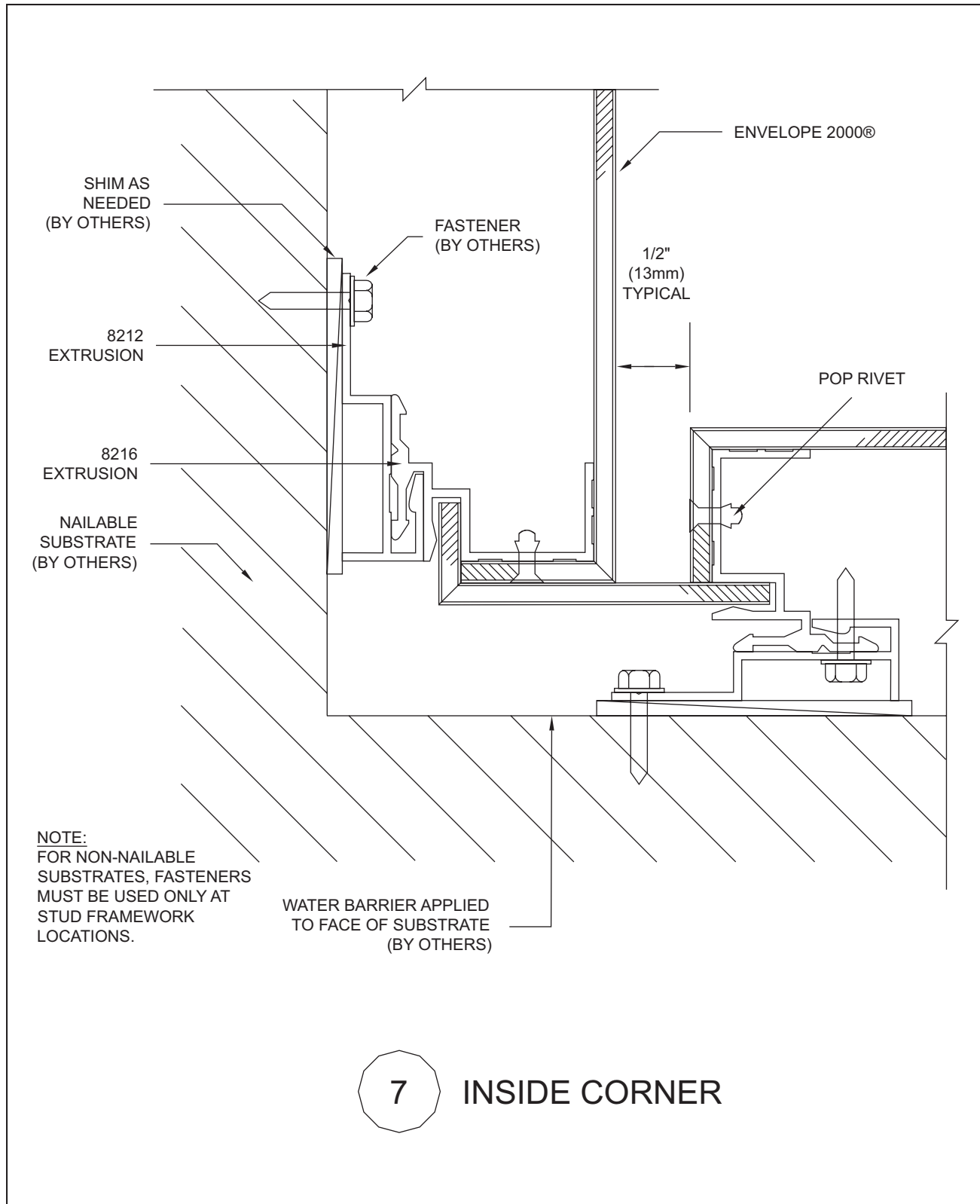
<b>DRAWING NAME:</b> E2K RS 5 Dissimilar Material.dwg		
<b>SYSTEM:</b> RainScreen (RS)	<b>REVISED:</b> 11/06	<b>SCALE:</b> 1:1



**6A** PARAPET, OPTION 1

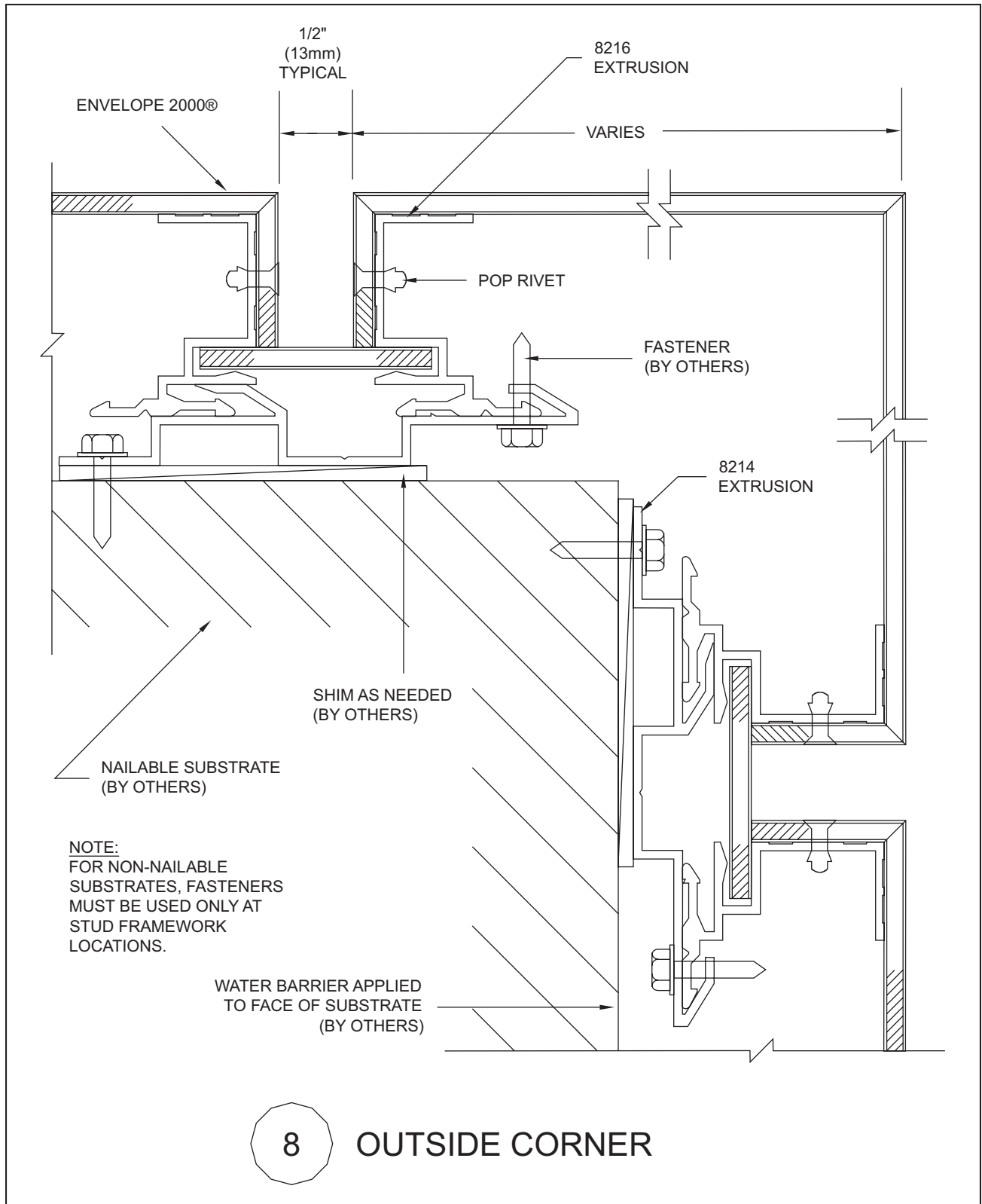
<p><b>DRAWING NAME:</b> E2K RS 6A Parapet Option 1.dwg</p>			<p>Note: This detail represents the latest recommendations from Citadel Architectural Products, Inc. It is presented in good faith and is subject to change without notice. Citadel Architectural Products, Inc. accepts no responsibility for the end use of this detail. For conditions not shown, consult our Technical Staff at (800) 446-8828 for review of specific details.</p>
<p><b>SYSTEM:</b> RainScreen (RS)</p>	<p><b>REVISED:</b> 11/06</p>	<p><b>SCALE:</b> 1:1</p>	





**7** INSIDE CORNER

<p><b>DRAWING NAME:</b> E2K RS 7 Inside Corner.dwg</p>			<p>Note: This detail represents the latest recommendations from Citadel Architectural Products, Inc. It is presented in good faith and is subject to change without notice. Citadel Architectural Products, Inc. accepts no responsibility for the end use of this detail. For conditions not shown, consult our Technical Staff at (800) 446-8828 for review of specific details.</p>
<p><b>SYSTEM:</b> RainScreen (RS)</p>	<p><b>REVISED:</b> 11/06</p>	<p><b>SCALE:</b> 1:1</p>	



Note: This detail represents the latest recommendations from Citadel Architectural Products, Inc. It is presented in good faith and is subject to change without notice. Citadel Architectural Products, Inc. accepts no responsibility for the end use of this detail. For conditions not shown, consult our Technical Staff at (800) 446-8828 for review of specific details.

**DRAWING NAME:**  
E2K RS 8 Outside Corner.dwg

**SYSTEM:**  
RainScreen (RS)

**REVISED:**  
11/06

**SCALE:**  
1:1

