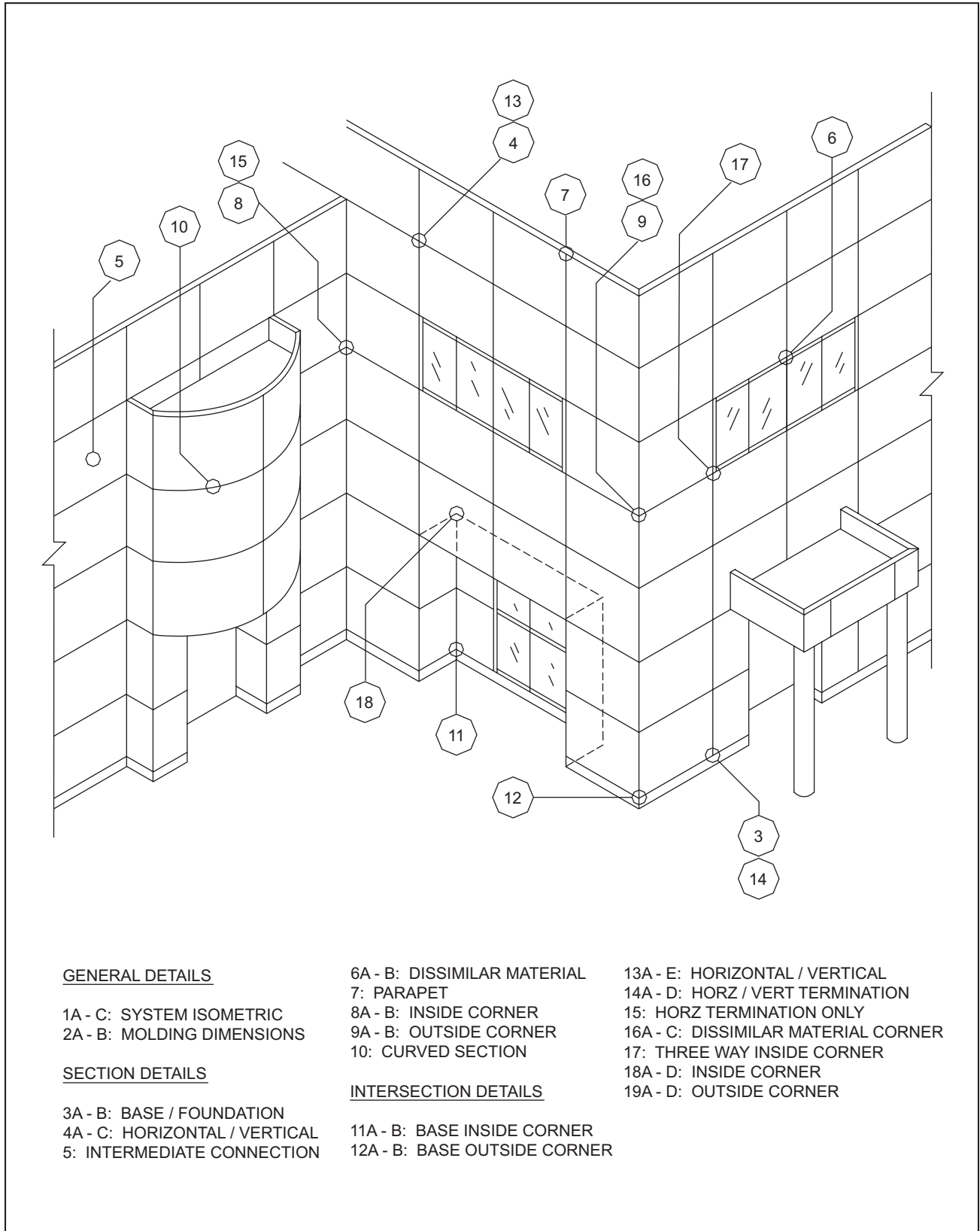


Typical Details: Two Piece Molding System



©2003 Citadel Architectural Products, Inc. An ISO 9001:2000 Registered Company.
SinoCore® is a registered trademark of Citadel Architectural Products, Inc.
Printed in The U.S.A. Form # 7.02.TD2.B Rev. (11/06) Supersedes (06/03)

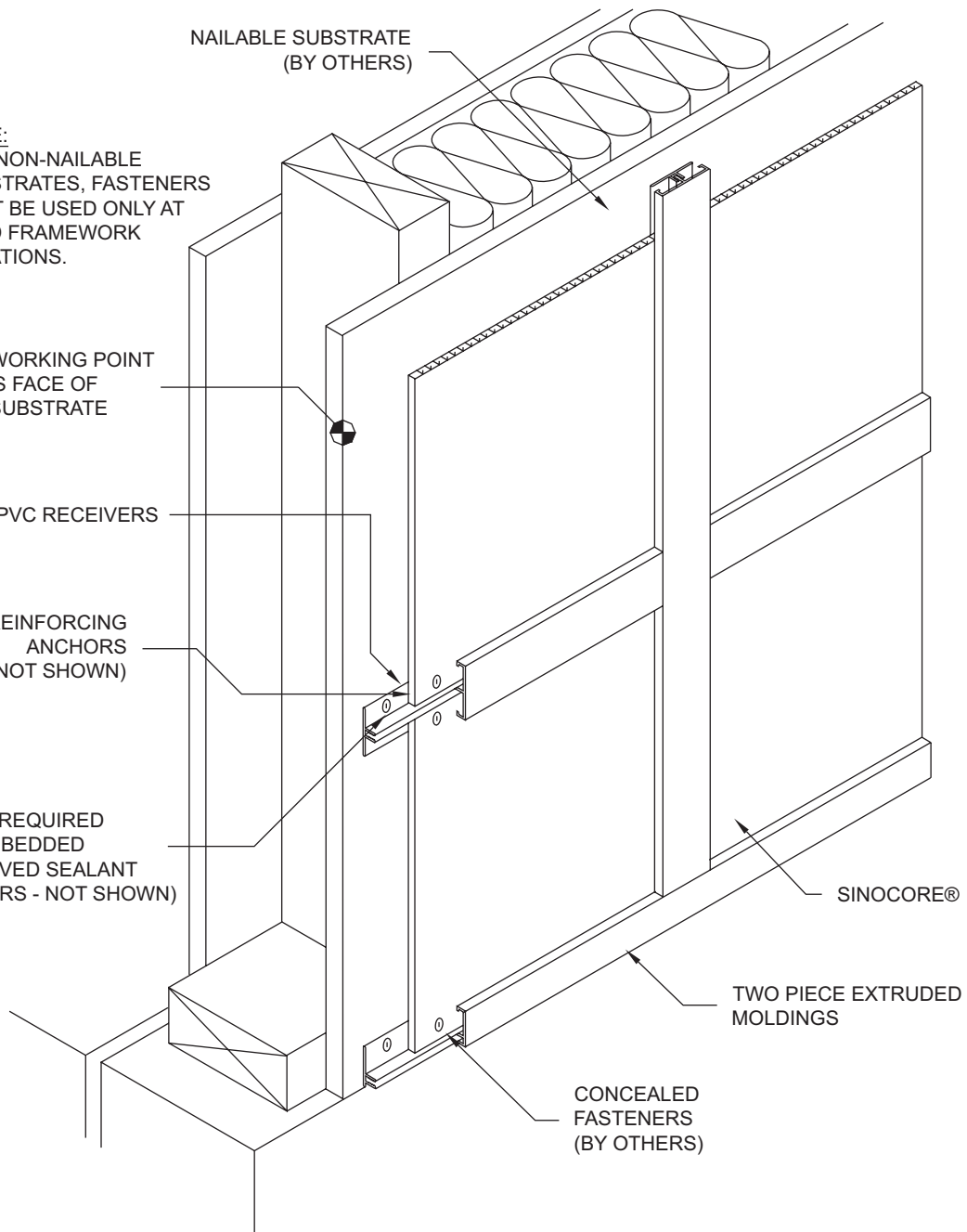
NOTE:
FOR NON-NAILABLE
SUBSTRATES, FASTENERS
MUST BE USED ONLY AT
STUD FRAMEWORK
LOCATIONS.

WORKING POINT
IS FACE OF
SUBSTRATE

PVC RECEIVERS

REINFORCING
ANCHORS
(NOT SHOWN)

NOTE:
PANEL IS REQUIRED
TO BE EMBEDDED
IN APPROVED SEALANT
(BY OTHERS - NOT SHOWN)

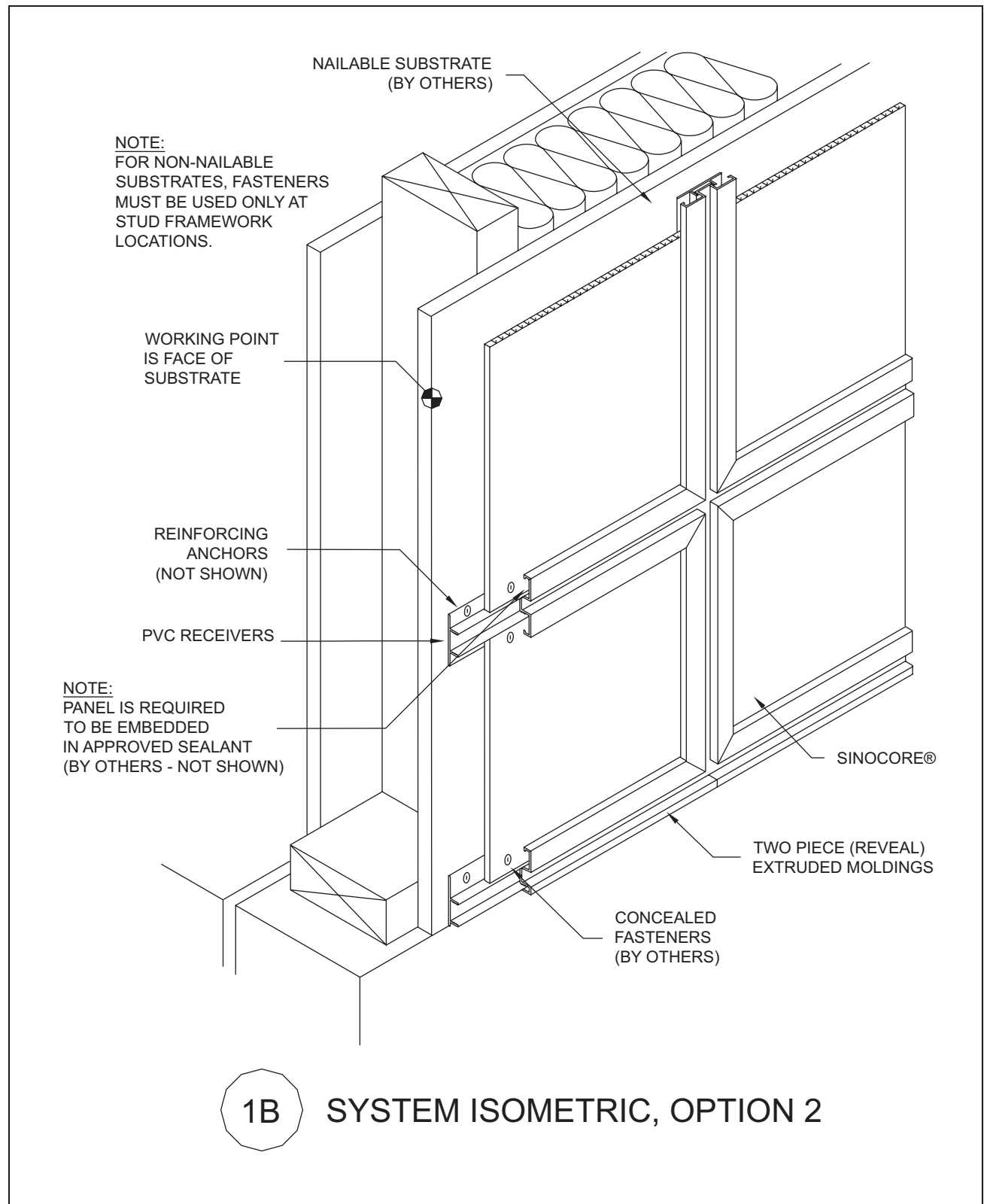


1A

SYSTEM ISOMETRIC, OPTION 1

DRAWING NAME: SIN 2PC 1A System Isometric Option 1.dwg		
SYSTEM: Two Piece Moldings	REVISED: 11/06	SCALE: n/a

Note: This detail represents the latest recommendations from Citadel Architectural Products, Inc. It is presented in good faith and is subject to change without notice. Citadel Architectural Products, Inc. accepts no responsibility for the end use of this detail. For conditions not shown, consult our Technical Staff at (800) 446-8828 for review of specific details.



<p>Note: This detail represents the latest recommendations from Citadel Architectural Products, Inc. It is presented in good faith and is subject to change without notice. Citadel Architectural Products, Inc. accepts no responsibility for the end use of this detail. For conditions not shown, consult our Technical Staff at (800) 446-8828 for review of specific details.</p>	<p>DRAWING NAME: SIN 2PC 1B System Isometric Option 2.dwg</p>		
	<p>SYSTEM: Two Piece Moldings</p>	<p>REVISED: 11/06</p>	<p>SCALE: n/a</p>

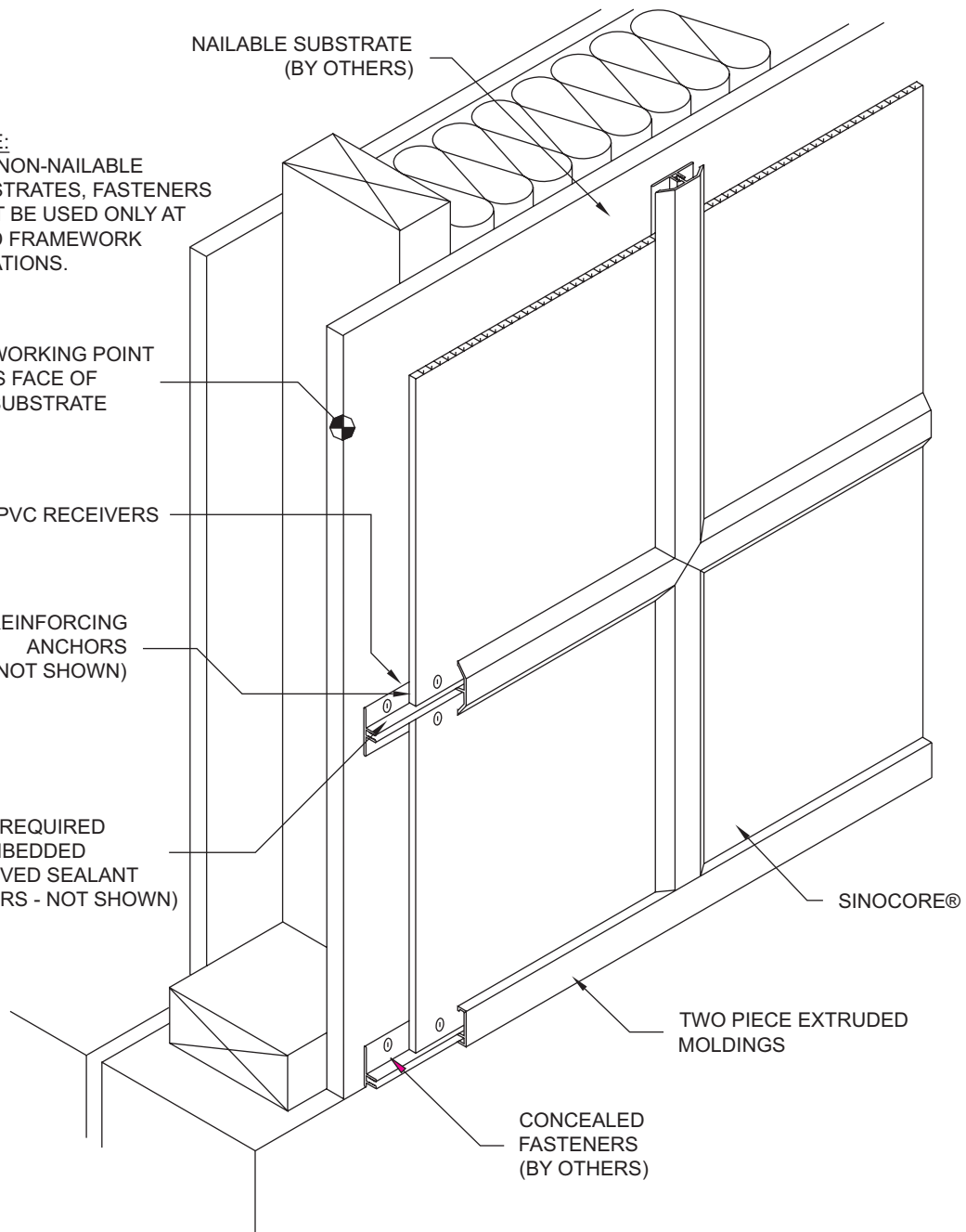
NOTE:
FOR NON-NAILABLE
SUBSTRATES, FASTENERS
MUST BE USED ONLY AT
STUD FRAMEWORK
LOCATIONS.

WORKING POINT
IS FACE OF
SUBSTRATE

PVC RECEIVERS

REINFORCING
ANCHORS
(NOT SHOWN)

NOTE:
PANEL IS REQUIRED
TO BE EMBEDDED
IN APPROVED SEALANT
(BY OTHERS - NOT SHOWN)



1C

SYSTEM ISOMETRIC, OPTION 3

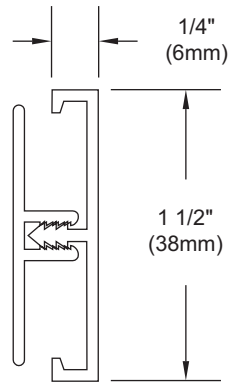
DRAWING NAME:
SIN 2PC 1C System Isometric Option 3.dwg

SYSTEM:
Two Piece Moldings

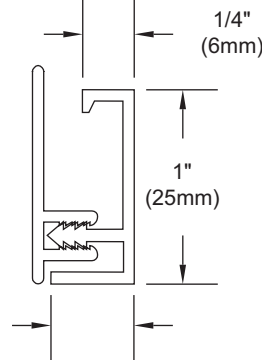
REVISED:
11/06

SCALE:
n/a

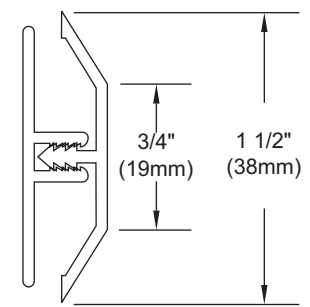
Note: This detail represents the latest recommendations from Citadel Architectural Products, Inc. It is presented in good faith and is subject to change without notice. Citadel Architectural Products, Inc. accepts no responsibility for the end use of this detail. For conditions not shown, consult our Technical Staff at (800) 446-8828 for review of specific details.



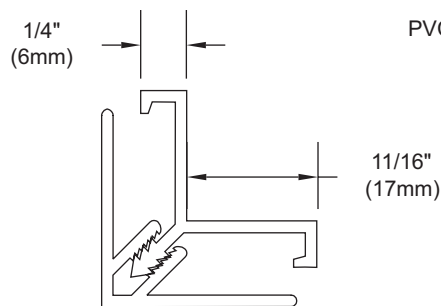
C20-401
HORZ / VERT
SC-8240
PVC RECEIVER



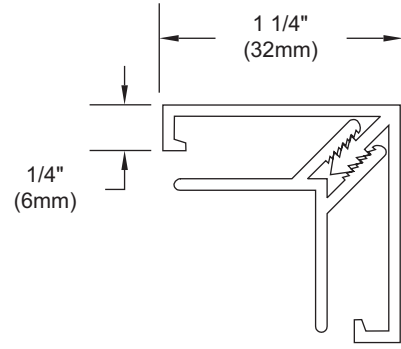
SC-604
PERIMETER J
R20-403
PVC RECEIVER



C20-402
HORZ / VERT
SC-8240
PVC RECEIVER



C20-404
INSIDE CORNER
R20-404
PVC RECEIVER



C20-405
OUTSIDE CORNER
R20-405
PVC RECEIVER



MOLDING DIMENSIONS, PAGE 1

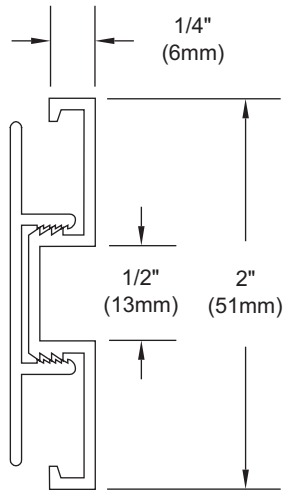
Note: This detail represents the latest recommendations from Citadel Architectural Products, Inc. It is presented in good faith and is subject to change without notice. Citadel Architectural Products, Inc. accepts no responsibility for the end use of this detail. For conditions not shown, consult our Technical Staff at (800) 446-8828 for review of specific details.

DRAWING NAME:
SIN 2PC 2A Molding Dimensions Page 1.dwg

SYSTEM:
Two Piece Moldings

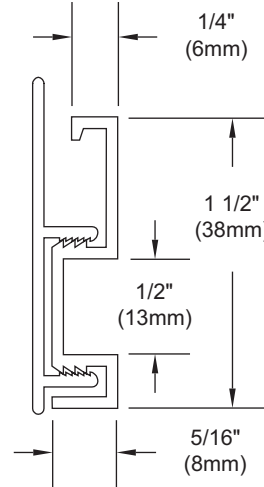
REVISED:
11/06

SCALE:
1:1



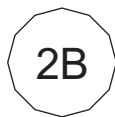
C20-406
HORZ / VERT

R20-406
PVC RECEIVER



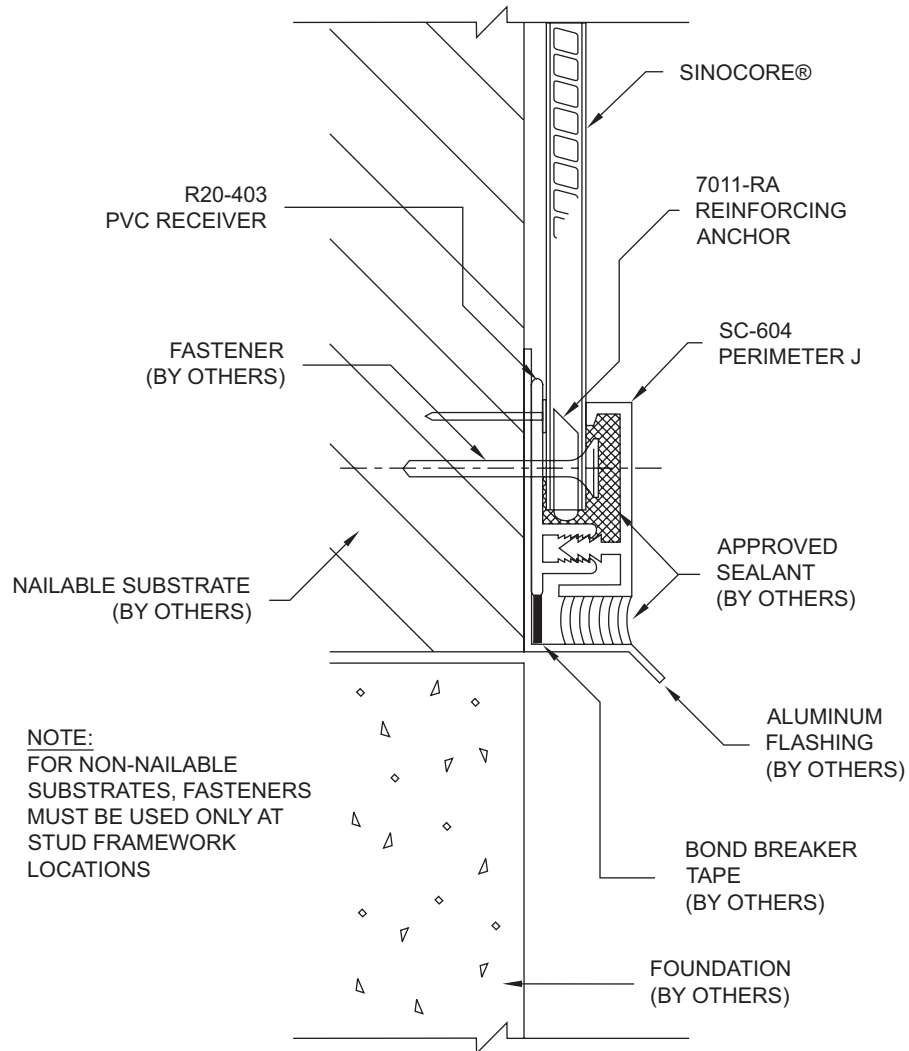
C20-407
PERIMETER J

R20-407
PVC RECEIVER



MOLDING DIMENSIONS, PAGE 2

DRAWING NAME: SIN 2PC 2B Molding Dimensions Page 2.dwg			Note: This detail represents the latest recommendations from Citadel Architectural Products, Inc. It is presented in good faith and is subject to change without notice. Citadel Architectural Products, Inc. accepts no responsibility for the end use of this detail. For conditions not shown, consult our Technical Staff at (800) 446-8828 for review of specific details.
SYSTEM: Two Piece Moldings	REVISED: 11/06	SCALE: 1:1	



3A

BASE / FOUNDATION, OPTION 1

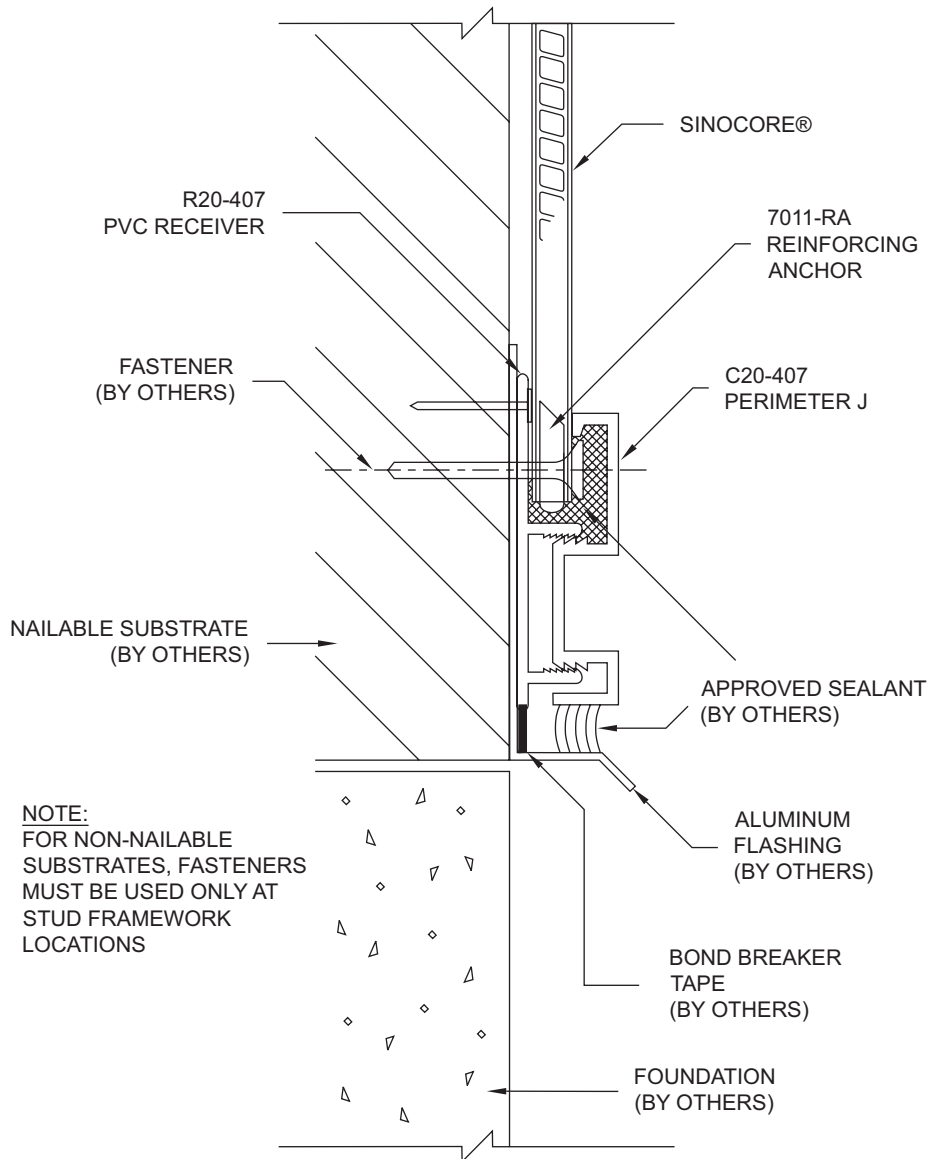
Note: This detail represents the latest recommendations from Citadel Architectural Products, Inc. It is presented in good faith and is subject to change without notice. Citadel Architectural Products, Inc. accepts no responsibility for the end use of this detail. For conditions not shown, consult our Technical Staff at (800) 446-8828 for review of specific details.

DRAWING NAME:
SIN 2PC 3A Base Foundation Option 1.dwg

SYSTEM:
Two Piece Moldings

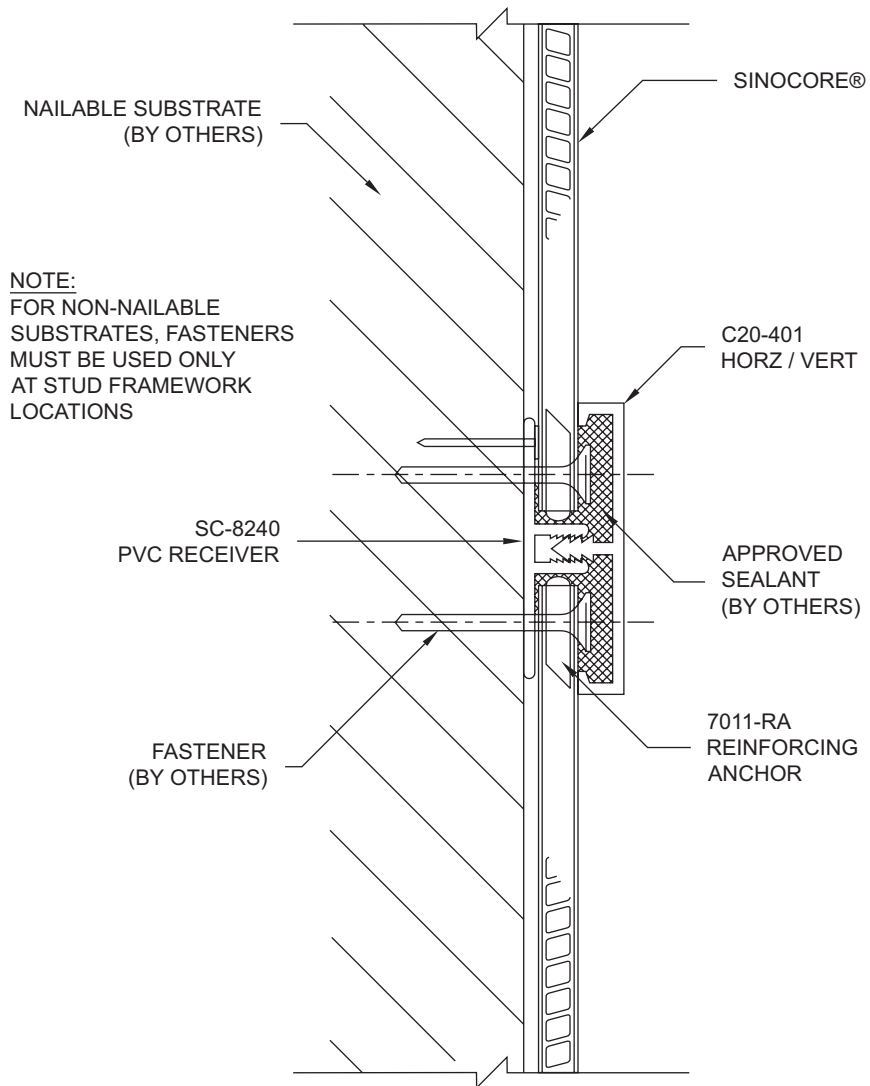
REVISED:
11/06

SCALE:
1:1



3B BASE / FOUNDATION, OPTION 2

DRAWING NAME: SIN 2PC 3B Base Foundation Option 2.dwg			Note: This detail represents the latest recommendations from Citadel Architectural Products, Inc. It is presented in good faith and is subject to change without notice. Citadel Architectural Products, Inc. accepts no responsibility for the end use of this detail. For conditions not shown, consult our Technical Staff at (800) 446-8828 for review of specific details.
SYSTEM: Two Piece Moldings	REVISED: 11/06	SCALE: 1:1	



4A

HORIZONTAL / VERTICAL, OPTION 1

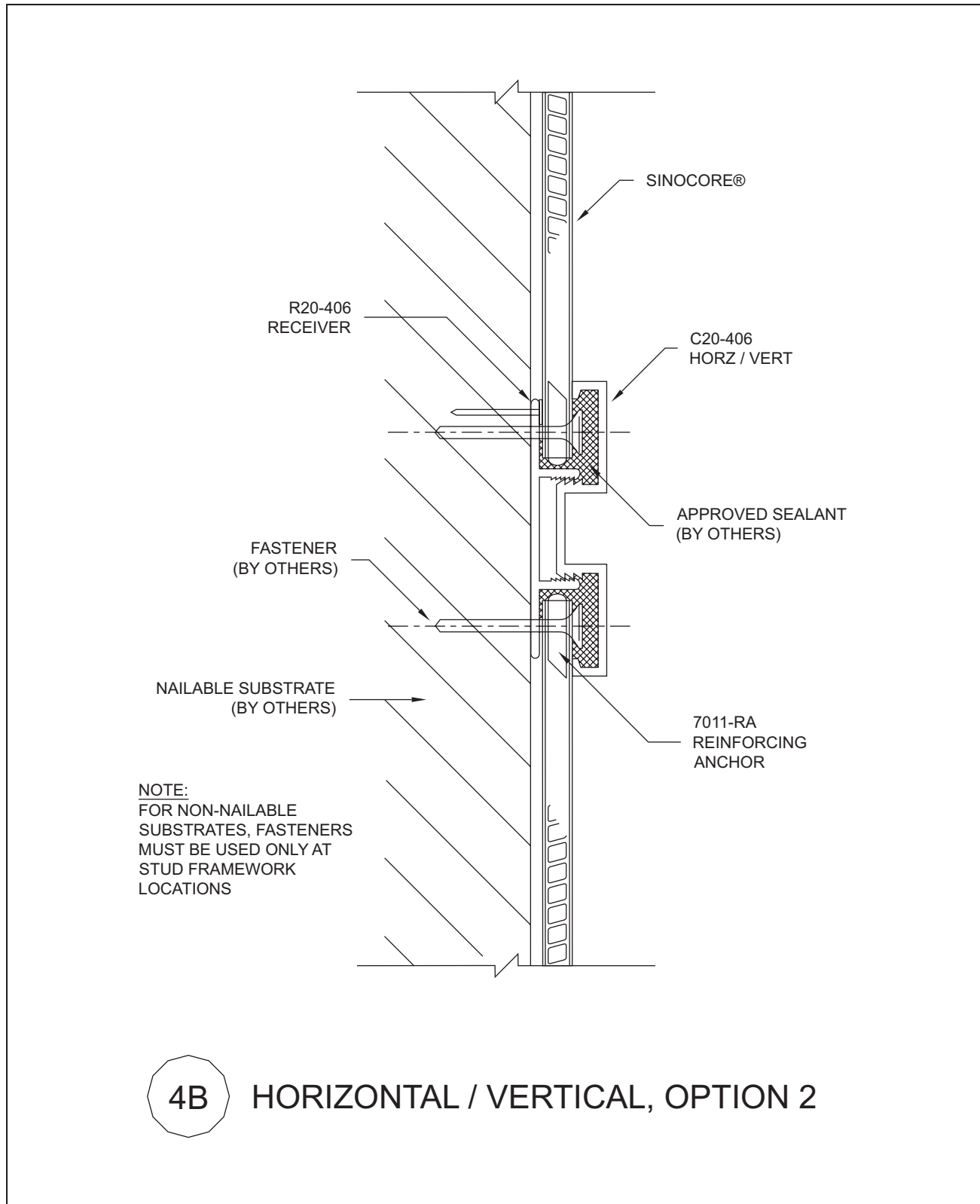
Note: This detail represents the latest recommendations from Citadel Architectural Products, Inc. It is presented in good faith and is subject to change without notice. Citadel Architectural Products, Inc. accepts no responsibility for the end use of this detail. For conditions not shown, consult our Technical Staff at (800) 446-8828 for review of specific details.

DRAWING NAME:
SIN 2PC 4A Horizontal Vertical Option 1.dwg

SYSTEM:
Two Piece Moldings

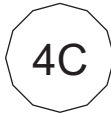
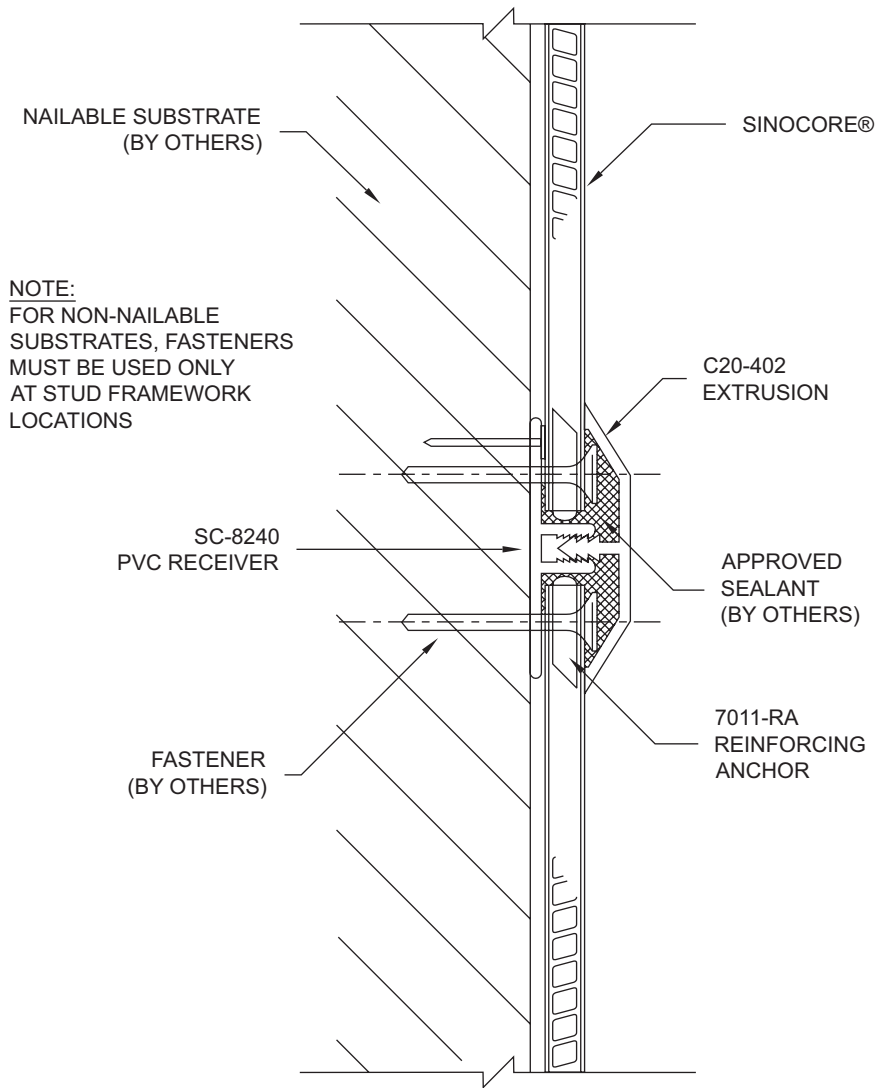
REVISED:
11/06

SCALE:
1:1



4B
HORIZONTAL / VERTICAL, OPTION 2

DRAWING NAME: SIN 2PC 4B Horizontal Vertical Option 2.dwg			Note: This detail represents the latest recommendations from Citadel Architectural Products, Inc. It is presented in good faith and is subject to change without notice. Citadel Architectural Products, Inc. accepts no responsibility for the end use of this detail. For conditions not shown, consult our Technical Staff at (800) 446-8828 for review of specific details.
SYSTEM: Two Piece Moldings	REVISED: 11/06	SCALE: 1:1	



4C HORIZONTAL / VERTICAL, OPTION 3

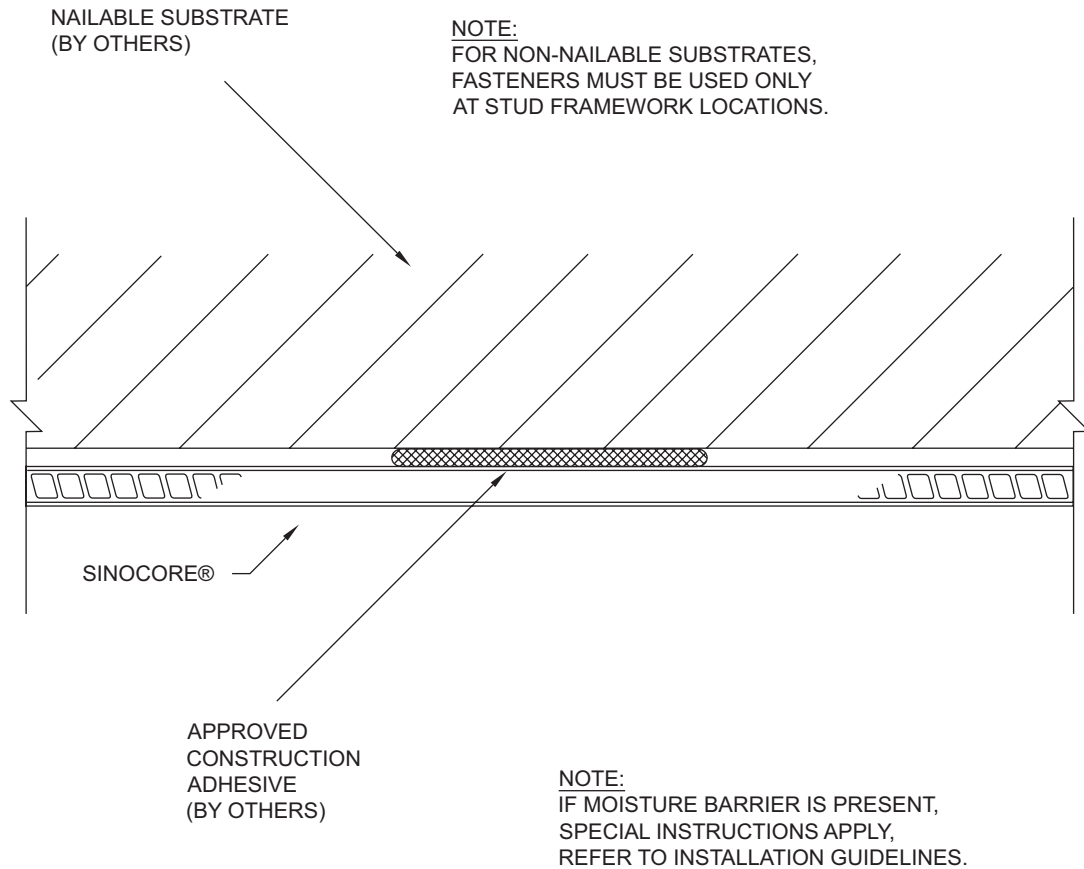
Note: This detail represents the latest recommendations from Citadel Architectural Products, Inc. It is presented in good faith and is subject to change without notice. Citadel Architectural Products, Inc. accepts no responsibility for the end use of this detail. For conditions not shown, consult our Technical Staff at (800) 446-8828 for review of specific details.

DRAWING NAME:
SIN 2PC 4C Horizontal Vertical Option 3.dwg

SYSTEM:
Two Piece Moldings

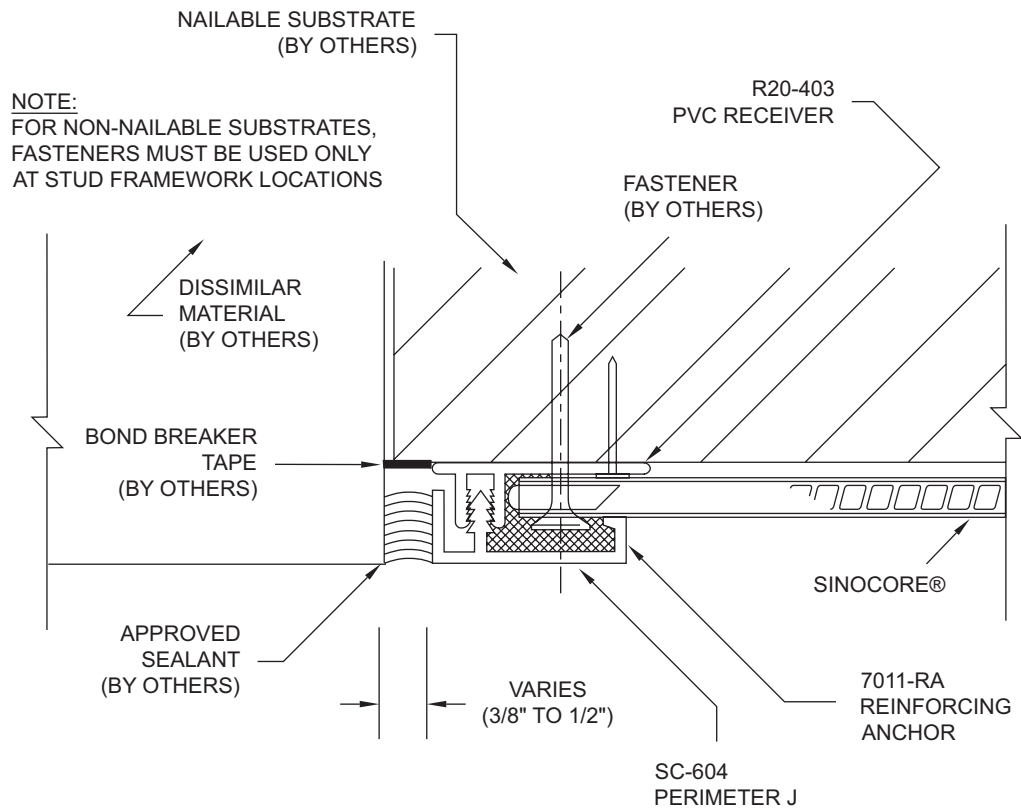
REVISED:
11/06

SCALE:
1:1



5 INTERMEDIATE CONNECTION

DRAWING NAME: SIN 2PC 5 Intermediate Connection.dwg			Note: This detail represents the latest recommendations from Citadel Architectural Products, Inc. It is presented in good faith and is subject to change without notice. Citadel Architectural Products, Inc. accepts no responsibility for the end use of this detail. For conditions not shown, consult our Technical Staff at (800) 446-8828 for review of specific details.
SYSTEM: Two Piece Moldings	REVISED: 11/06	SCALE: 1:1	



NOTE:
FOR NON-NAILABLE SUBSTRATES,
FASTENERS MUST BE USED ONLY
AT STUD FRAMEWORK LOCATIONS

6A DISSIMILAR MATERIAL, OPTION 1

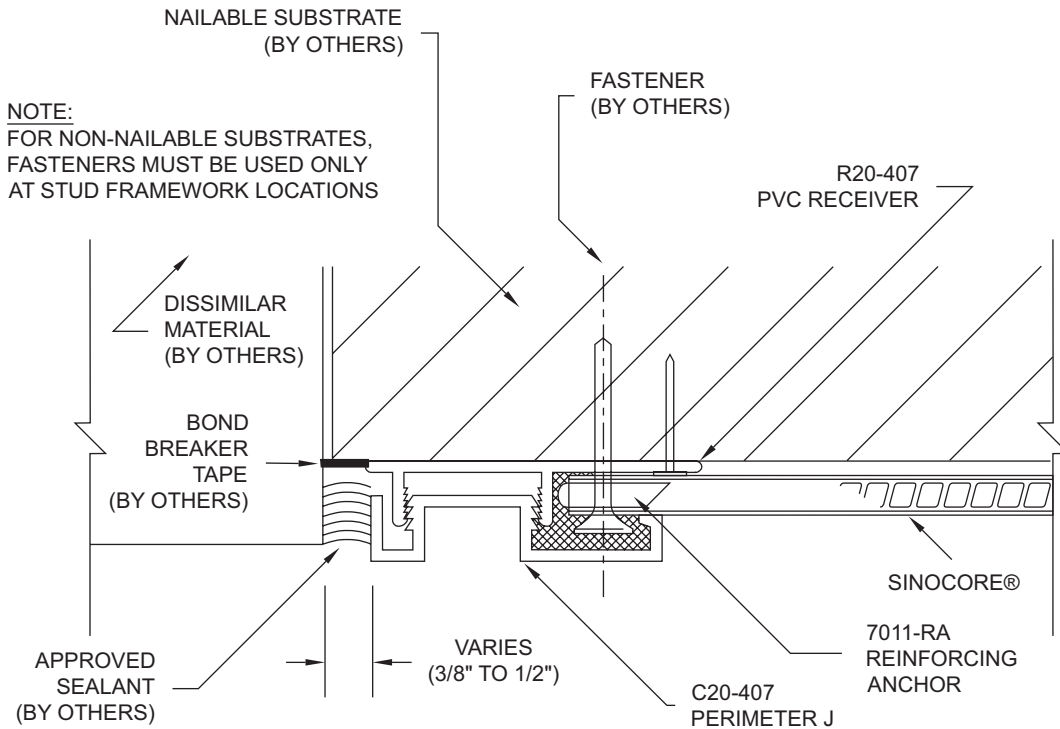
Note: This detail represents the latest recommendations from Citadel Architectural Products, Inc. It is presented in good faith and is subject to change without notice. Citadel Architectural Products, Inc. accepts no responsibility for the end use of this detail. For conditions not shown, consult our Technical Staff at (800) 446-8828 for review of specific details.

DRAWING NAME:
SIN 2PC 6A Dissimilar Material Option 1.dwg

SYSTEM:
Two Piece Moldings

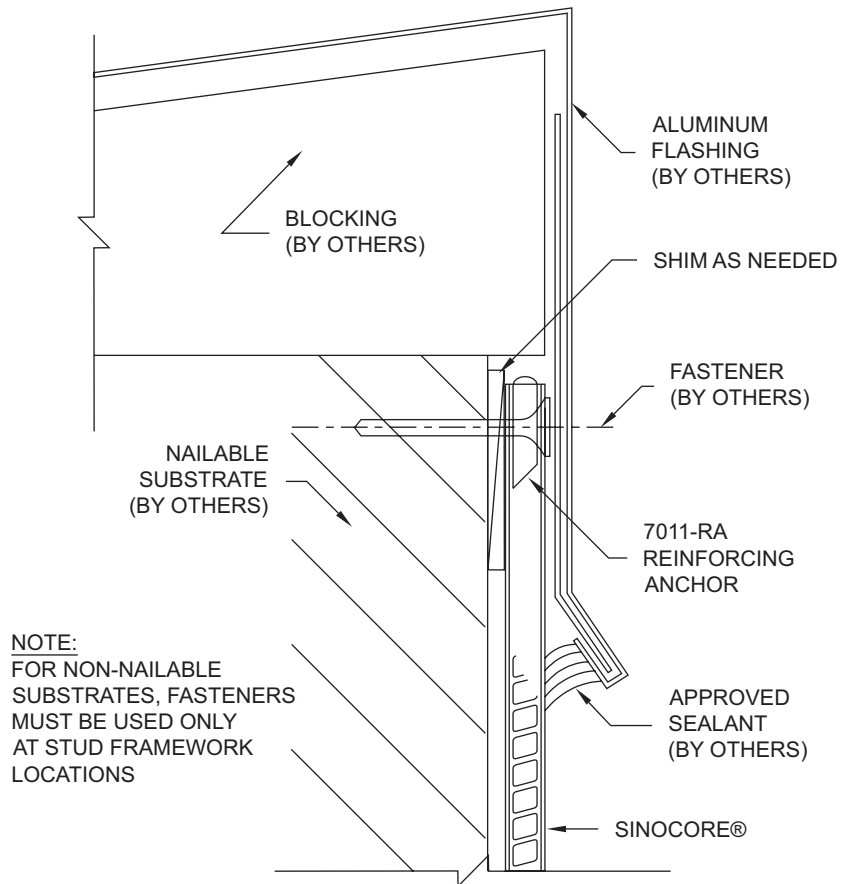
REVISED:
11/06

SCALE:
1:1



6B DISSIMILAR MATERIAL, OPTION 2

<p>DRAWING NAME: SIN 2PC 6B Dissimilar Material Option 2.dwg</p>			<p>Note: This detail represents the latest recommendations from Citadel Architectural Products, Inc. It is presented in good faith and is subject to change without notice. Citadel Architectural Products, Inc. accepts no responsibility for the end use of this detail. For conditions not shown, consult our Technical Staff at (800) 446-8828 for review of specific details.</p>
<p>SYSTEM: Two Piece Moldings</p>	<p>REVISED: 11/06</p>	<p>SCALE: 1:1</p>	



7 PARAPET

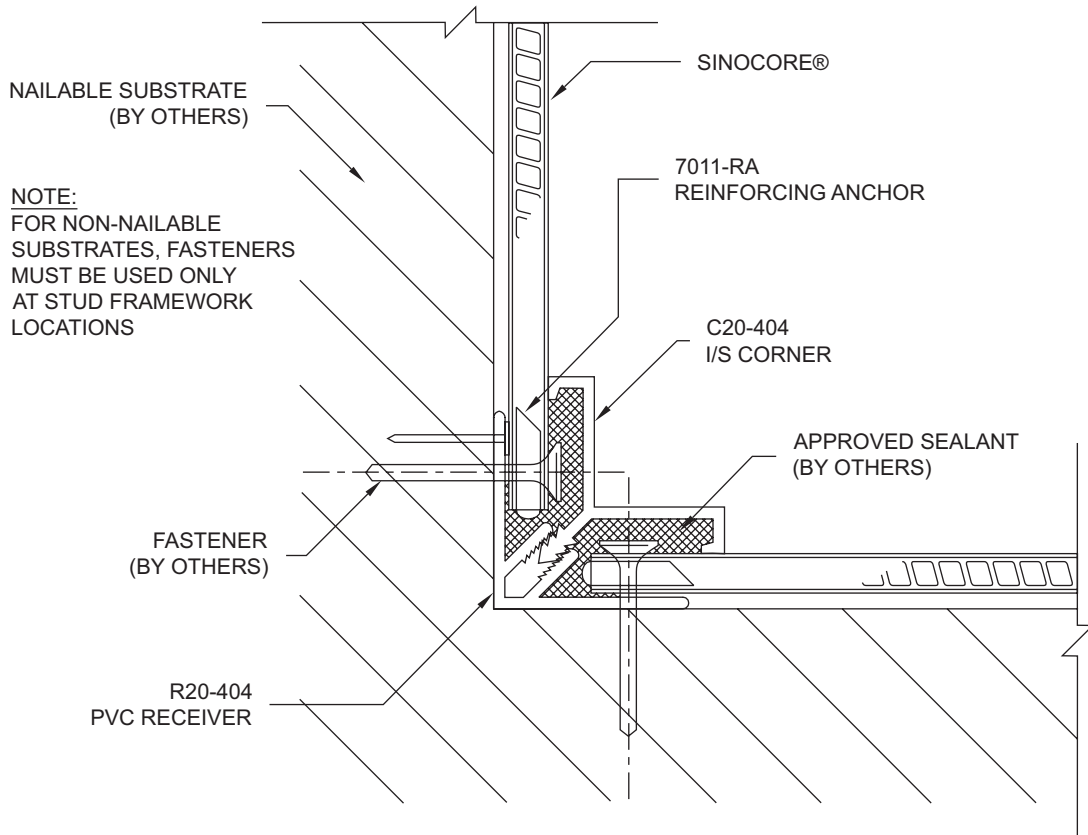
Note: This detail represents the latest recommendations from Citadel Architectural Products, Inc. It is presented in good faith and is subject to change without notice. Citadel Architectural Products, Inc. accepts no responsibility for the end use of this detail. For conditions not shown, consult our Technical Staff at (800) 446-8828 for review of specific details.

DRAWING NAME:
SIN 2PC 7 Parapet.dwg

SYSTEM:
Two Piece Moldings

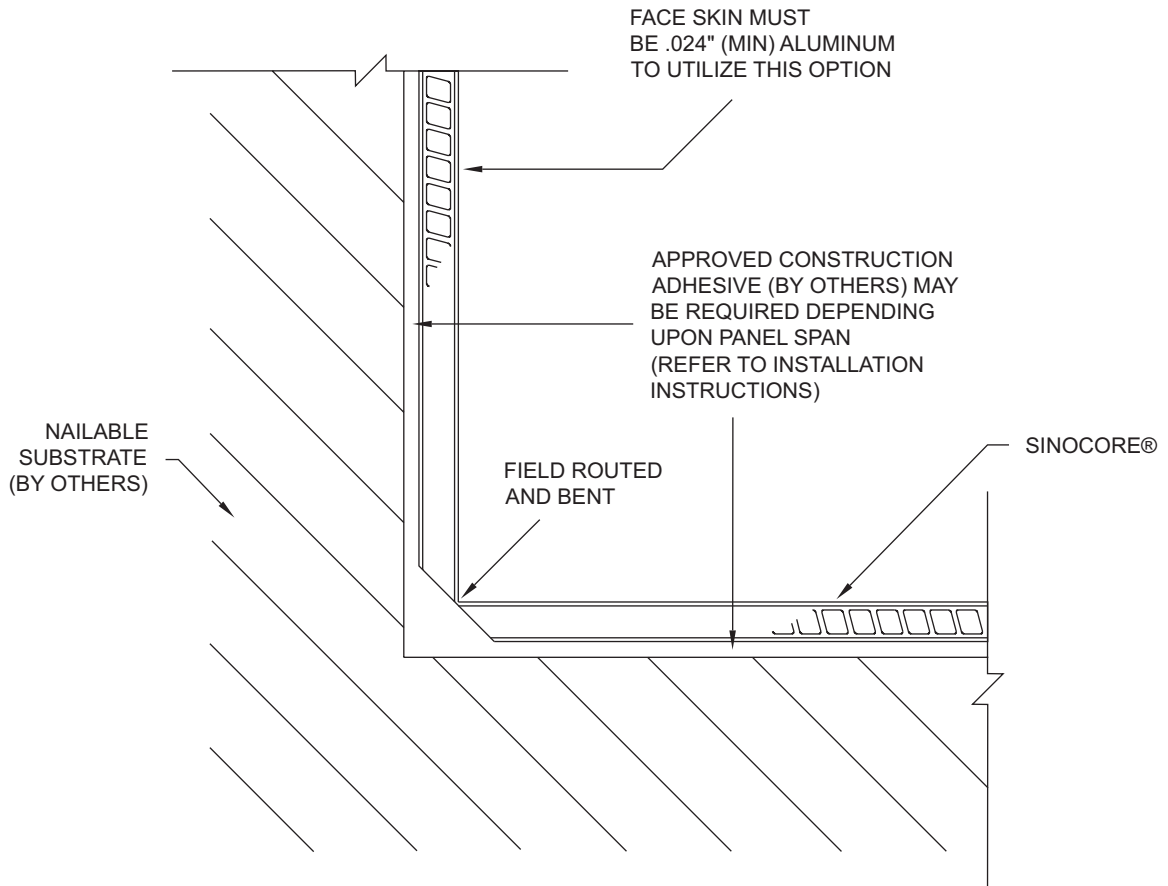
REVISED:
11/06

SCALE:
1:1



8A INSIDE CORNER, OPTION 1

DRAWING NAME: SIN 2PC 8A Inside Corner Option 1.dwg			Note: This detail represents the latest recommendations from Citadel Architectural Products, Inc. It is presented in good faith and is subject to change without notice. Citadel Architectural Products, Inc. accepts no responsibility for the end use of this detail. For conditions not shown, consult our Technical Staff at (800) 446-8828 for review of specific details.
SYSTEM: Two Piece Moldings	REVISED: 11/06	SCALE: 1:1	



8B INSIDE CORNER, OPTION 2

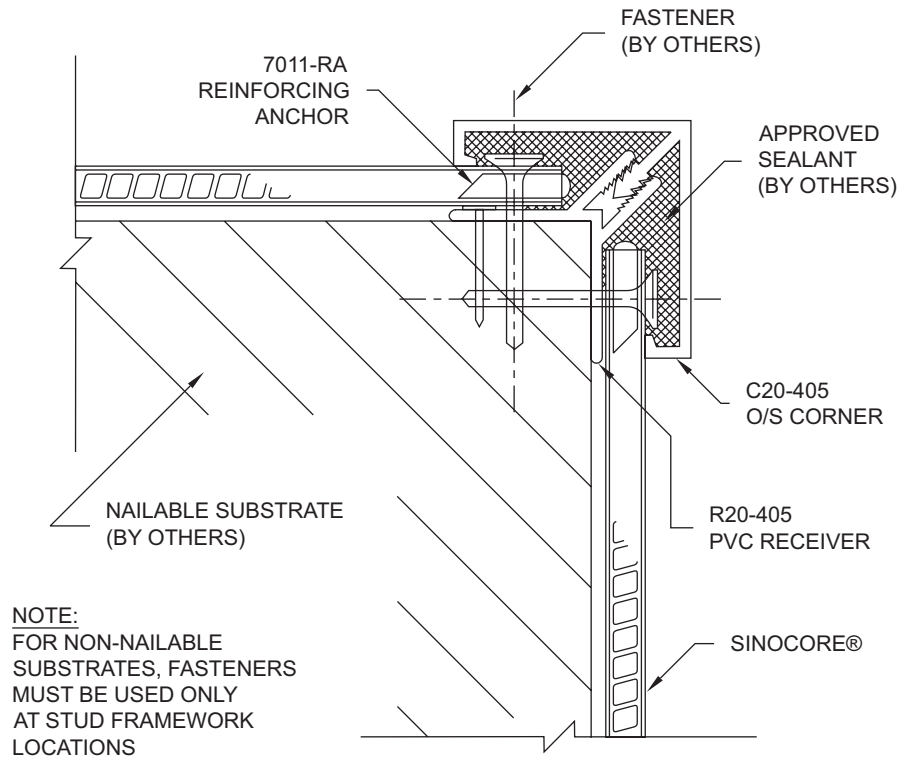
Note: This detail represents the latest recommendations from Citadel Architectural Products, Inc. It is presented in good faith and is subject to change without notice. Citadel Architectural Products, Inc. accepts no responsibility for the end use of this detail. For conditions not shown, consult our Technical Staff at (800) 446-8828 for review of specific details.

DRAWING NAME:
SIN 2PC 8B Inside Corner Option 2.dwg

SYSTEM:
Two Piece Moldings

REVISED:
11/06

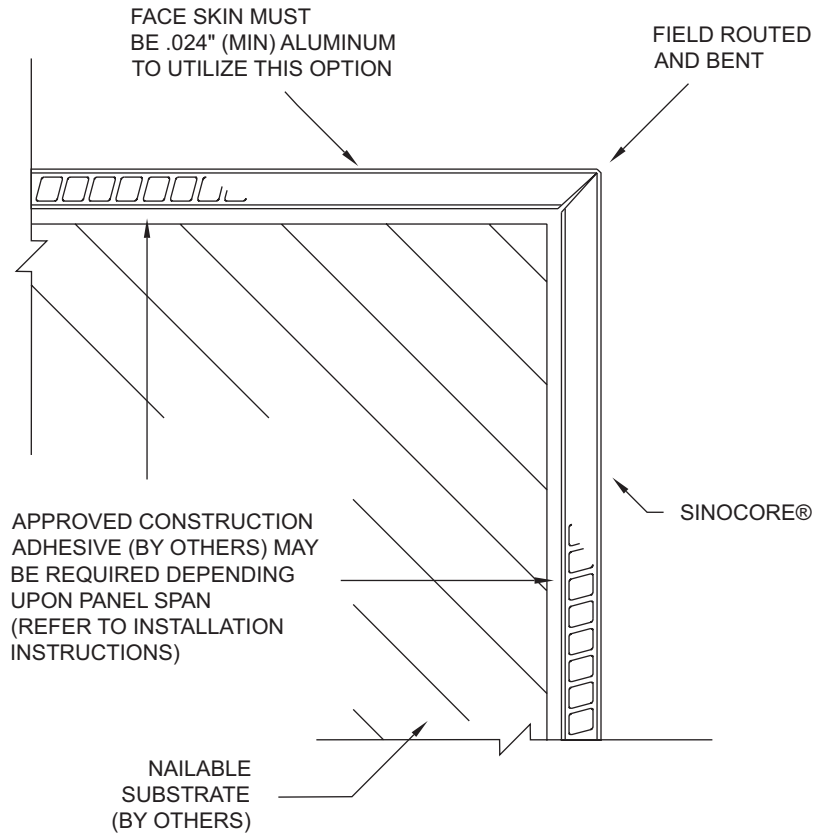
SCALE:
1:1



9A

OUTSIDE CORNER, OPTION 1

<p>DRAWING NAME: SIN 2PC 9A Outside Corner Option 1.dwg</p>			<p>Note: This detail represents the latest recommendations from Citadel Architectural Products, Inc. It is presented in good faith and is subject to change without notice. Citadel Architectural Products, Inc. accepts no responsibility for the end use of this detail. For conditions not shown, consult our Technical Staff at (800) 446-8828 for review of specific details.</p>
<p>SYSTEM: Two Piece Moldings</p>	<p>REVISED: 11/06</p>	<p>SCALE: 1:1</p>	



9B OUTSIDE CORNER, OPTION 2

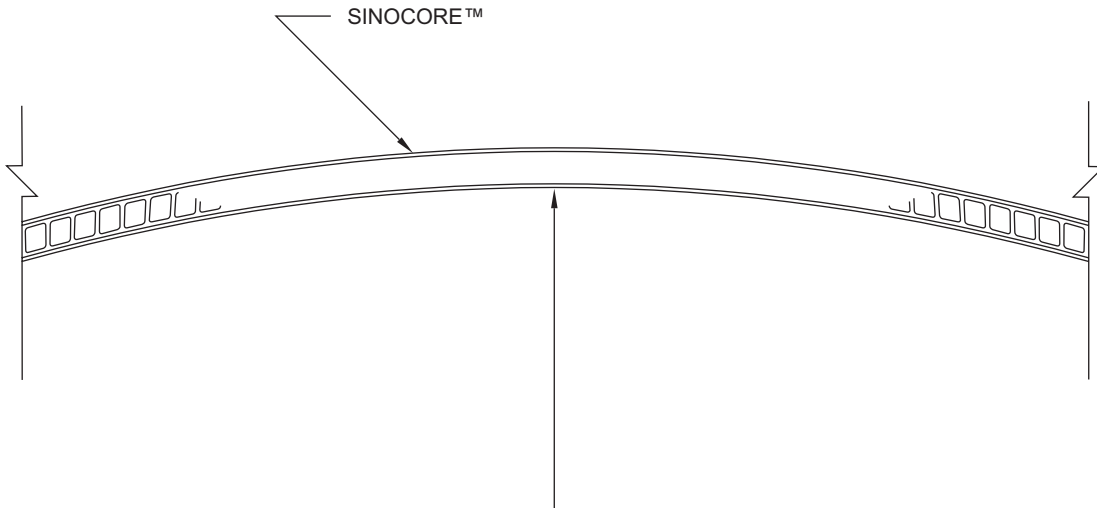
Note: This detail represents the latest recommendations from Citadel Architectural Products, Inc. It is presented in good faith and is subject to change without notice. Citadel Architectural Products, Inc. accepts no responsibility for the end use of this detail. For conditions not shown, consult our Technical Staff at (800) 446-8828 for review of specific details.

DRAWING NAME:
SIN 2PC 9B Outside Corner Option 2.dwg

SYSTEM:
Two Piece Moldings

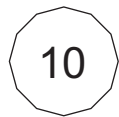
REVISED:
11/06

SCALE:
1:1



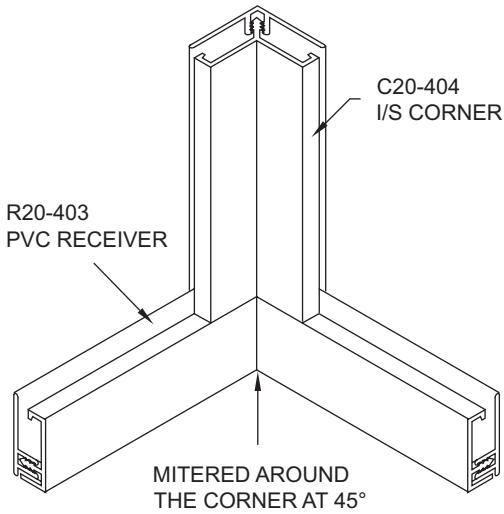
NOTE:
 PANELS AND MOLDINGS CAN
 BE EITHER CURVED IN THE
 FIELD OR FACTORY CURVED,
 DEPENDING ON RADIUS DESIRED.
 CONTACT CITADEL WITH SPECIFIC
 PROJECT REQUIREMENTS.

FOR COLUMN COVERS,
 PLEASE REFER TO THE
 ENVELOPE 2000® RR SYSTEM.

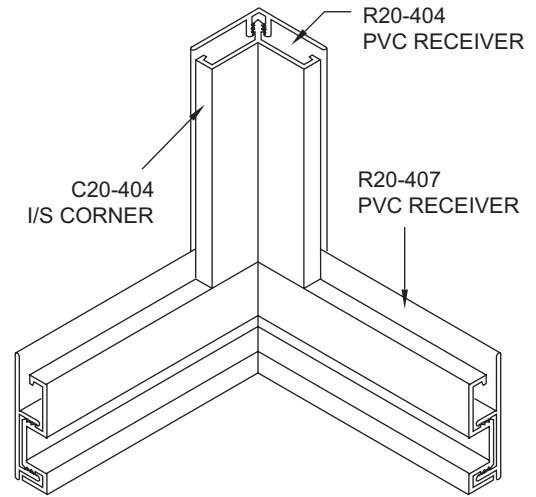


CURVED SECTION

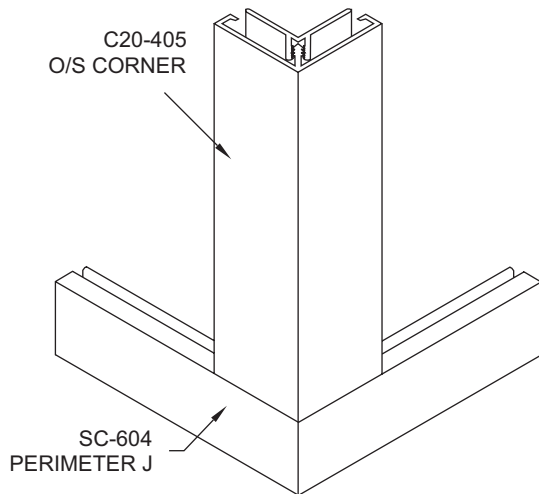
DRAWING NAME: SIN 2PC 10 Curved Section.dwg			Note: This detail represents the latest recommendations from Citadel Architectural Products, Inc. It is presented in good faith and is subject to change without notice. Citadel Architectural Products, Inc. accepts no responsibility for the end use of this detail. For conditions not shown, consult our Technical Staff at (800) 446-8828 for review of specific details.
SYSTEM: Two Piece Moldings	REVISED: 11/06	SCALE: n/a	



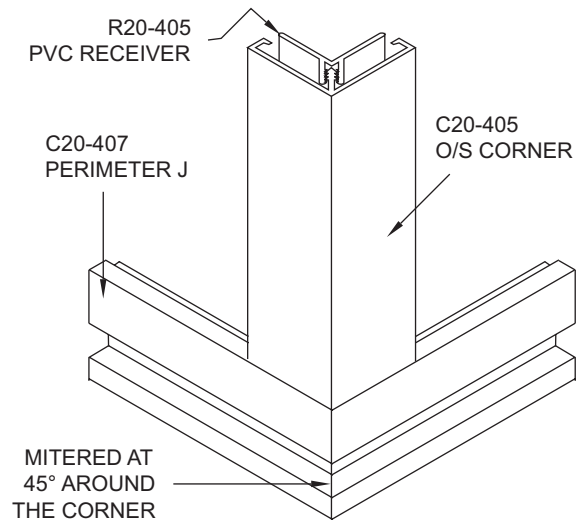
11A BASE INSIDE CORNER, OPTION 1



11B BASE INSIDE CORNER, OPTION 2



12A BASE OUTSIDE CORNER, OPTION 1



12B BASE OUTSIDE CORNER, OPTION 2

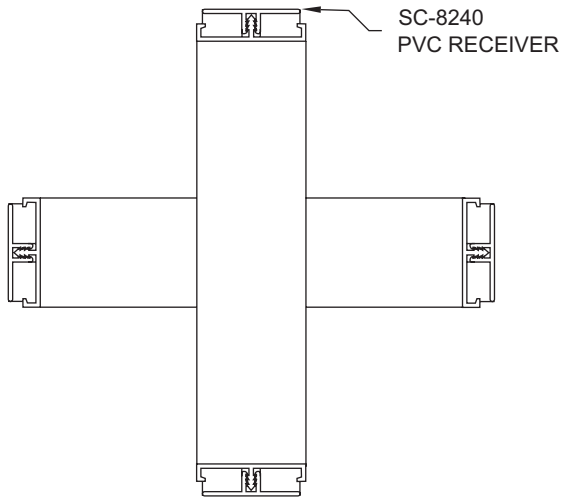
Note: This detail represents the latest recommendations from Citadel Architectural Products, Inc. It is presented in good faith and is subject to change without notice. Citadel Architectural Products, Inc. accepts no responsibility for the end use of this detail. For conditions not shown, consult our Technical Staff at (800) 446-8828 for review of specific details.

DRAWING NAME:
SIN 2PC Intersections 11A To 12B.dwg

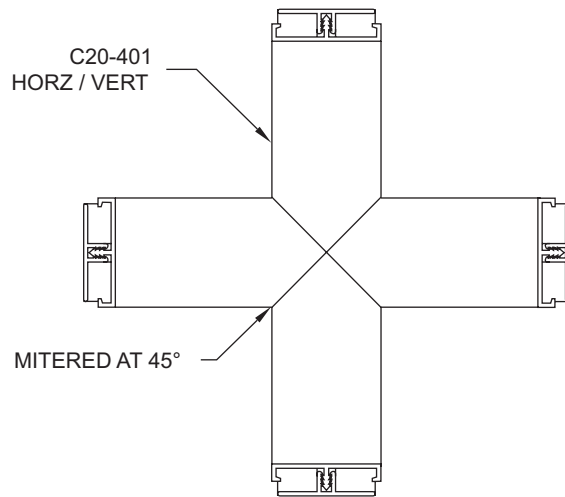
SYSTEM:
Two Piece Moldings

REVISED:
11/06

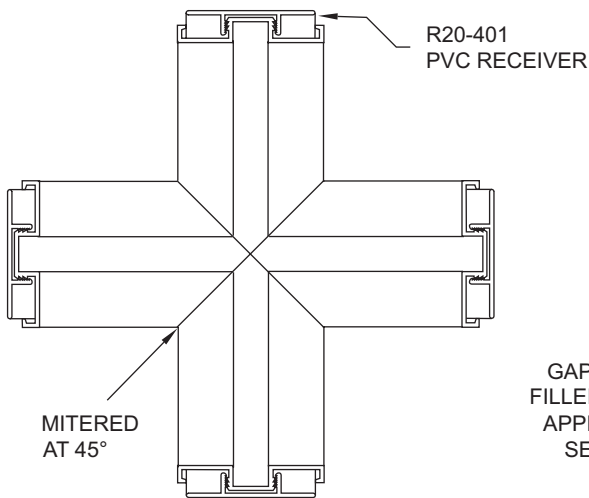
SCALE:
n/a



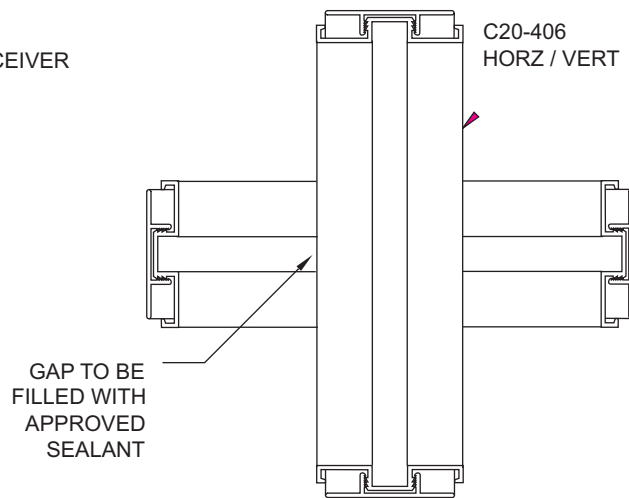
13A HORIZONTAL / VERTICAL, OPTION 1



13B HORIZONTAL / VERTICAL, OPTION 2



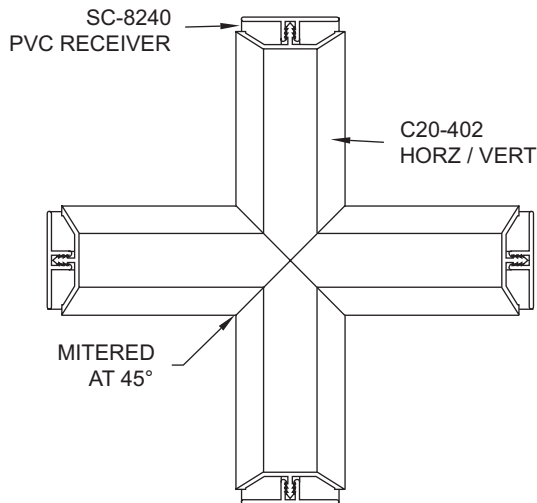
13C HORIZONTAL / VERTICAL, OPTION 3



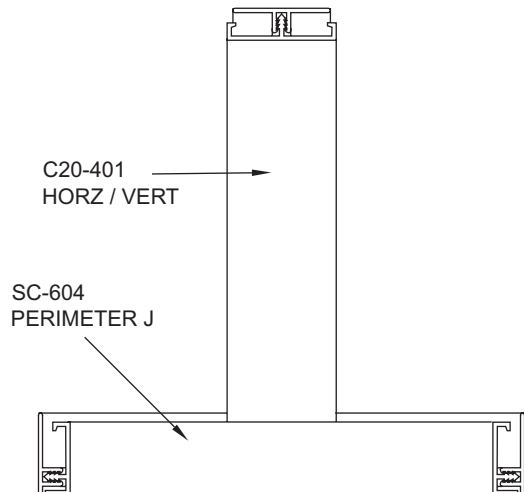
13D HORIZONTAL / VERTICAL, OPTION 4

DRAWING NAME: SIN 2PC Intersections 13A To 13D.dwg		
SYSTEM: Two Piece Moldings	REVISED: 11/06	SCALE: n/a

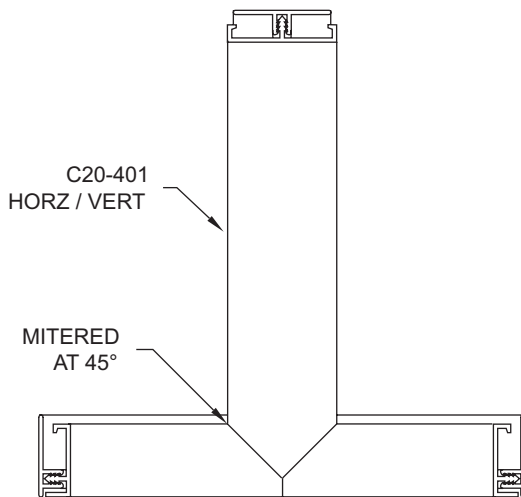
Note: This detail represents the latest recommendations from Citadel Architectural Products, Inc. It is presented in good faith and is subject to change without notice. Citadel Architectural Products, Inc. accepts no responsibility for the end use of this detail. For conditions not shown, consult our Technical Staff at (800) 446-8828 for review of specific details.



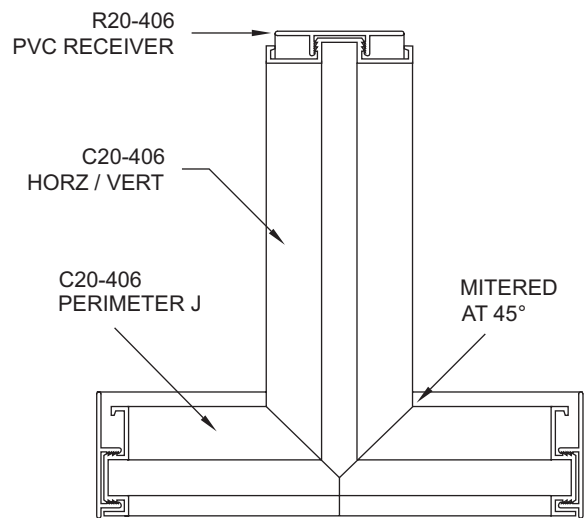
13E HORIZONTAL / VERTICAL, OPTION 5



14A HORZ / VERT TERMINATION, OPTION 1



14B HORZ / VERT TERMINATION, OPTION 2



14C HORZ / VERT TERMINATION, OPTION 3

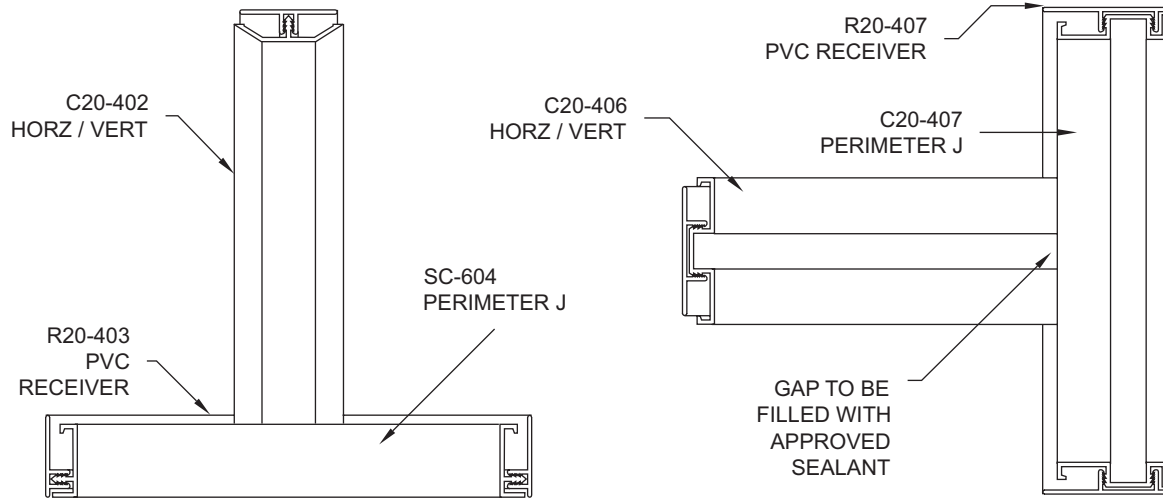
Note: This detail represents the latest recommendations from Citadel Architectural Products, Inc. It is presented in good faith and is subject to change without notice. Citadel Architectural Products, Inc. accepts no responsibility for the end use of this detail. For conditions not shown, consult our Technical Staff at (800) 446-8828 for review of specific details.

DRAWING NAME:
SIN 2PC Intersections 13E To 14C.dwg

SYSTEM:
Two Piece Moldings

REVISED:
11/06

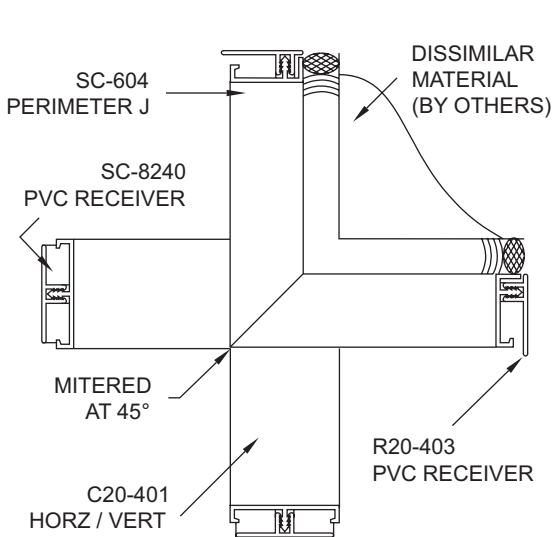
SCALE:
n/a



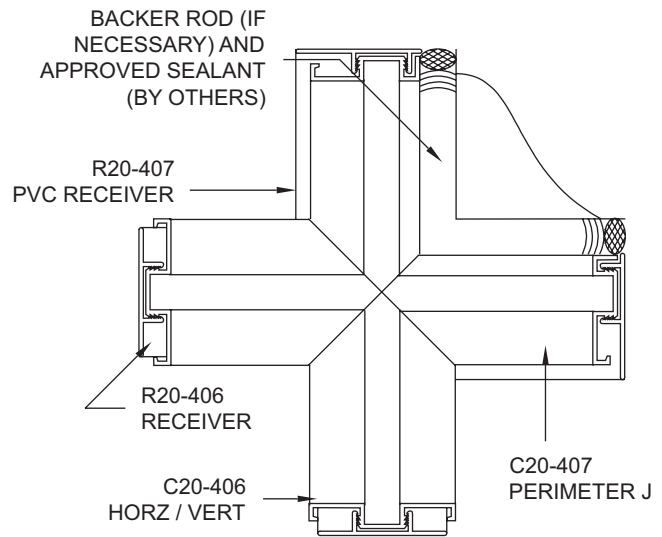
14D HORZ / VERT TERMINATION, OPTION 4

15 HORIZONTAL TERMINATION ONLY

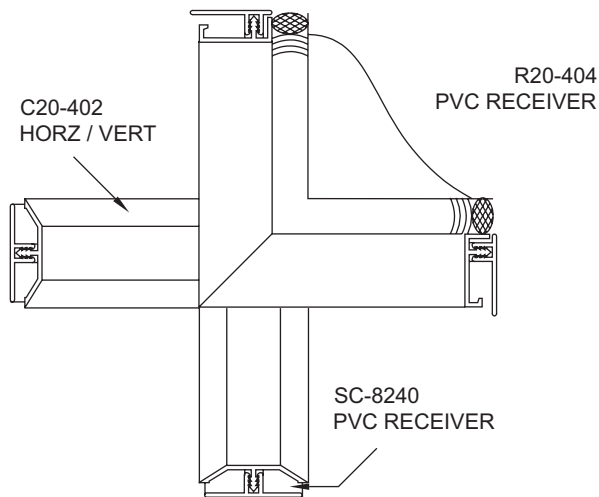
DRAWING NAME: SIN 2PC Intersections 14D To 15.dwg			Note: This detail represents the latest recommendations from Citadel Architectural Products, Inc. It is presented in good faith and is subject to change without notice. Citadel Architectural Products, Inc. accepts no responsibility for the end use of this detail. For conditions not shown, consult our Technical Staff at (800) 446-8828 for review of specific details.
SYSTEM: Two Piece Moldings	REVISED: 11/06	SCALE: n/a	



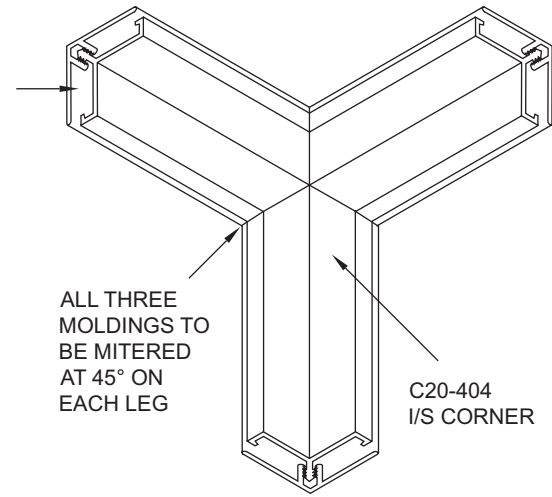
16A DISSIMILAR MATERIAL CORNER, OPT. 1



16B DISSIMILAR MATERIAL CORNER, OPT. 2



16C DISSIMILAR MATERIAL CORNER, OPT. 3



17 THREE WAY INSIDE CORNER

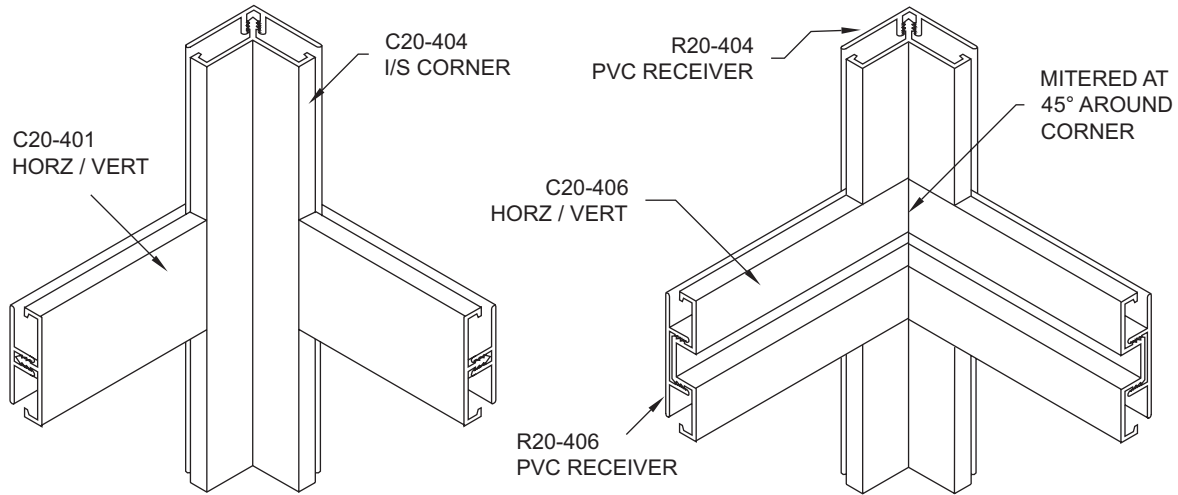
Note: This detail represents the latest recommendations from Citadel Architectural Products, Inc. It is presented in good faith and is subject to change without notice. Citadel Architectural Products, Inc. accepts no responsibility for the end use of this detail. For conditions not shown, consult our Technical Staff at (800) 446-8828 for review of specific details.

DRAWING NAME:
SIN 2PC Intersections 16A To 17.dwg

SYSTEM:
Two Piece Moldings

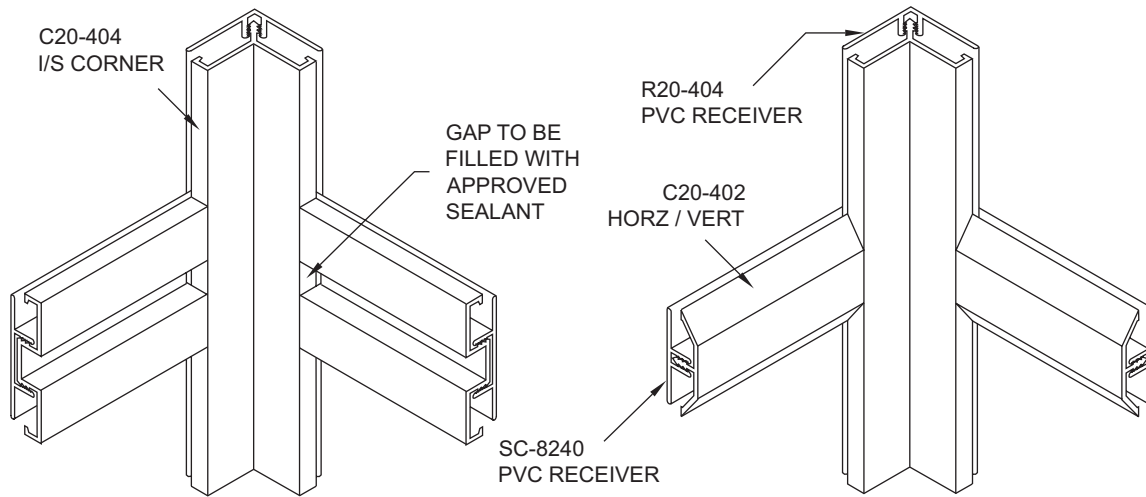
REVISED:
11/06

SCALE:
n/a



18A INSIDE CORNER, OPTION 1

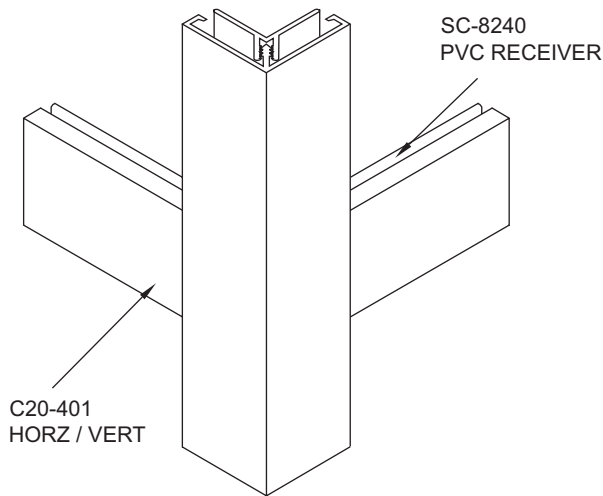
18B INSIDE CORNER, OPTION 2



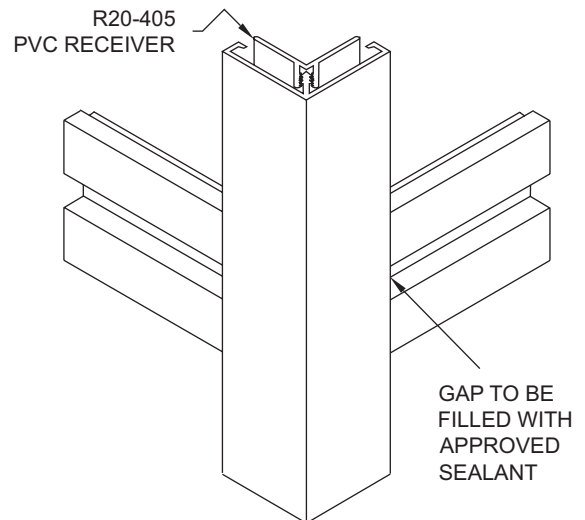
18C INSIDE CORNER, OPTION 3

18D INSIDE CORNER, OPTION 4

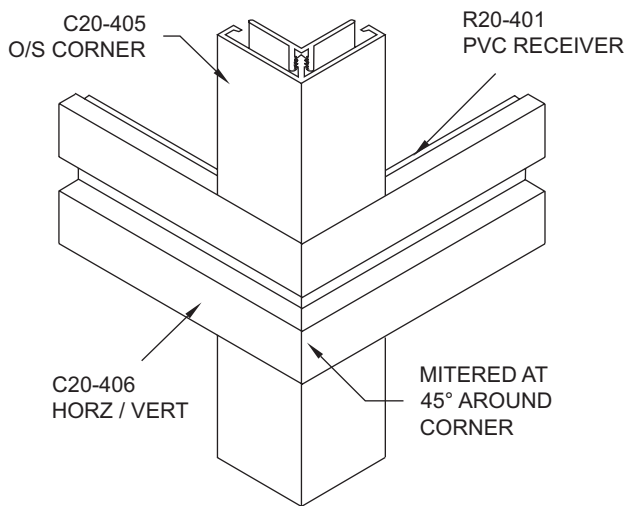
<p>DRAWING NAME: SIN 2PC Intersections 18A To 18D.dwg</p>			<p>Note: This detail represents the latest recommendations from Citadel Architectural Products, Inc. It is presented in good faith and is subject to change without notice. Citadel Architectural Products, Inc. accepts no responsibility for the end use of this detail. For conditions not shown, consult our Technical Staff at (800) 446-8828 for review of specific details.</p>
<p>SYSTEM: Two Piece Moldings</p>	<p>REVISED: 11/06</p>	<p>SCALE: n/a</p>	



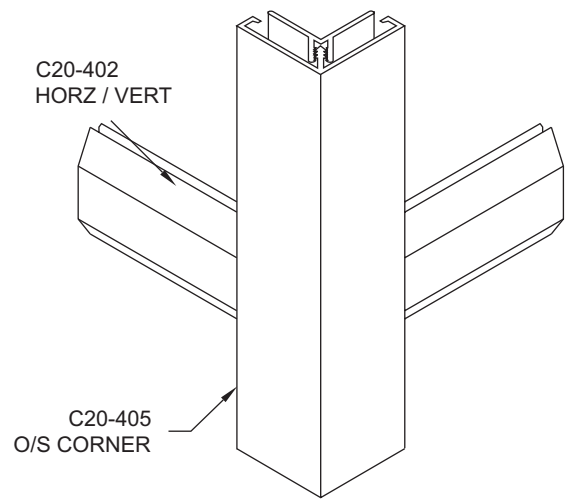
19A OUTSIDE CORNER, OPTION 1



19B OUTSIDE CORNER, OPTION 2



19C OUTSIDE CORNER, OPTION 3



19D OUTSIDE CORNER, OPTION 4

Note: This detail represents the latest recommendations from Citadel Architectural Products, Inc. It is presented in good faith and is subject to change without notice. Citadel Architectural Products, Inc. accepts no responsibility for the end use of this detail. For conditions not shown, consult our Technical Staff at (800) 446-8828 for review of specific details.

DRAWING NAME:
SIN 2PC Intersections 19A To 19D.dwg

SYSTEM:
Two Piece Moldings

REVISED:
11/06

SCALE:
n/a

