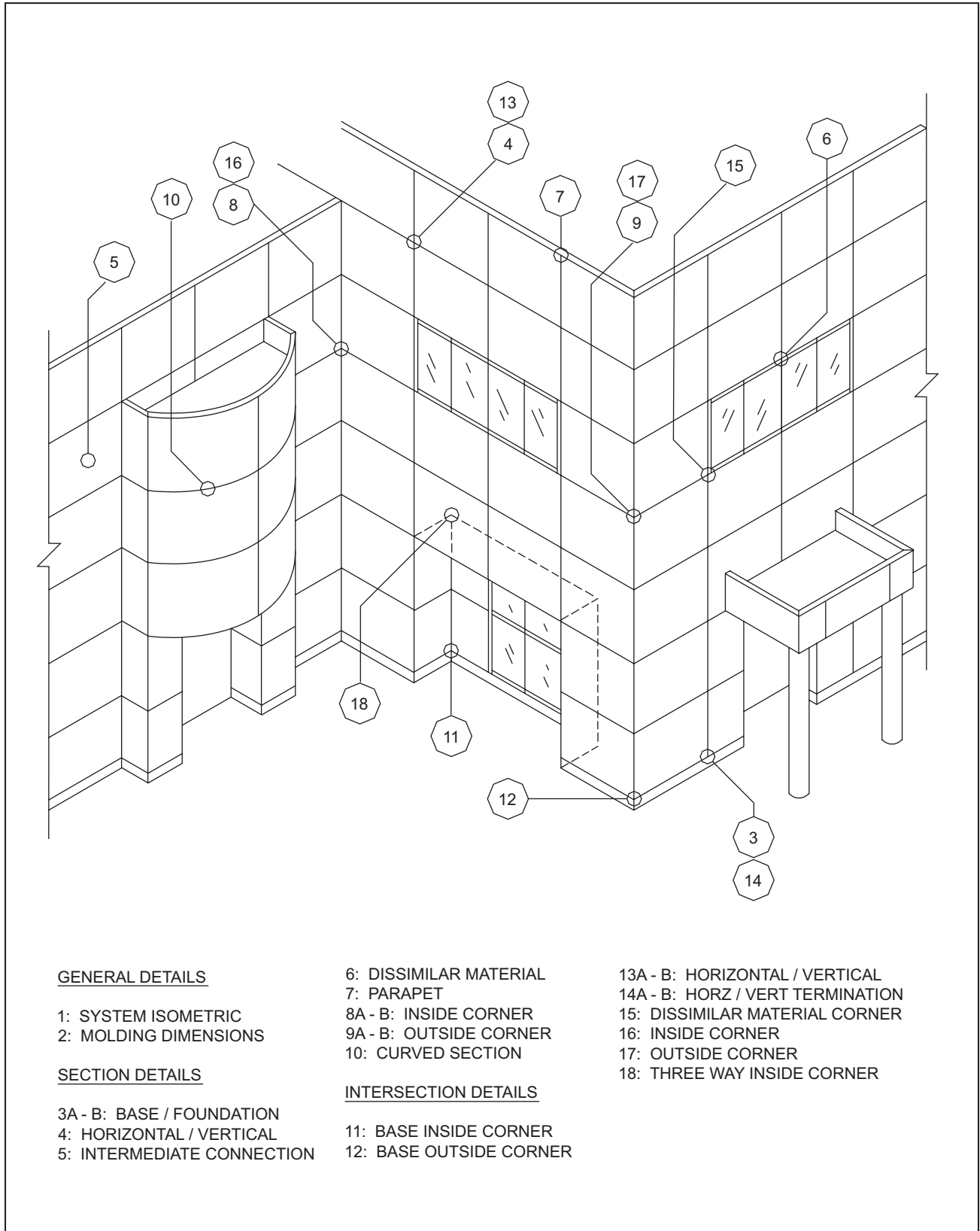
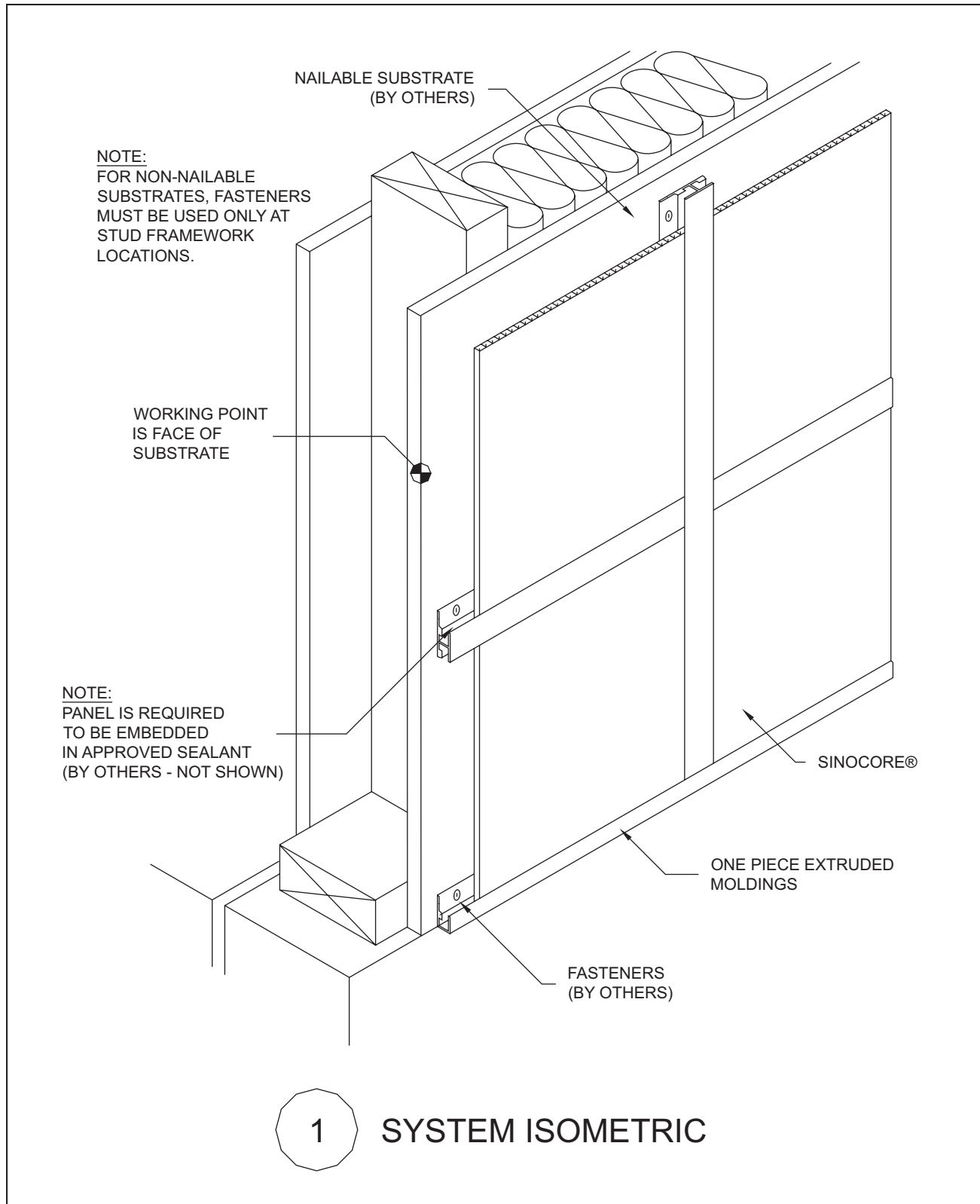


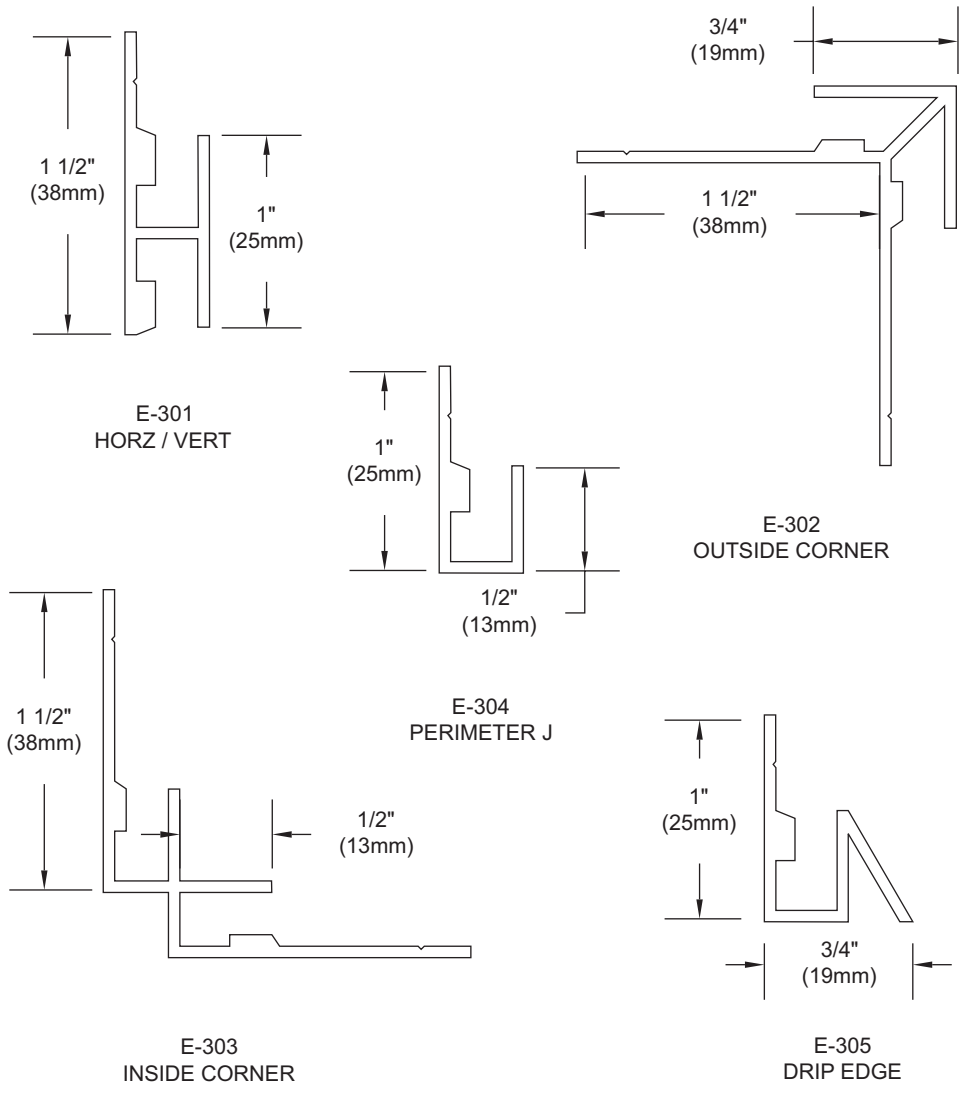
# Typical Details: One Piece Molding System



©2003 Citadel Architectural Products, Inc. An ISO 9001:2000 Registered Company.  
 SinoCore® is a registered trademark of Citadel Architectural Products, Inc.  
 Printed In The U.S.A. Form # 7.02.TD1.B Rev. (11/06) Supersedes (06/03)



<b>DRAWING NAME:</b> SIN 1PC 1 System Isometric.dwg			Note: This detail represents the latest recommendations from Citadel Architectural Products, Inc. It is presented in good faith and is subject to change without notice. Citadel Architectural Products, Inc. accepts no responsibility for the end use of this detail. For conditions not shown, consult our Technical Staff at (800) 446-8828 for review of specific details.
<b>SYSTEM:</b> One Piece Moldings	<b>REVISED:</b> 11/06	<b>SCALE:</b> n/a	

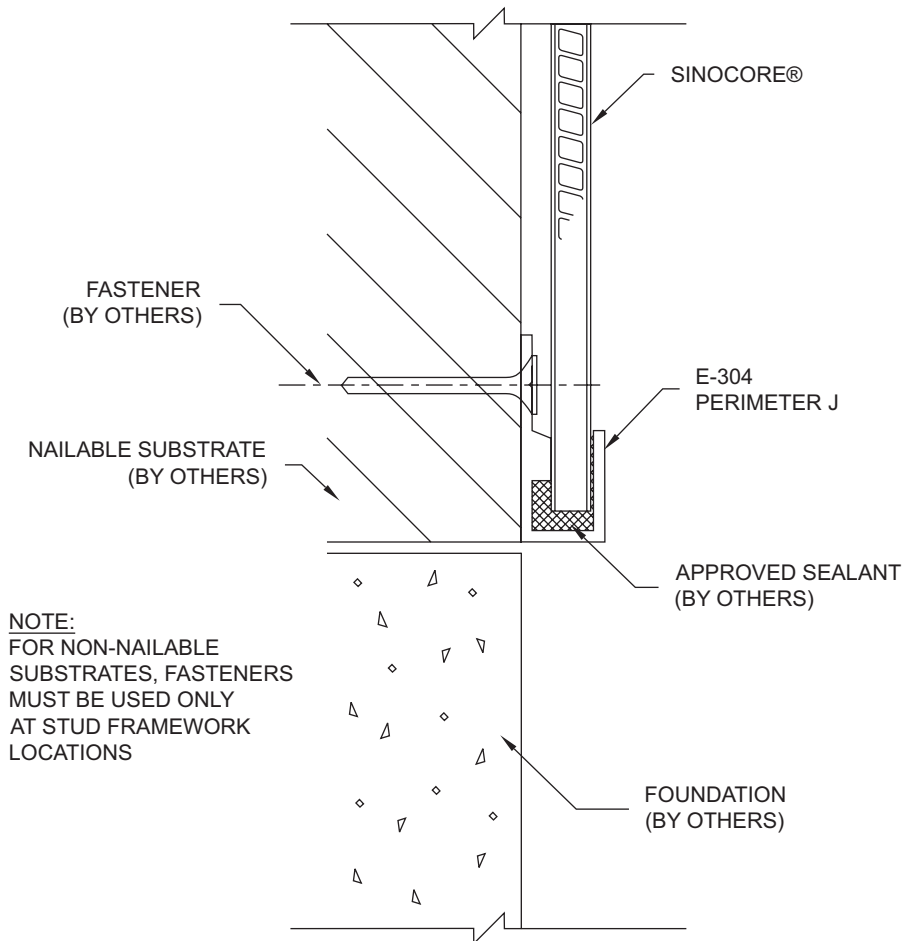


2

MOLDING DIMENSIONS

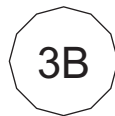
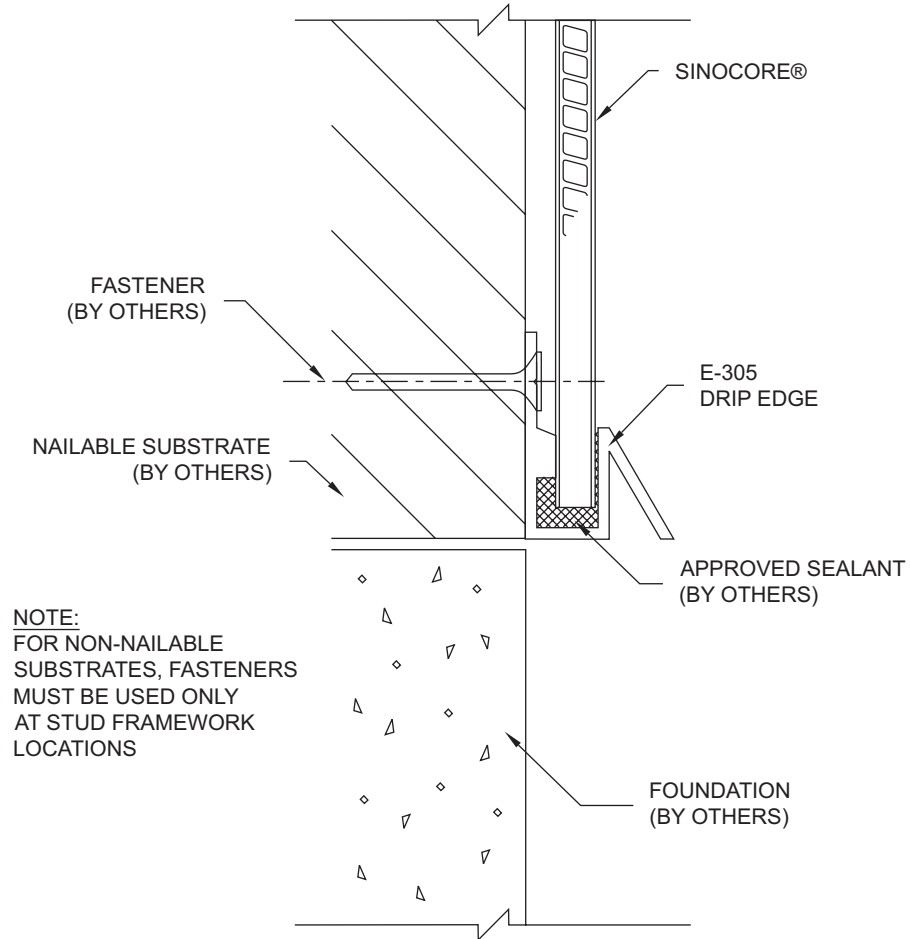
Note: This detail represents the latest recommendations from Citadel Architectural Products, Inc. It is presented in good faith and is subject to change without notice. Citadel Architectural Products, Inc. accepts no responsibility for the end use of this detail. For conditions not shown, consult our Technical Staff at (800) 446-8828 for review of specific details.

<b>DRAWING NAME:</b> SIN 1PC 2 Molding Dimensions.dwg		
<b>SYSTEM:</b> One Piece Moldings	<b>REVISED:</b> 11/06	<b>SCALE:</b> 1:1



**3A** BASE / FOUNDATION, OPTION 1

<b>DRAWING NAME:</b> SIN 1PC 3A Base Foundation Option 1.dwg			Note: This detail represents the latest recommendations from Citadel Architectural Products, Inc. It is presented in good faith and is subject to change without notice. Citadel Architectural Products, Inc. accepts no responsibility for the end use of this detail. For conditions not shown, consult our Technical Staff at (800) 446-8828 for review of specific details.
<b>SYSTEM:</b> One Piece Moldings	<b>REVISED:</b> 11/06	<b>SCALE:</b> 1:1	



**3B** BASE / FOUNDATION, OPTION 2

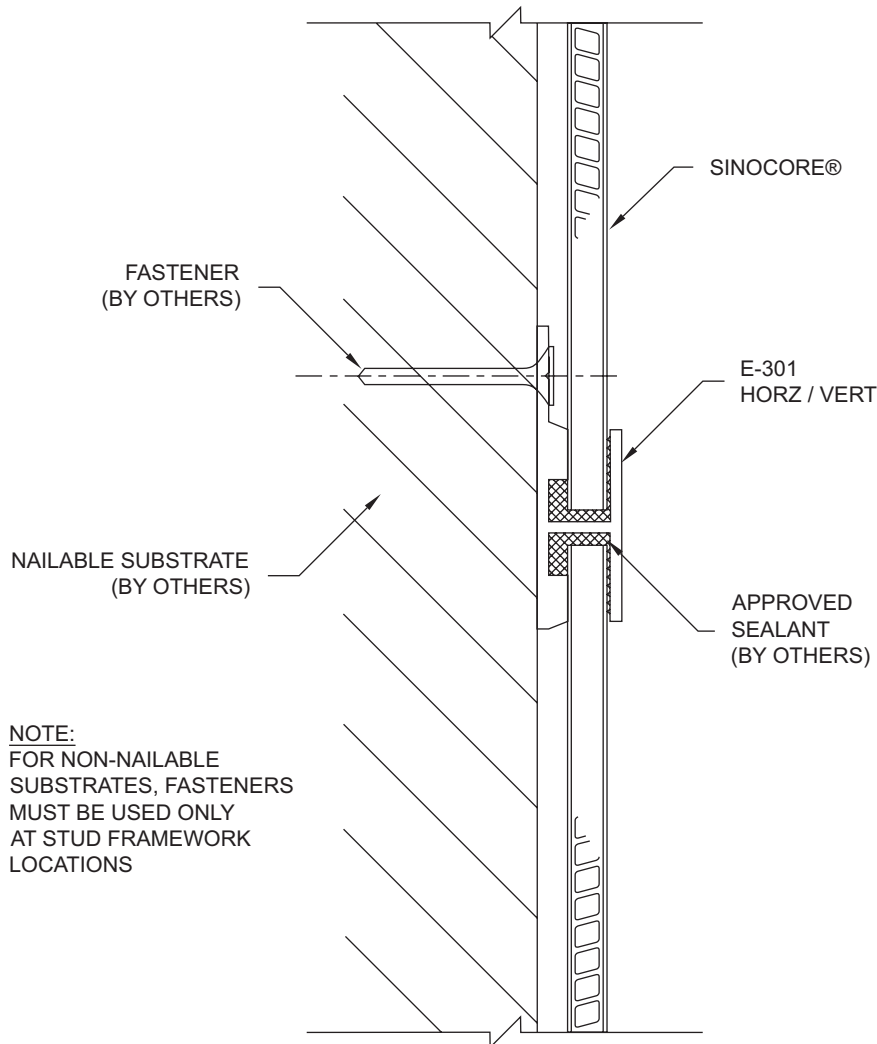
Note: This detail represents the latest recommendations from Citadel Architectural Products, Inc. It is presented in good faith and is subject to change without notice. Citadel Architectural Products, Inc. accepts no responsibility for the end use of this detail. For conditions not shown, consult our Technical Staff at (800) 446-8828 for review of specific details.

**DRAWING NAME:**  
SIN 1PC 3B Base Foundation Option 2.dwg

**SYSTEM:**  
One Piece Moldings

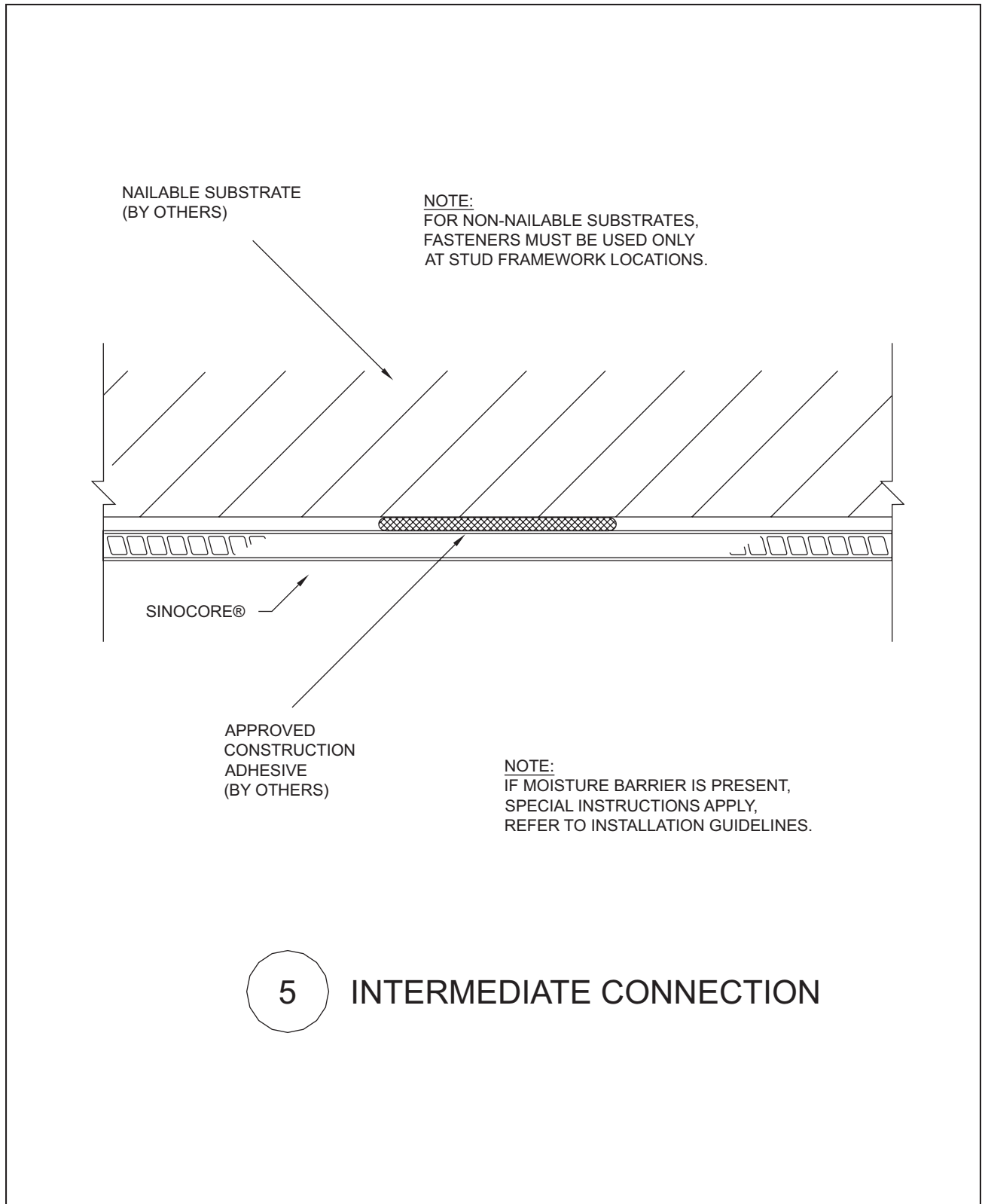
**REVISED:**  
11/06

**SCALE:**  
1:1



4 HORIZONTAL / VERTICAL

<b>DRAWING NAME:</b> SIN 1PC 4 Horizontal Vertical.dwg			Note: This detail represents the latest recommendations from Citadel Architectural Products, Inc. It is presented in good faith and is subject to change without notice. Citadel Architectural Products, Inc. accepts no responsibility for the end use of this detail. For conditions not shown, consult our Technical Staff at (800) 446-8828 for review of specific details.
<b>SYSTEM:</b> One Piece Moldings	<b>REVISED:</b> 11/06	<b>SCALE:</b> 1:1	



Note: This detail represents the latest recommendations from Citadel Architectural Products, Inc. It is presented in good faith and is subject to change without notice. Citadel Architectural Products, Inc. accepts no responsibility for the end use of this detail. For conditions not shown, consult our Technical Staff at (800) 446-8828 for review of specific details.

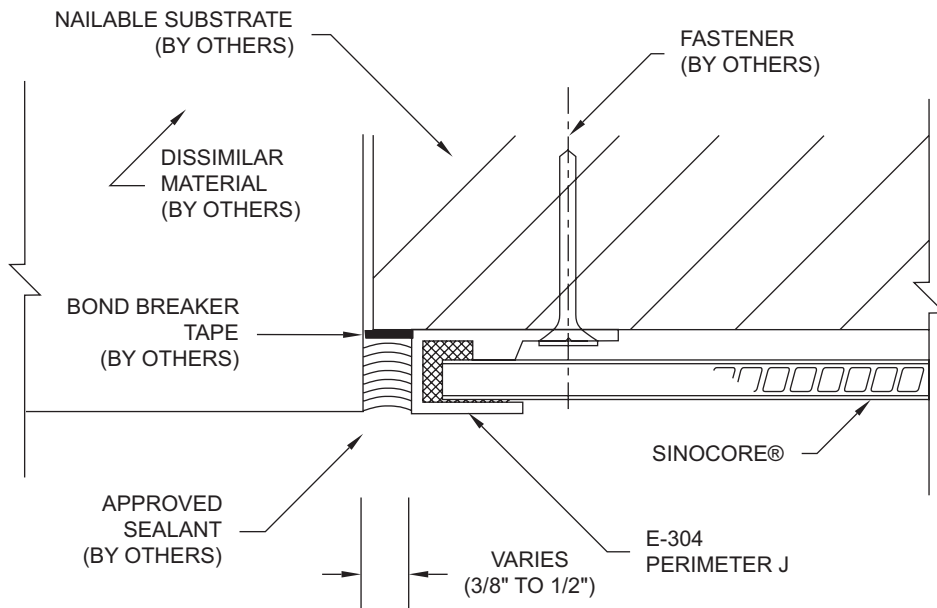
**DRAWING NAME:**  
SIN 1PC 5 Intermediate Connection.dwg

**SYSTEM:**  
One Piece Moldings

**REVISED:**  
11/06

**SCALE:**  
1:1

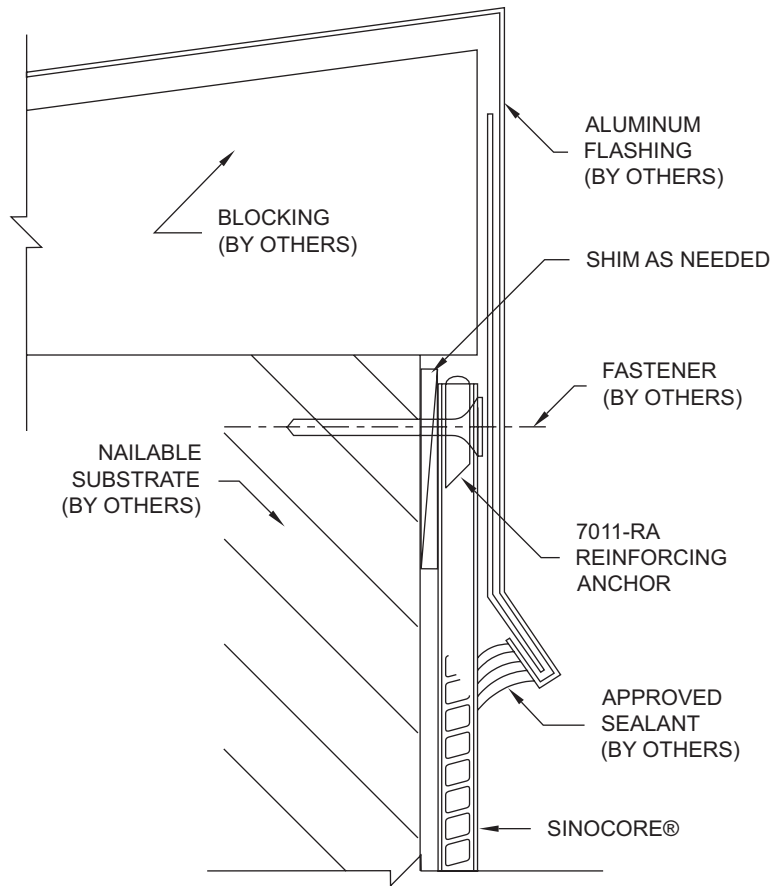
NOTE:  
FOR NON-NAILABLE SUBSTRATES,  
FASTENERS MUST BE USED ONLY  
AT STUD FRAMEWORK LOCATIONS



6 DISSIMILAR MATERIAL

<b>DRAWING NAME:</b> SIN 1PC 6 Dissimilar Material.dwg			Note: This detail represents the latest recommendations from Citadel Architectural Products, Inc. It is presented in good faith and is subject to change without notice. Citadel Architectural Products, Inc. accepts no responsibility for the end use of this detail. For conditions not shown, consult our Technical Staff at (800) 446-8828 for review of specific details.
<b>SYSTEM:</b> One Piece Moldings	<b>REVISED:</b> 11/06	<b>SCALE:</b> 1:1	





7 PARAPET

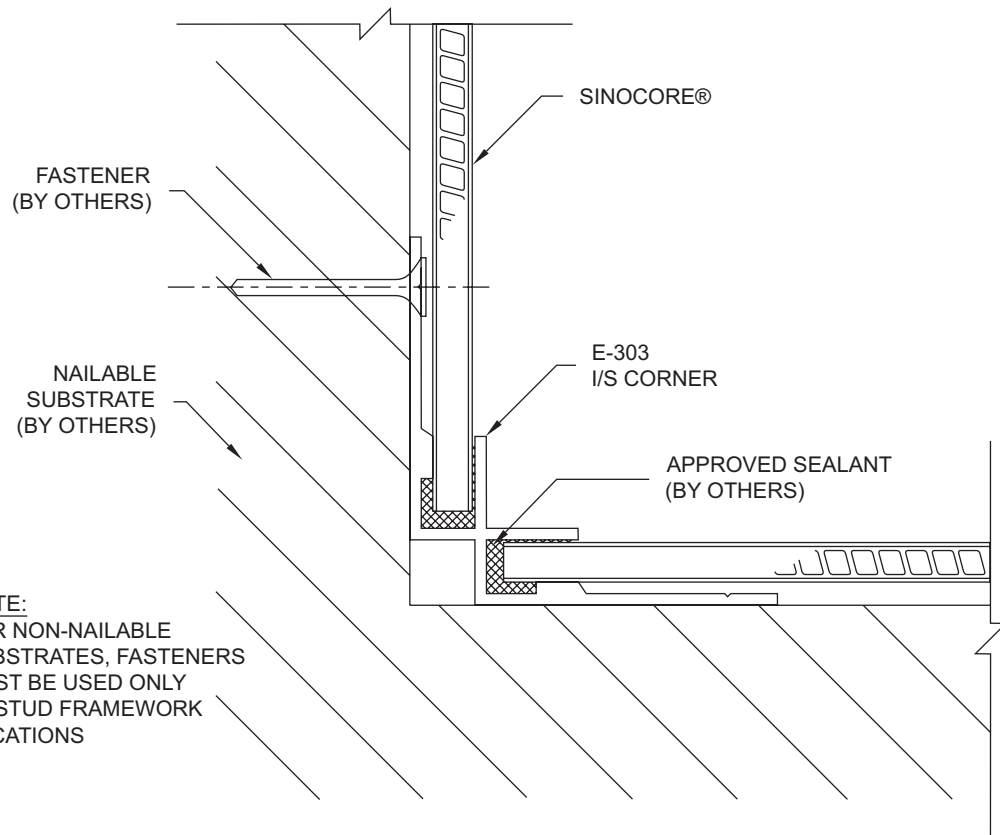
Note: This detail represents the latest recommendations from Citadel Architectural Products, Inc. It is presented in good faith and is subject to change without notice. Citadel Architectural Products, Inc. accepts no responsibility for the end use of this detail. For conditions not shown, consult our Technical Staff at (800) 446-8828 for review of specific details.

**DRAWING NAME:**  
SIN 1PC 7 Parapet.dwg

**SYSTEM:**  
One Piece Moldings

**REVISED:**  
11/06

**SCALE:**  
1:1

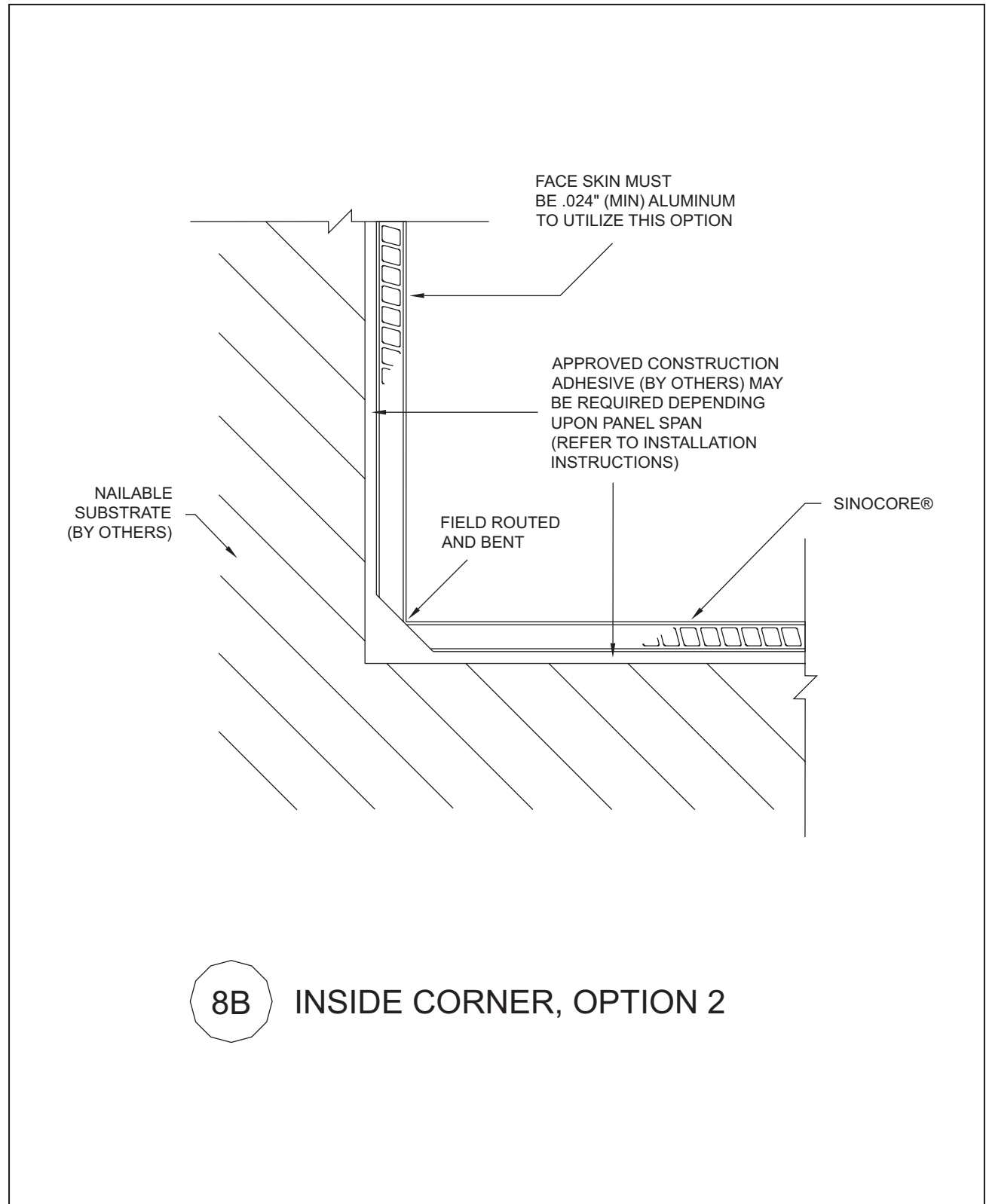


NOTE:  
 FOR NON-NAILABLE  
 SUBSTRATES, FASTENERS  
 MUST BE USED ONLY  
 AT STUD FRAMEWORK  
 LOCATIONS

8A

INSIDE CORNER, OPTION 1

<b>DRAWING NAME:</b> SIN 1PC 8A Inside Corner Option 1.dwg			Note: This detail represents the latest recommendations from Citadel Architectural Products, Inc. It is presented in good faith and is subject to change without notice. Citadel Architectural Products, Inc. accepts no responsibility for the end use of this detail. For conditions not shown, consult our Technical Staff at (800) 446-8828 for review of specific details.
<b>SYSTEM:</b> One Piece Moldings	<b>REVISED:</b> 11/06	<b>SCALE:</b> 1:1	



8B

INSIDE CORNER, OPTION 2

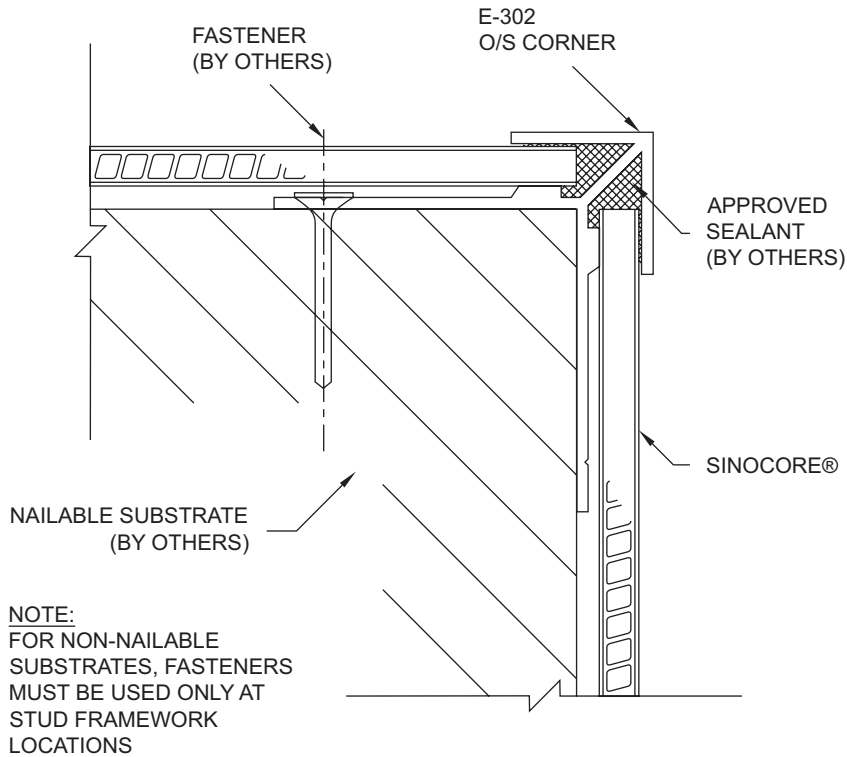
Note: This detail represents the latest recommendations from Citadel Architectural Products, Inc. It is presented in good faith and is subject to change without notice. Citadel Architectural Products, Inc. accepts no responsibility for the end use of this detail. For conditions not shown, consult our Technical Staff at (800) 446-8828 for review of specific details.

**DRAWING NAME:**  
SIN 1PC 8B Inside Corner Option 2.dwg

**SYSTEM:**  
One Piece Moldings

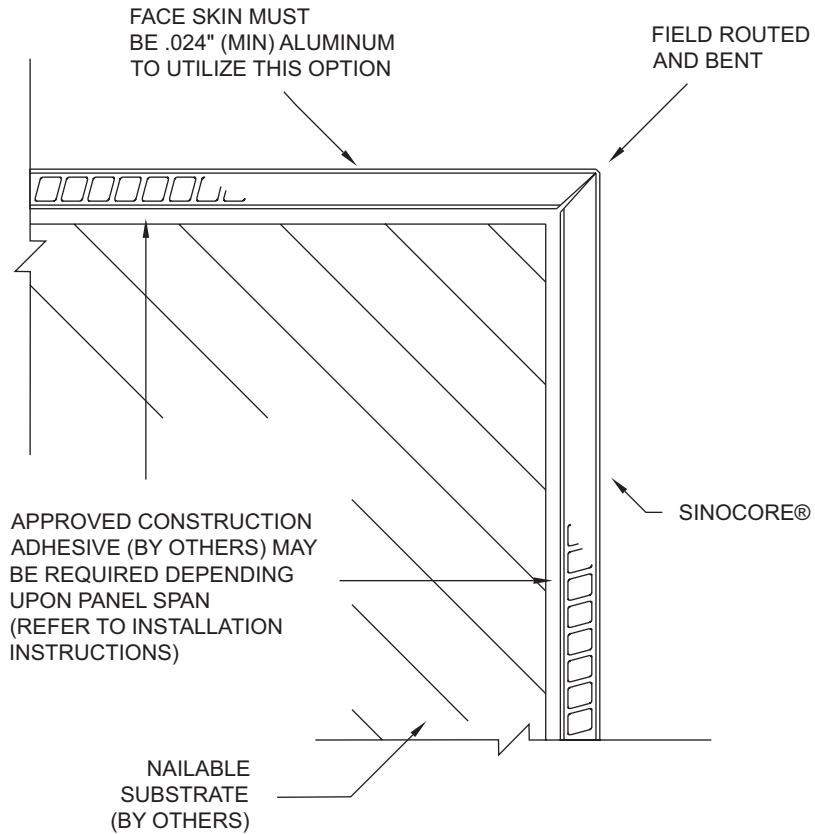
**REVISED:**  
11/06

**SCALE:**  
1:1



**9A** OUTSIDE CORNER, OPTION 1

<b>DRAWING NAME:</b> SIN 1PC 9A Outside Corner Option 1.dwg			Note: This detail represents the latest recommendations from Citadel Architectural Products, Inc. It is presented in good faith and is subject to change without notice. Citadel Architectural Products, Inc. accepts no responsibility for the end use of this detail. For conditions not shown, consult our Technical Staff at (800) 446-8828 for review of specific details.
<b>SYSTEM:</b> One Piece Moldings	<b>REVISED:</b> 11/06	<b>SCALE:</b> 1:1	



**9B** OUTSIDE CORNER, OPTION 2

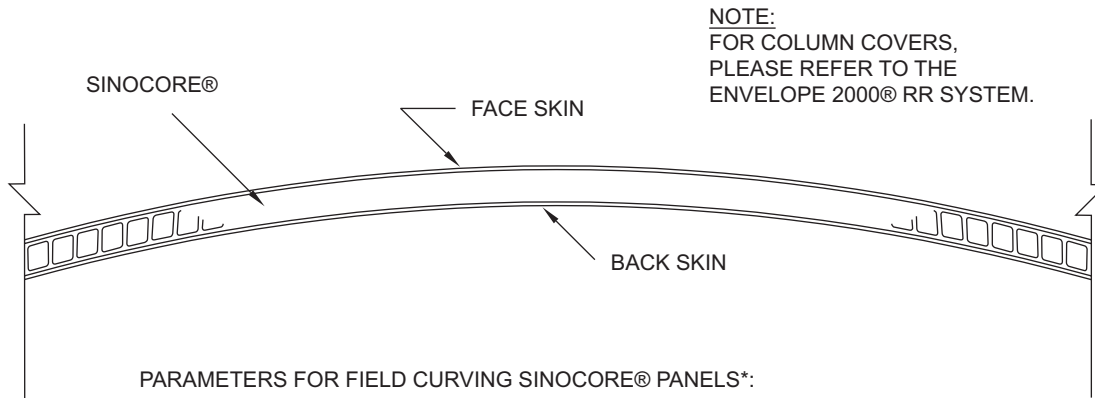
Note: This detail represents the latest recommendations from Citadel Architectural Products, Inc. It is presented in good faith and is subject to change without notice. Citadel Architectural Products, Inc. accepts no responsibility for the end use of this detail. For conditions not shown, consult our Technical Staff at (800) 446-8828 for review of specific details.

**DRAWING NAME:**  
SIN 1PC 9B Outside Corner Option 2.dwg

**SYSTEM:**  
One Piece Moldings

**REVISED:**  
11/06

**SCALE:**  
1:1

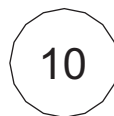


PARAMETERS FOR FIELD CURVING SINOCORE® PANELS\*:

BACKER MATERIAL**:	MINIMUM RADIUS:
STANDARD .024" SMOOTH ALUMINUM	50 FT
.030" SMOOTH FIBERGLASS REINFORCED PLASTIC (FRP)	8 FT
.008" FIBERGLASS REINFORCED KRAFT/FOIL SCRIM	2 FT

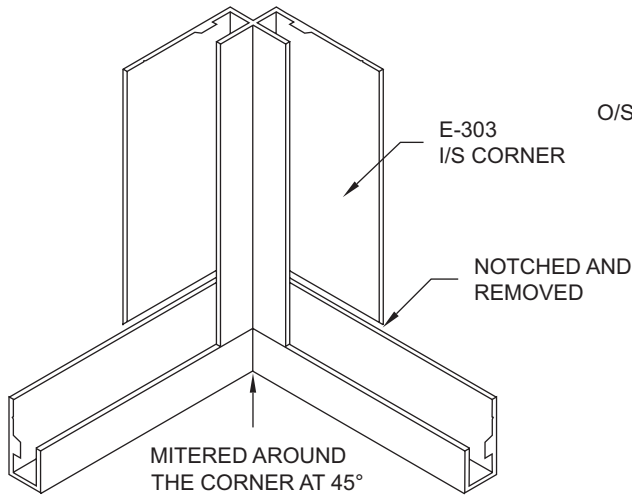
\* ALL MOLDINGS MUST BE FACTORY CURVED. HOWEVER, FACTORY CURVING NOT RECOMMENDED FOR SINOCORE® PANELS.  
 \*\* FACE MATERIAL MUST BE .024" (MIN) ALUMINUM.

NOTE:  
 FOR SPECIFIC PROJECT REQUIREMENTS, CONTACT CITADEL.

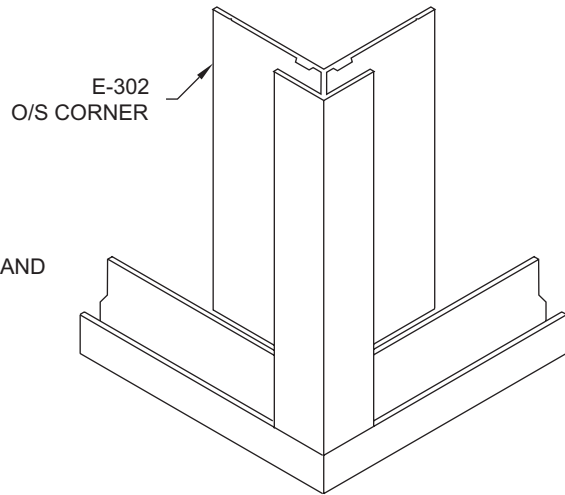


## CURVED SECTION

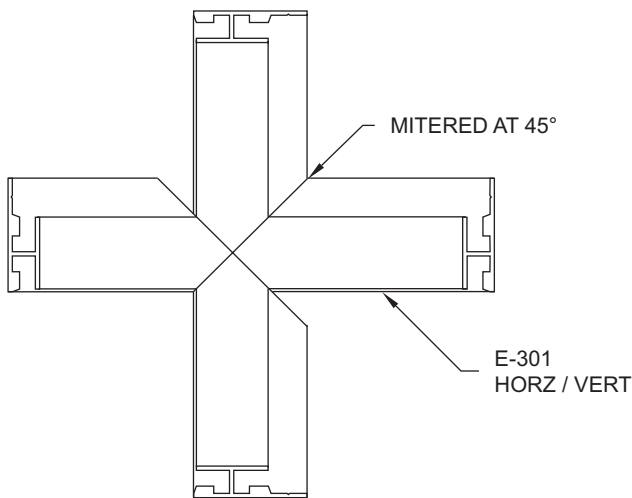
<b>DRAWING NAME:</b> SIN 1PC 10 Curved Section.dwg			Note: This detail represents the latest recommendations from Citadel Architectural Products, Inc. It is presented in good faith and is subject to change without notice. Citadel Architectural Products, Inc. accepts no responsibility for the end use of this detail. For conditions not shown, consult our Technical Staff at (800) 446-8828 for review of specific details.
<b>SYSTEM:</b> One Piece Moldings	<b>REVISED:</b> 11/06	<b>SCALE:</b> n/a	



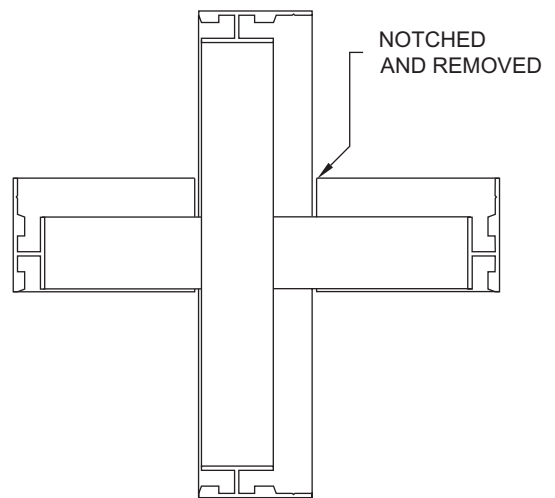
11 BASE INSIDE CORNER



12 BASE OUTSIDE CORNER



13A HORIZONTAL / VERTICAL, OPTION 1



13B HORIZONTAL / VERTICAL, OPTION 2

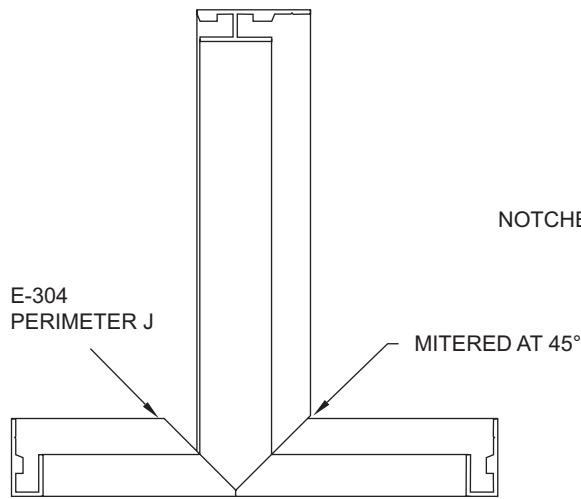
Note: This detail represents the latest recommendations from Citadel Architectural Products, Inc. It is presented in good faith and is subject to change without notice. Citadel Architectural Products, Inc. accepts no responsibility for the end use of this detail. For conditions not shown, consult our Technical Staff at (800) 446-8828 for review of specific details.

**DRAWING NAME:**  
SIN 1PC Intersections 11 To 13B.dwg

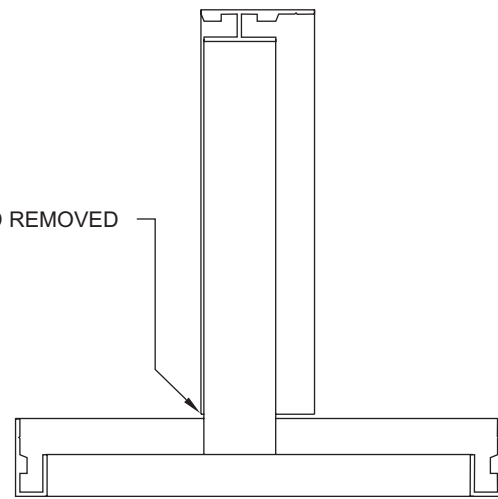
**SYSTEM:**  
One Piece Moldings

**REVISED:**  
11/06

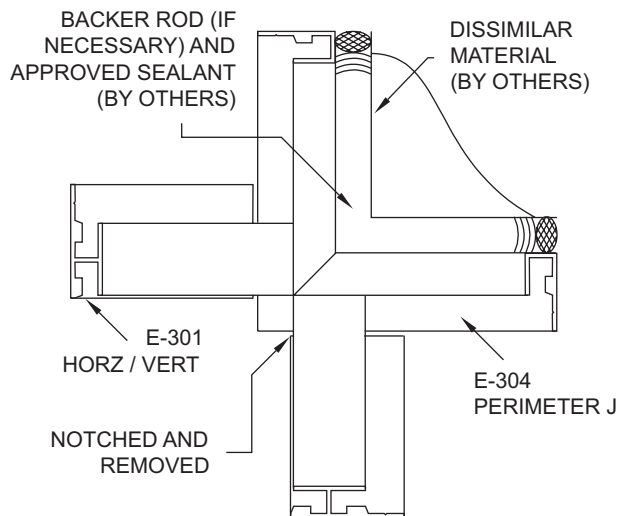
**SCALE:**  
n/a



14A HORZ / VERT TERMINATION, OPTION 1



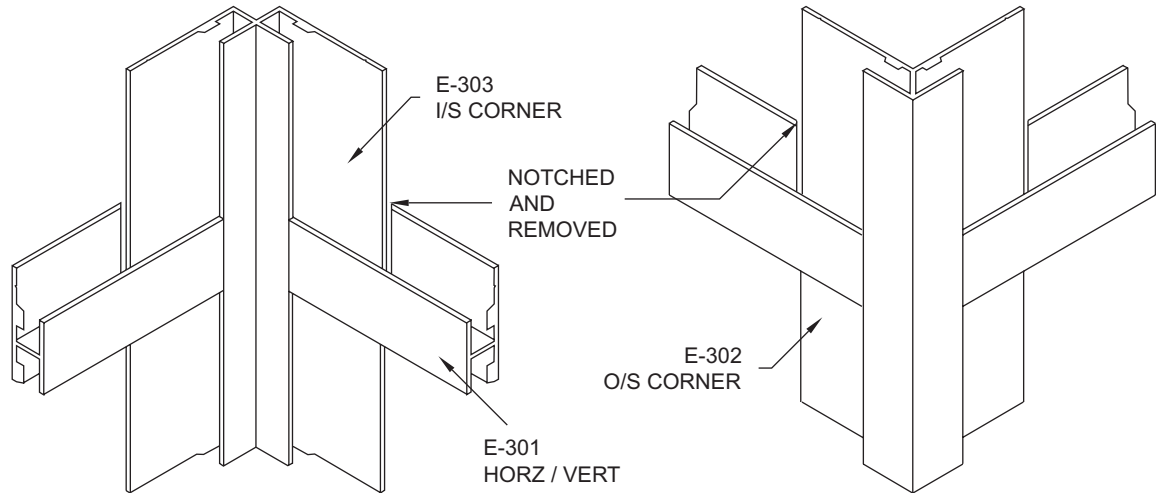
14B HORZ / VERT TERMINATION, OPTION 2



15 DISSIMILAR MATERIAL CORNER

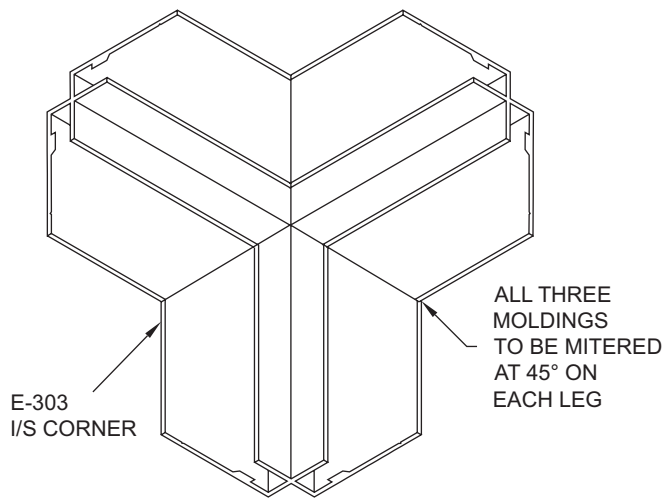
<b>DRAWING NAME:</b> SIN 1PC 14A To 15.dwg			Note: This detail represents the latest recommendations from Citadel Architectural Products, Inc. It is presented in good faith and is subject to change without notice. Citadel Architectural Products, Inc. accepts no responsibility for the end use of this detail. For conditions not shown, consult our Technical Staff at (800) 446-8828 for review of specific details.
<b>SYSTEM:</b> One Piece Moldings	<b>REVISED:</b> 11/06	<b>SCALE:</b> n/a	





16 INSIDE CORNER

17 OUTSIDE CORNER



18 THREE WAY INSIDE CORNER

Note: This detail represents the latest recommendations from Citadel Architectural Products, Inc. It is presented in good faith and is subject to change without notice. Citadel Architectural Products, Inc. accepts no responsibility for the end use of this detail. For conditions not shown, consult our Technical Staff at (800) 446-8828 for review of specific details.

**DRAWING NAME:**  
SIN 1PC Intersections 16 To 18.dwg

**SYSTEM:**  
One Piece Moldings

**REVISED:**  
11/06

**SCALE:**  
n/a

