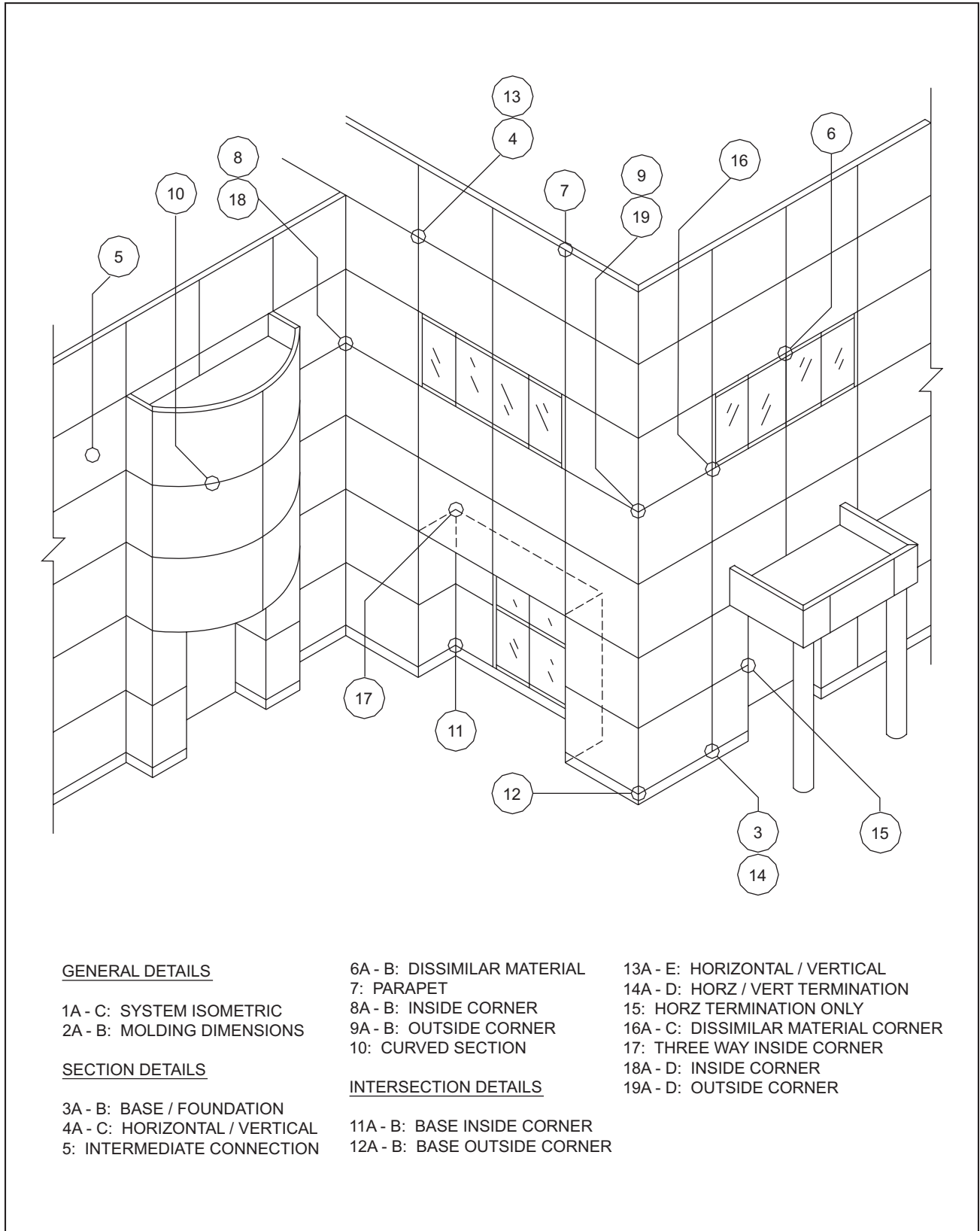


# Typical Details: Two Piece Molding System



GENERAL DETAILS

- 1A - C: SYSTEM ISOMETRIC
- 2A - B: MOLDING DIMENSIONS

SECTION DETAILS

- 3A - B: BASE / FOUNDATION
- 4A - C: HORIZONTAL / VERTICAL
- 5: INTERMEDIATE CONNECTION

- 6A - B: DISSIMILAR MATERIAL

- 7: PARAPET
- 8A - B: INSIDE CORNER
- 9A - B: OUTSIDE CORNER
- 10: CURVED SECTION

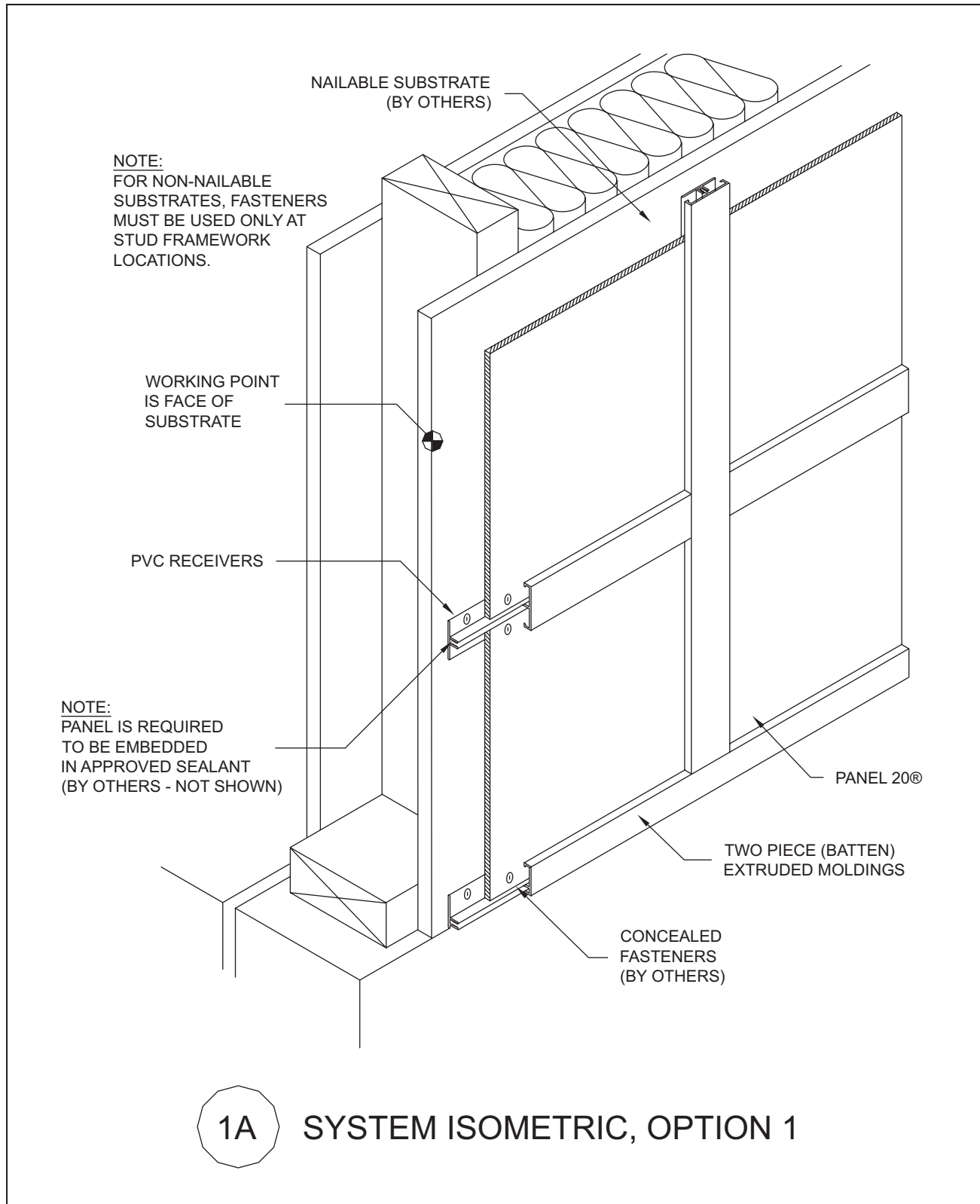
INTERSECTION DETAILS

- 11A - B: BASE INSIDE CORNER
- 12A - B: BASE OUTSIDE CORNER

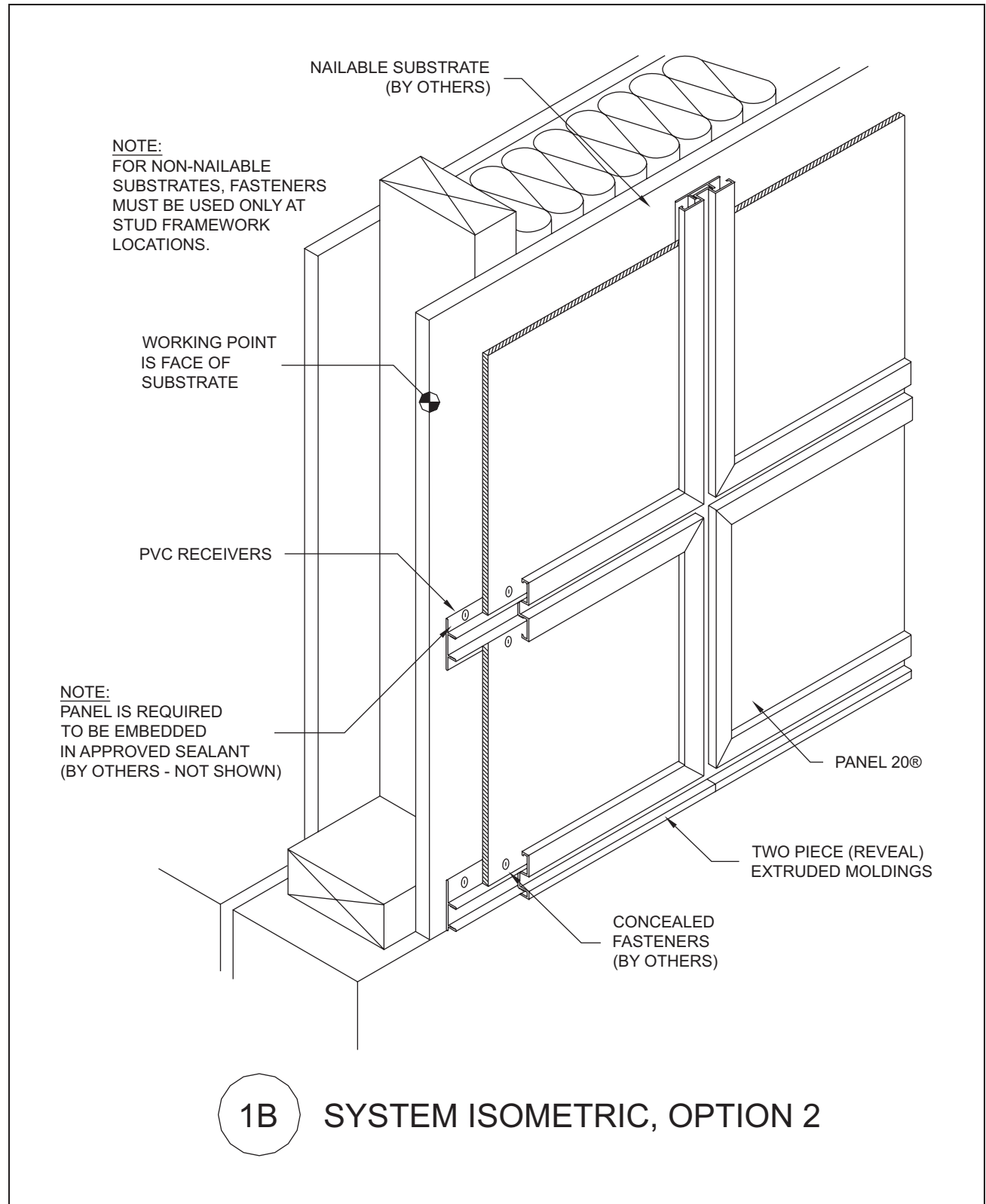
- 13A - E: HORIZONTAL / VERTICAL

- 14A - D: HORZ / VERT TERMINATION
- 15: HORZ TERMINATION ONLY
- 16A - C: DISSIMILAR MATERIAL CORNER
- 17: THREE WAY INSIDE CORNER
- 18A - D: INSIDE CORNER
- 19A - D: OUTSIDE CORNER

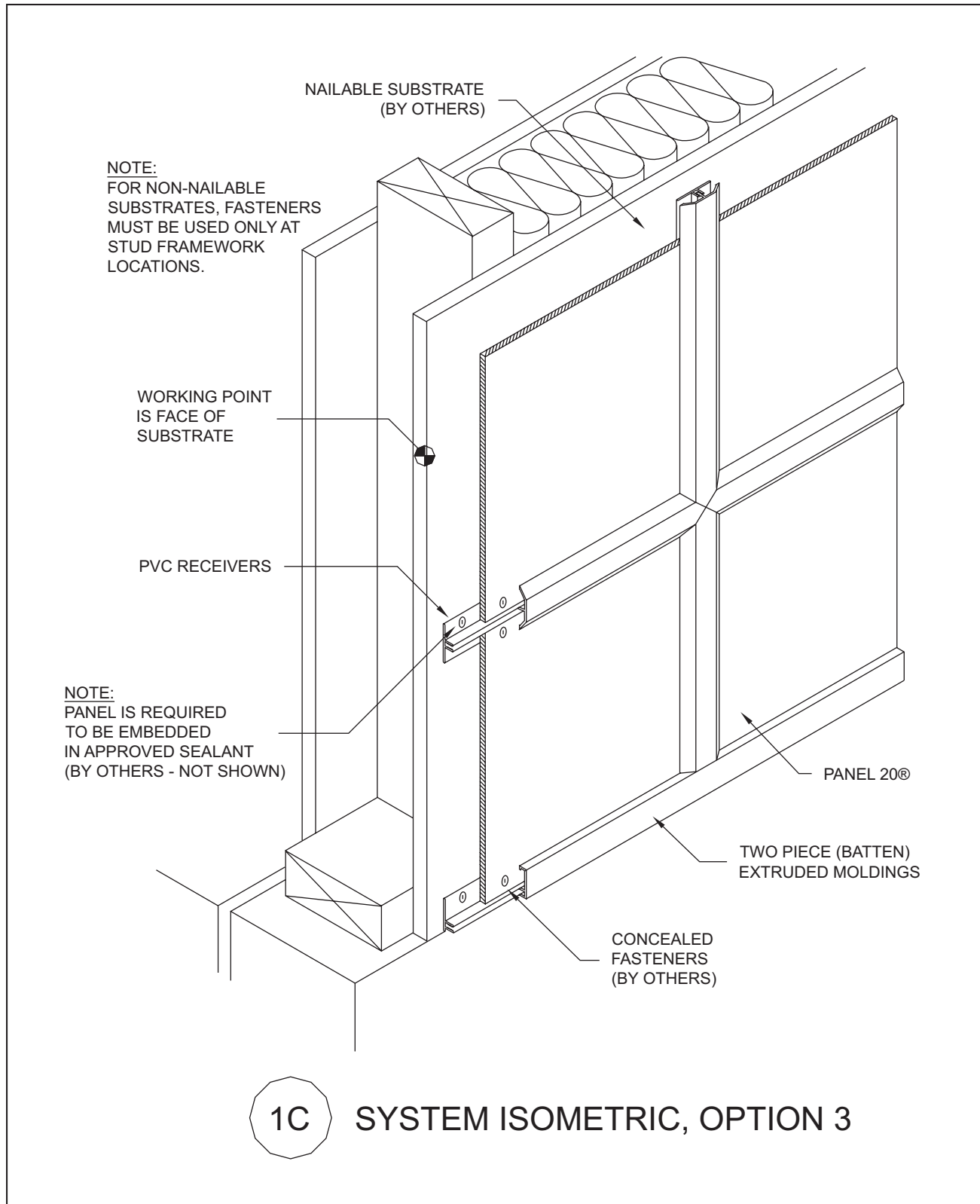
©2003 Citadel Architectural Products, Inc. An ISO 9001:2000 Registered Company.  
 Panel 20® is a registered trademark of Citadel Architectural Products, Inc.  
 Printed In The U.S.A. Form # 7.04.TD.B Rev. (11/06) Supersedes (06/03)



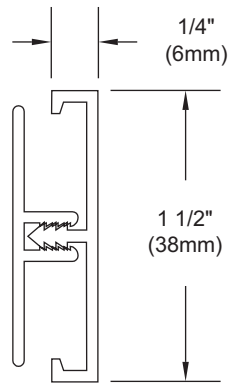
<p><b>DRAWING NAME:</b> P20 1A System Isometric Option 1.dwg</p>			<p>Note: This detail represents the latest recommendations from Citadel Architectural Products, Inc. It is presented in good faith and is subject to change without notice. Citadel Architectural Products, Inc. accepts no responsibility for the end use of this detail. For conditions not shown, consult our Technical Staff at (800) 446-8828 for review of specific details.</p>
<p><b>SYSTEM:</b> Two Piece Moldings</p>	<p><b>REVISED:</b> 11/06</p>	<p><b>SCALE:</b> n/a</p>	



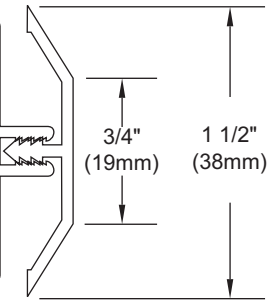
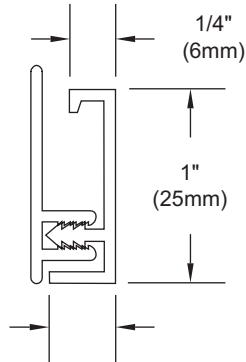
<p>Note: This detail represents the latest recommendations from Citadel Architectural Products, Inc. It is presented in good faith and is subject to change without notice. Citadel Architectural Products, Inc. accepts no responsibility for the end use of this detail. For conditions not shown, consult our Technical Staff at (800) 446-8828 for review of specific details.</p>	<p><b>DRAWING NAME:</b> P20 1B System Isometric Option 2.dwg</p>		
	<p><b>SYSTEM:</b> Two Piece Moldings</p>	<p><b>REVISED:</b> 11/06</p>	<p><b>SCALE:</b> n/a</p>



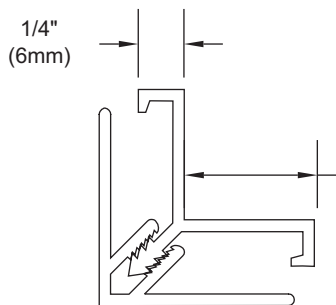
<b>DRAWING NAME:</b> P20 1C System Isometric Option 3.dwg			Note: This detail represents the latest recommendations from Citadel Architectural Products, Inc. It is presented in good faith and is subject to change without notice. Citadel Architectural Products, Inc. accepts no responsibility for the end use of this detail. For conditions not shown, consult our Technical Staff at (800) 446-8828 for review of specific details.
<b>SYSTEM:</b> Two Piece Moldings	<b>REVISED:</b> 11/06	<b>SCALE:</b> n/a	



C20-401  
HORZ / VERT  
R20-401  
PVC RECEIVER

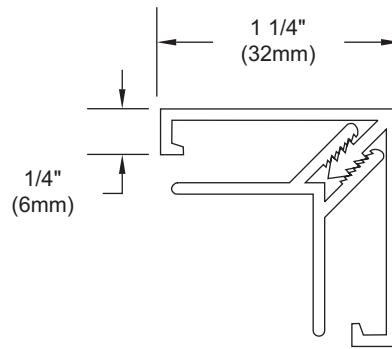


C20-402  
HORZ / VERT  
R20-401  
PVC RECEIVER



C20-404  
INSIDE CORNER  
R20-404  
PVC RECEIVER

C20-403  
PERIMETER J  
R20-403  
PVC RECEIVER



C20-405  
OUTSIDE CORNER  
R20-405  
PVC RECEIVER



## MOLDING DIMENSIONS, PAGE 1

Note: This detail represents the latest recommendations from Citadel Architectural Products, Inc. It is presented in good faith and is subject to change without notice. Citadel Architectural Products, Inc. accepts no responsibility for the end use of this detail. For conditions not shown, consult our Technical Staff at (800) 446-8828 for review of specific details.

**DRAWING NAME:**

P20 2A Molding Dimensions Page 1.dwg

**SYSTEM:**

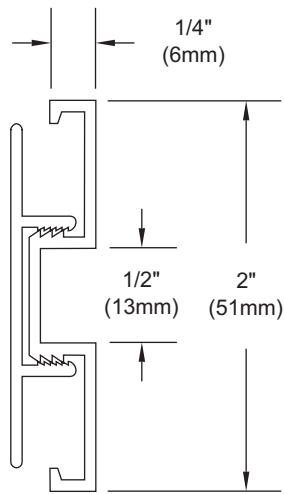
Two Piece Moldings

**REVISED:**

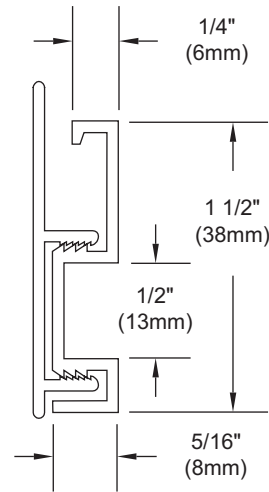
11/06

**SCALE:**

1:1



C20-406  
HORZ / VERT  
  
R20-406  
PVC RECEIVER

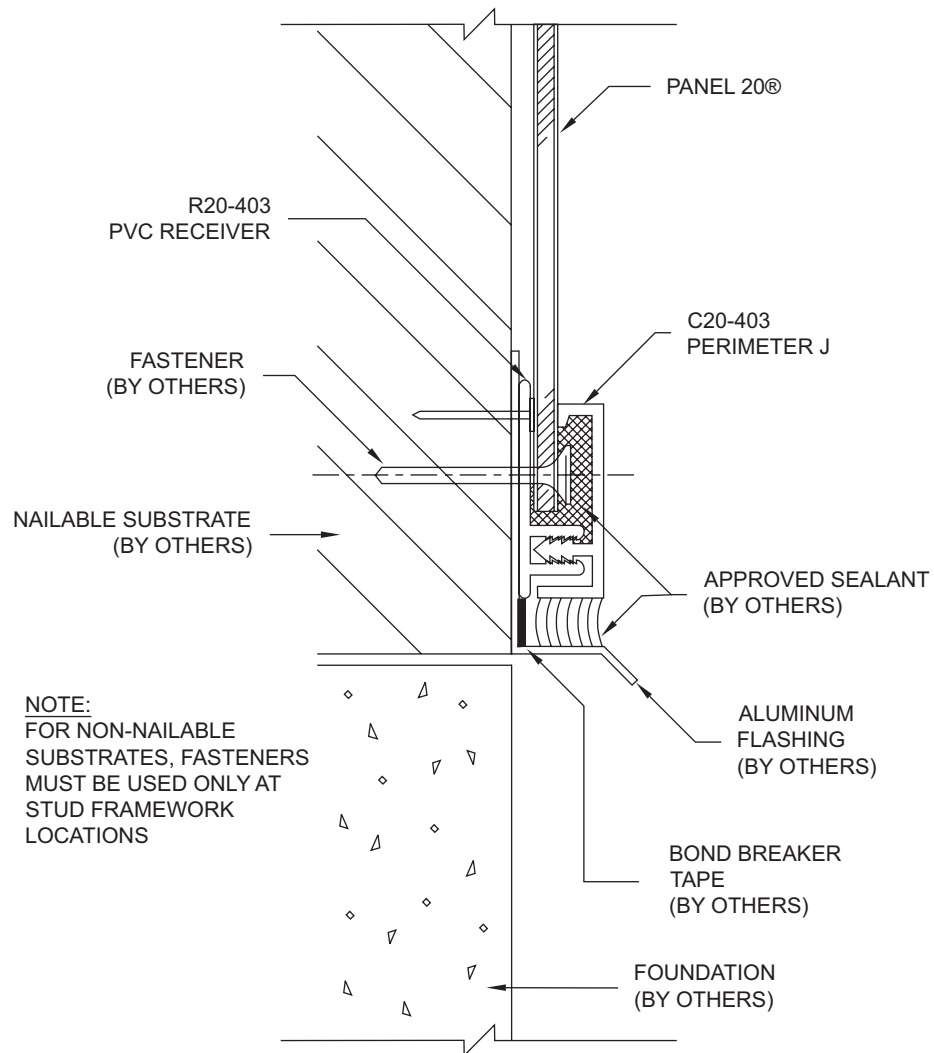


C20-407  
PERIMETER J  
  
R20-407  
PVC RECEIVER



MOLDING DIMENSIONS, PAGE 2

<p><b>DRAWING NAME:</b> P20 2B Molding Dimensions Page 2.dwg</p>			<p>Note: This detail represents the latest recommendations from Citadel Architectural Products, Inc. It is presented in good faith and is subject to change without notice. Citadel Architectural Products, Inc. accepts no responsibility for the end use of this detail. For conditions not shown, consult our Technical Staff at (800) 446-8828 for review of specific details.</p>
<p><b>SYSTEM:</b> Two Piece Moldings</p>	<p><b>REVISED:</b> 11/06</p>	<p><b>SCALE:</b> n/a</p>	



3A

BASE / FOUNDATION, OPTION 1

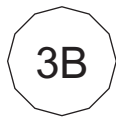
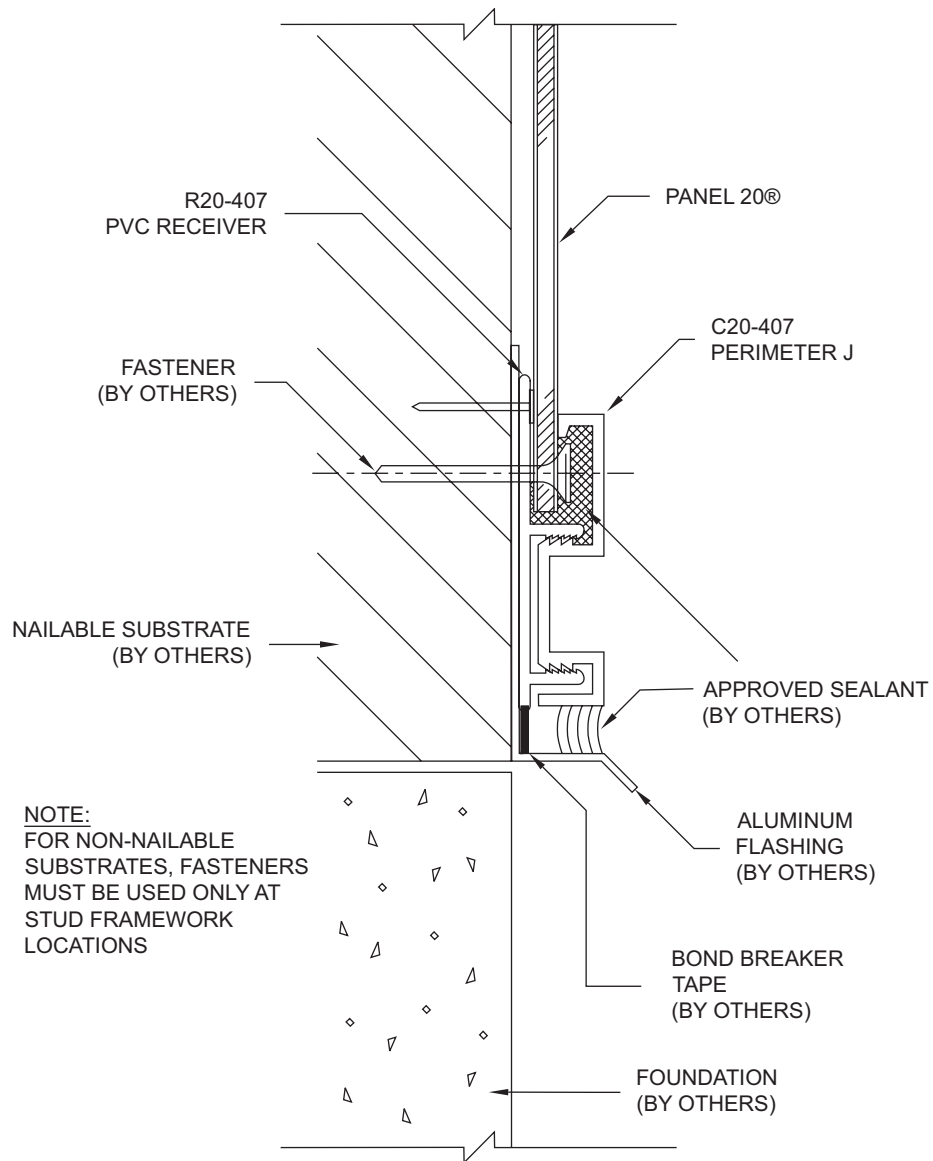
Note: This detail represents the latest recommendations from Citadel Architectural Products, Inc. It is presented in good faith and is subject to change without notice. Citadel Architectural Products, Inc. accepts no responsibility for the end use of this detail. For conditions not shown, consult our Technical Staff at (800) 446-8828 for review of specific details.

**DRAWING NAME:**  
P20 3A Base Foundation Option 1.dwg

**SYSTEM:**  
Two Piece Moldings

**REVISED:**  
11/06

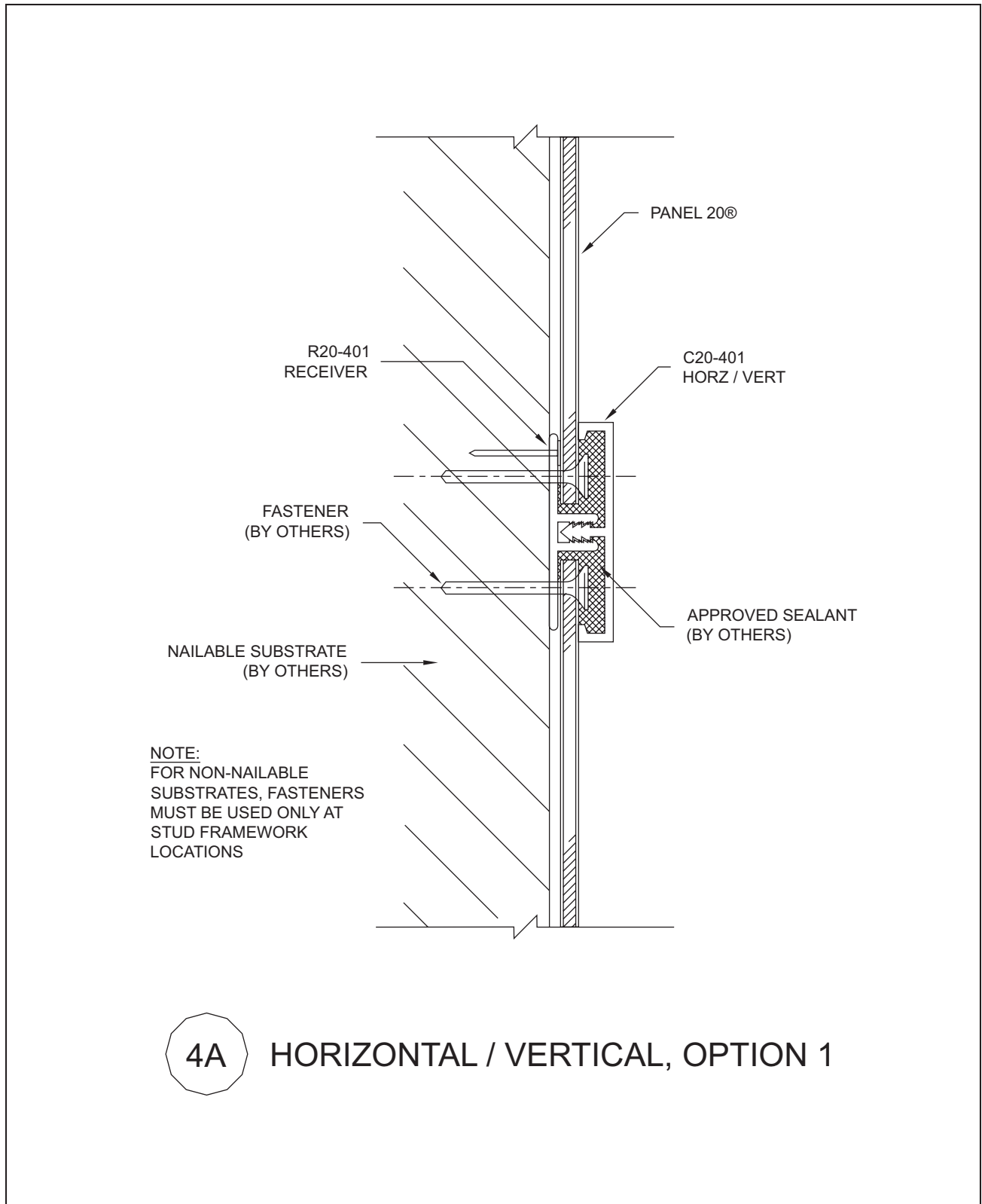
**SCALE:**  
1:1



**3B BASE / FOUNDATION, OPTION 2**

<p><b>DRAWING NAME:</b> P20 3B Base Foundation Option 2.dwg</p>			<p>Note: This detail represents the latest recommendations from Citadel Architectural Products, Inc. It is presented in good faith and is subject to change without notice. Citadel Architectural Products, Inc. accepts no responsibility for the end use of this detail. For conditions not shown, consult our Technical Staff at (800) 446-8828 for review of specific details.</p>
<p><b>SYSTEM:</b> Two Piece Moldings</p>	<p><b>REVISED:</b> 11/06</p>	<p><b>SCALE:</b> 1:1</p>	





**4A HORIZONTAL / VERTICAL, OPTION 1**

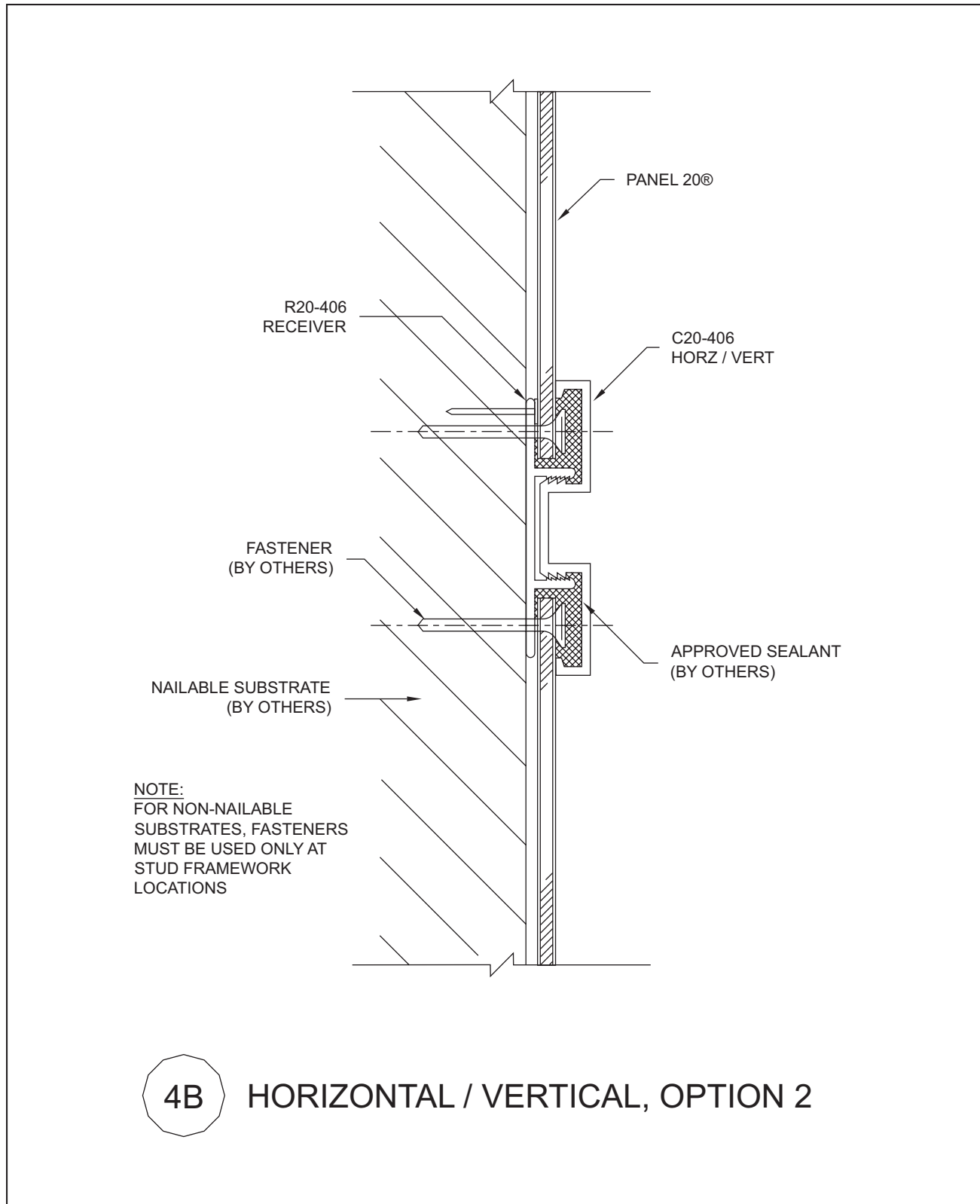
Note: This detail represents the latest recommendations from Citadel Architectural Products, Inc. It is presented in good faith and is subject to change without notice. Citadel Architectural Products, Inc. accepts no responsibility for the end use of this detail. For conditions not shown, consult our Technical Staff at (800) 446-8828 for review of specific details.

**DRAWING NAME:**  
P20 4A Horizontal Vertical Option 1.dwg

**SYSTEM:**  
Two Piece Moldings

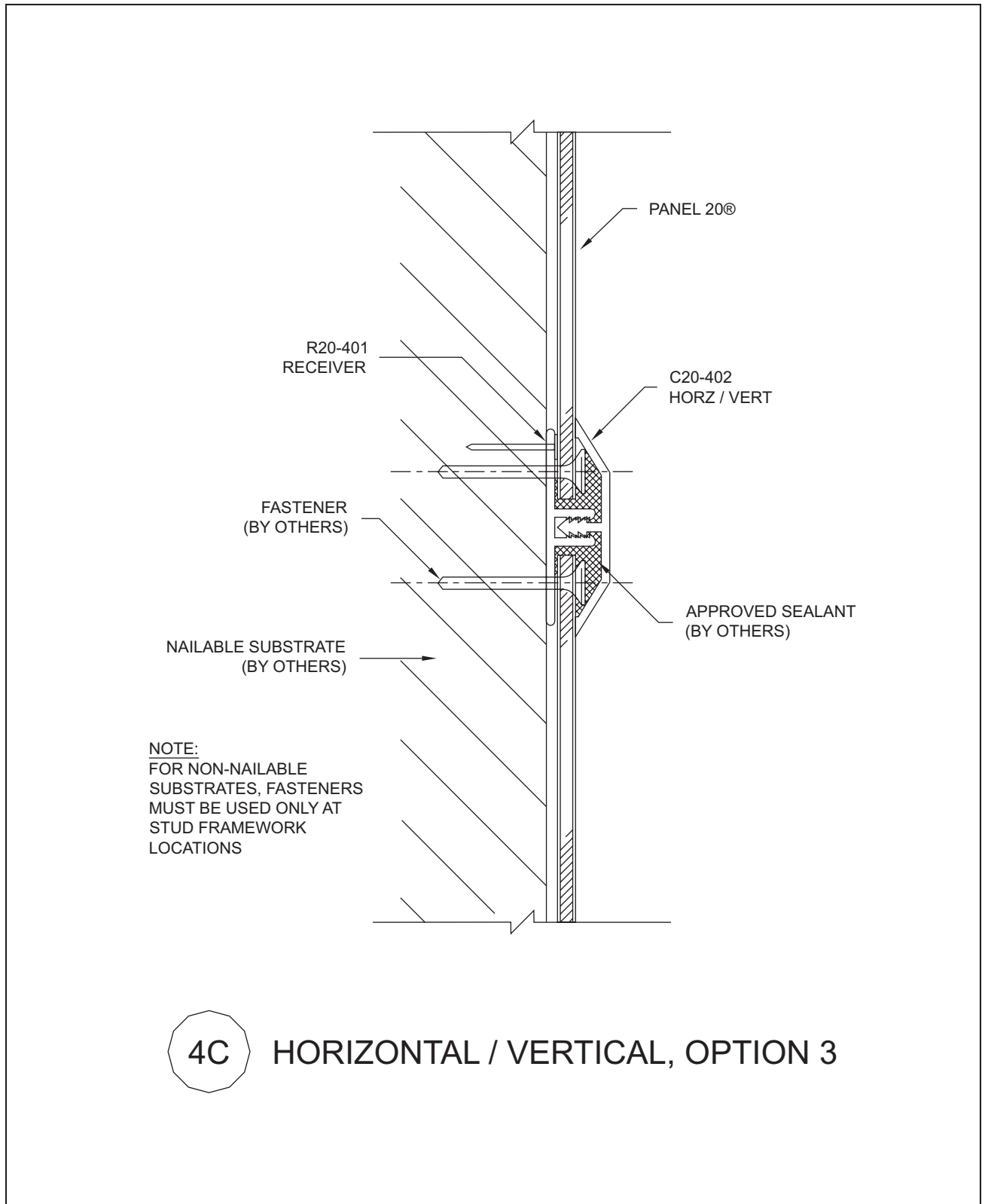
**REVISED:**  
11/06

**SCALE:**  
1:1



**HORIZONTAL / VERTICAL, OPTION 2**

<p><b>DRAWING NAME:</b> P20 4B Horizontal Vertical Option 2.dwg</p>			<p>Note: This detail represents the latest recommendations from Citadel Architectural Products, Inc. It is presented in good faith and is subject to change without notice. Citadel Architectural Products, Inc. accepts no responsibility for the end use of this detail. For conditions not shown, consult our Technical Staff at (800) 446-8828 for review of specific details.</p>
<p><b>SYSTEM:</b> Two Piece Moldings</p>	<p><b>REVISED:</b> 11/06</p>	<p><b>SCALE:</b> 1:1</p>	



4C

## HORIZONTAL / VERTICAL, OPTION 3

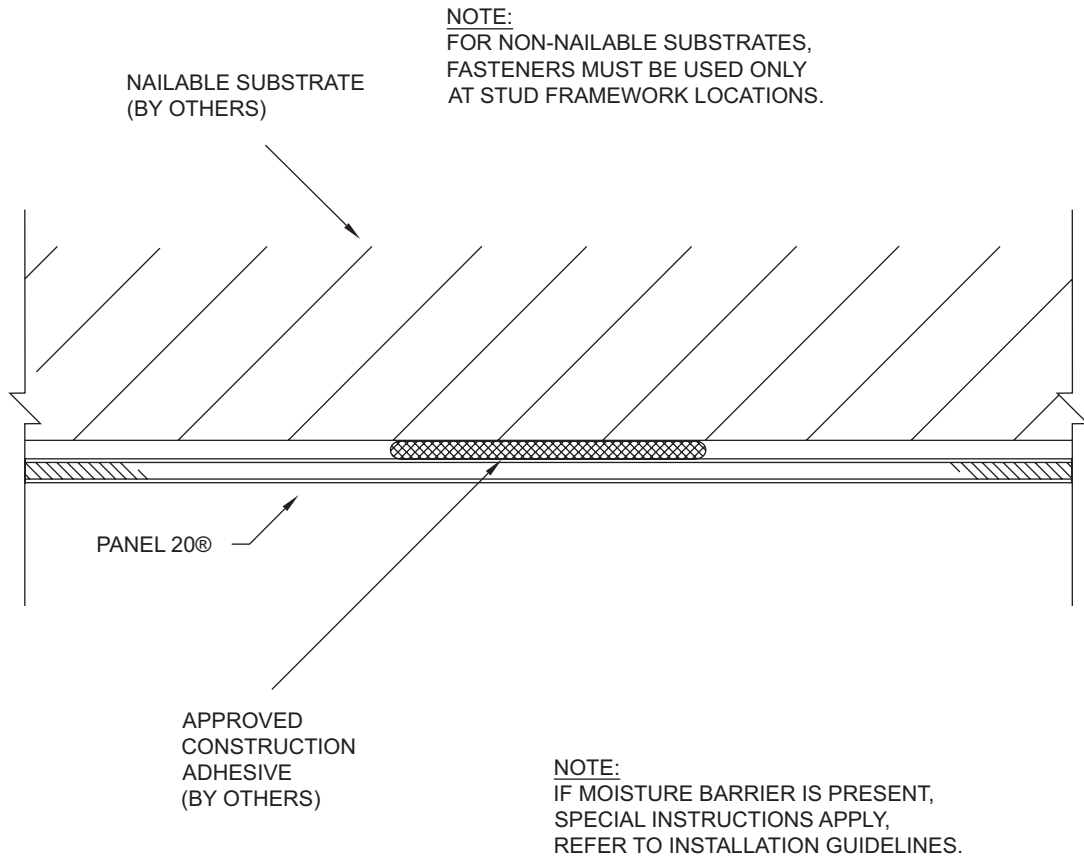
Note: This detail represents the latest recommendations from Citadel Architectural Products, Inc. It is presented in good faith and is subject to change without notice. Citadel Architectural Products, Inc. accepts no responsibility for the end use of this detail. For conditions not shown, consult our Technical Staff at (800) 446-8828 for review of specific details.

**DRAWING NAME:**  
P20 4C Horizontal Vertical Option 3.dwg

**SYSTEM:**  
Two Piece Moldings

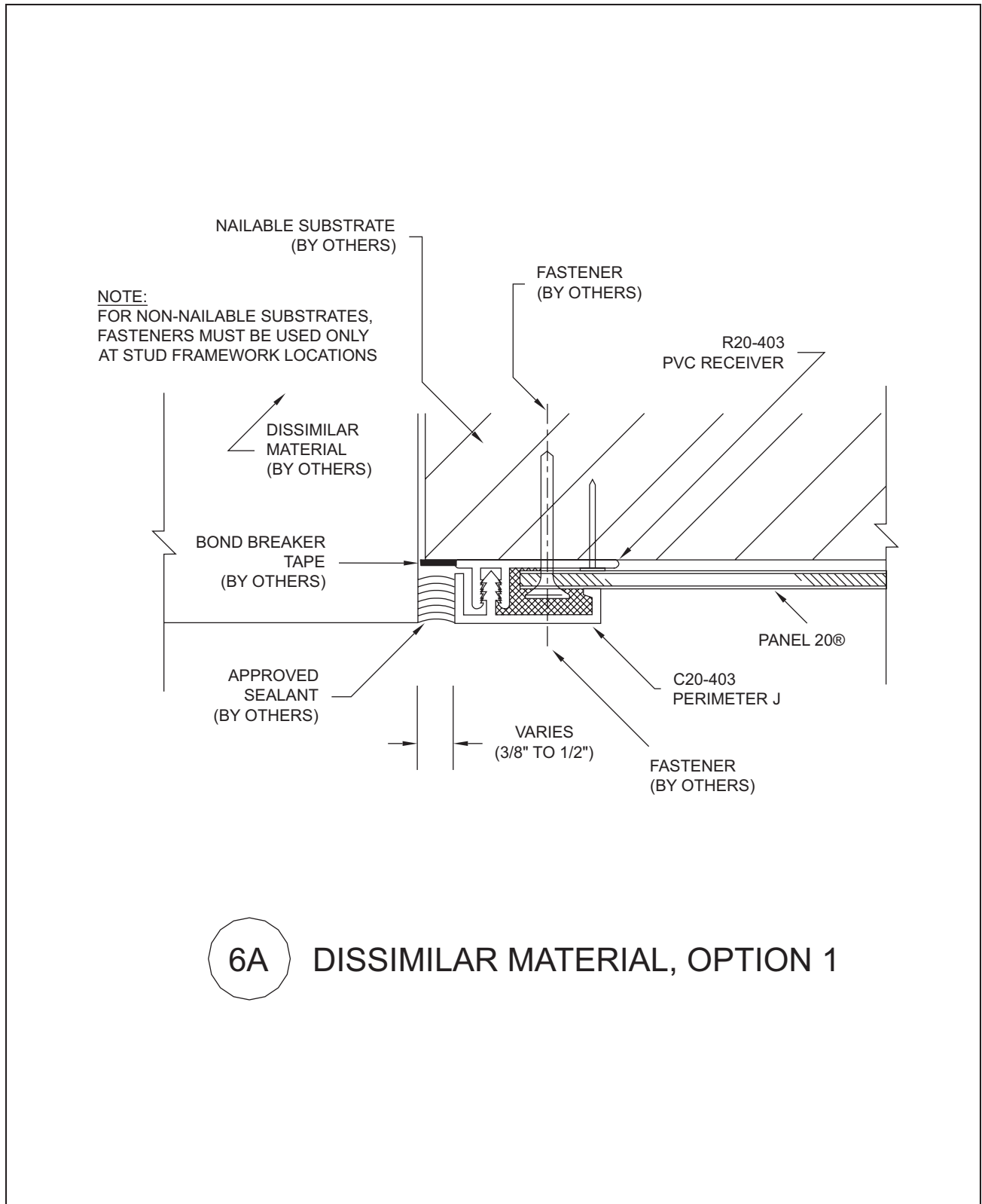
**REVISED:**  
11/06

**SCALE:**  
1:1



5
INTERMEDIATE CONNECTION

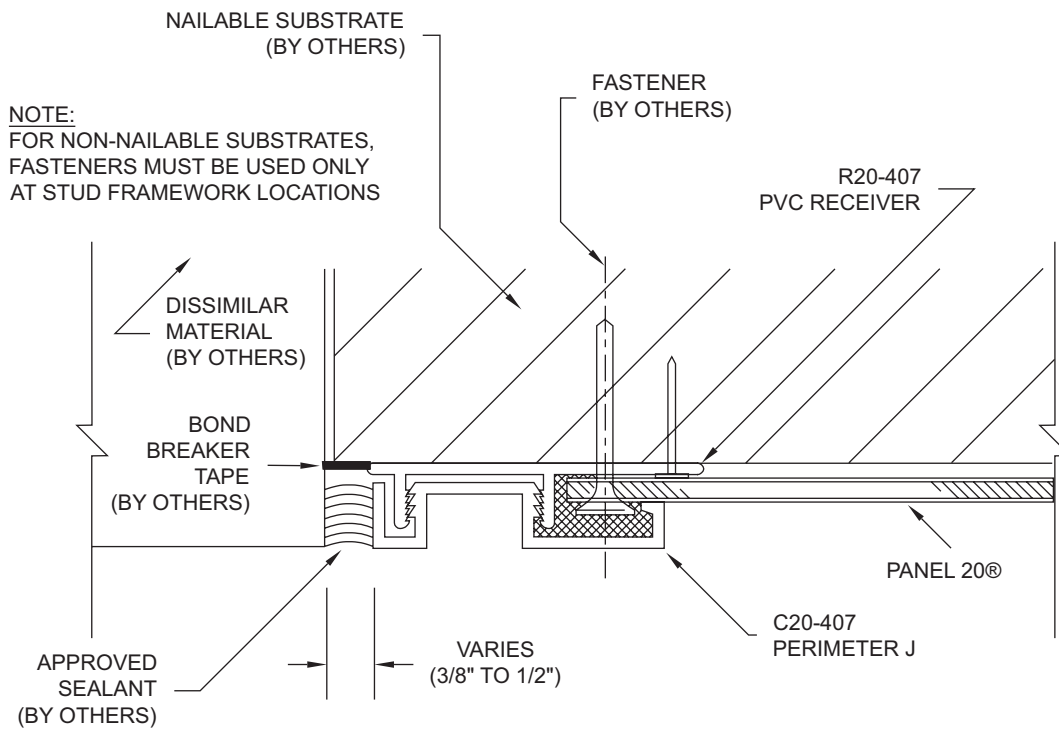
<b>DRAWING NAME:</b> P20 5 Intermediate Connection.dwg			Note: This detail represents the latest recommendations from Citadel Architectural Products, Inc. It is presented in good faith and is subject to change without notice. Citadel Architectural Products, Inc. accepts no responsibility for the end use of this detail. For conditions not shown, consult our Technical Staff at (800) 446-8828 for review of specific details.
<b>SYSTEM:</b> Two Piece Moldings	<b>REVISED:</b> 11/06	<b>SCALE:</b> 1:1	



**6A** DISSIMILAR MATERIAL, OPTION 1

Note: This detail represents the latest recommendations from Citadel Architectural Products, Inc. It is presented in good faith and is subject to change without notice. Citadel Architectural Products, Inc. accepts no responsibility for the end use of this detail. For conditions not shown, consult our Technical Staff at (800) 446-8828 for review of specific details.

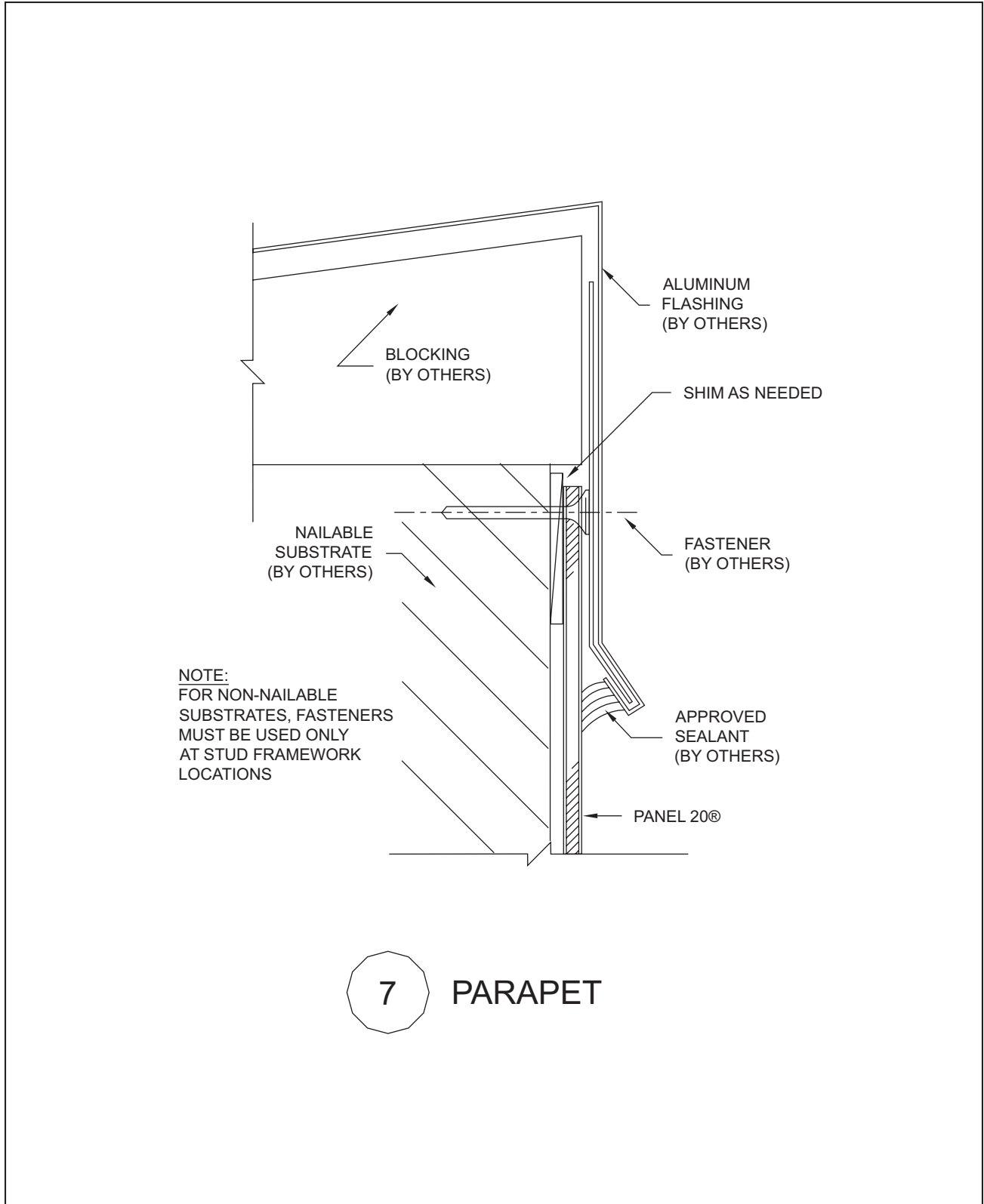
<b>DRAWING NAME:</b> P20 6A Dissimilar Material Option 1.dwg		
<b>SYSTEM:</b> Two Piece Moldings	<b>REVISED:</b> 11/06	<b>SCALE:</b> 1:1



**NOTE:**  
FOR NON-NAILABLE SUBSTRATES,  
FASTENERS MUST BE USED ONLY  
AT STUD FRAMEWORK LOCATIONS

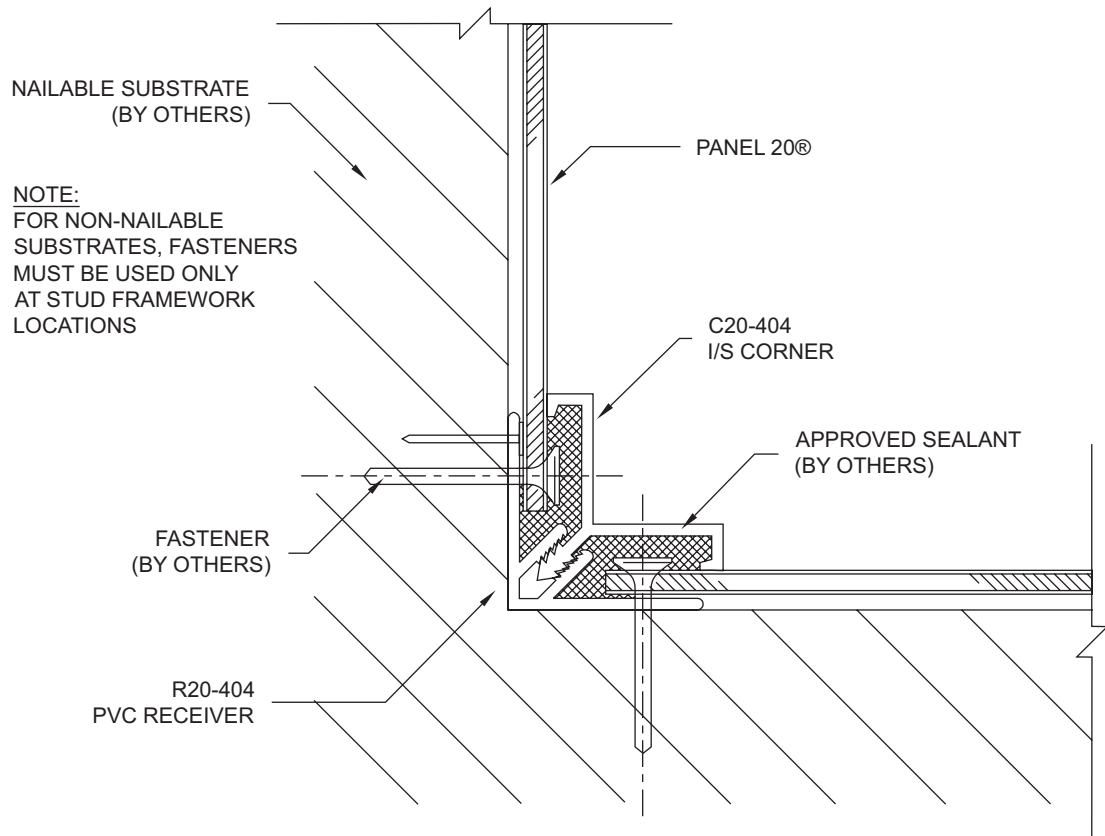
**6B** DISSIMILAR MATERIAL, OPTION 2

<p><b>DRAWING NAME:</b> P20 6B Dissimilar Material Option 2.dwg</p>			<p>Note: This detail represents the latest recommendations from Citadel Architectural Products, Inc. It is presented in good faith and is subject to change without notice. Citadel Architectural Products, Inc. accepts no responsibility for the end use of this detail. For conditions not shown, consult our Technical Staff at (800) 446-8828 for review of specific details.</p>
<p><b>SYSTEM:</b> Two Piece Moldings</p>	<p><b>REVISED:</b> 11/06</p>	<p><b>SCALE:</b> 1:1</p>	



7 PARAPET

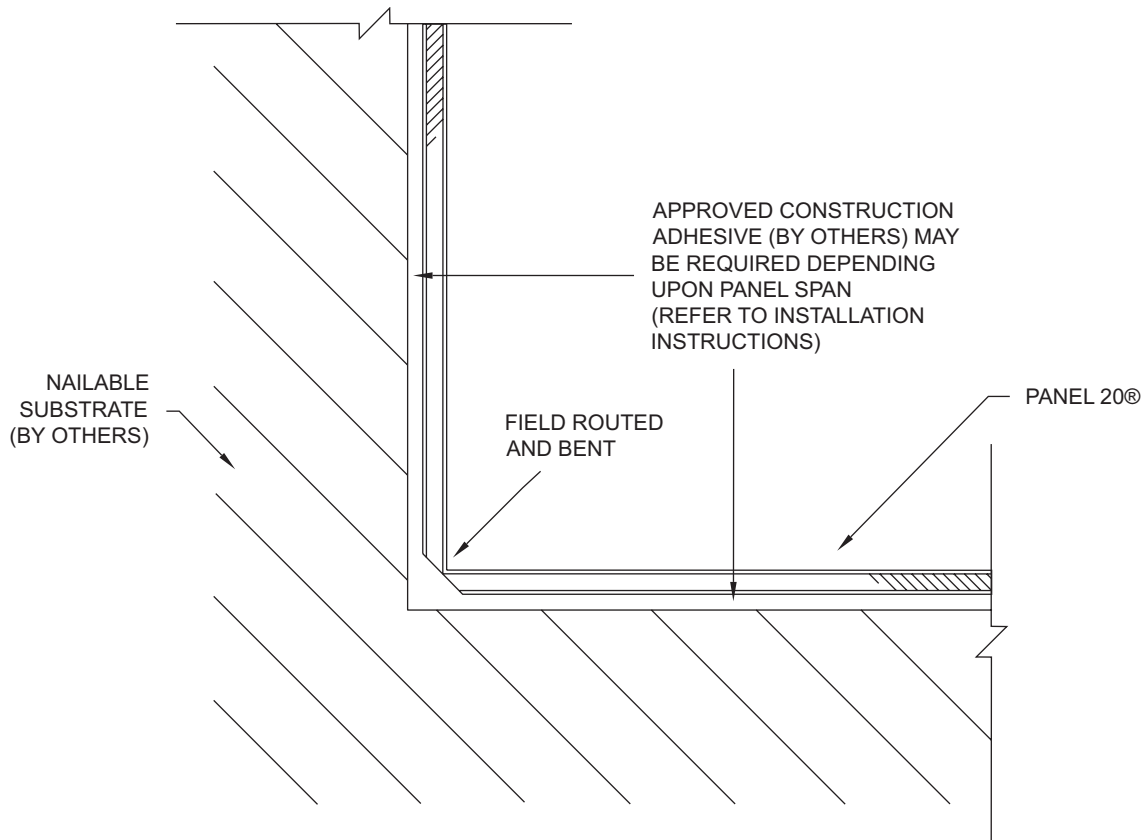
<p>Note: This detail represents the latest recommendations from Citadel Architectural Products, Inc. It is presented in good faith and is subject to change without notice. Citadel Architectural Products, Inc. accepts no responsibility for the end use of this detail. For conditions not shown, consult our Technical Staff at (800) 446-8828 for review of specific details.</p>	<p><b>DRAWING NAME:</b> P20 7 Parapet.dwg</p>		
	<p><b>SYSTEM:</b> Two Piece Moldings</p>	<p><b>REVISED:</b> 11/06</p>	<p><b>SCALE:</b> 1:1</p>



**8A** INSIDE CORNER, OPTION 1

<b>DRAWING NAME:</b> P20 8A Inside Corner Option 1.dwg			Note: This detail represents the latest recommendations from Citadel Architectural Products, Inc. It is presented in good faith and is subject to change without notice. Citadel Architectural Products, Inc. accepts no responsibility for the end use of this detail. For conditions not shown, consult our Technical Staff at (800) 446-8828 for review of specific details.
<b>SYSTEM:</b> Two Piece Moldings	<b>REVISED:</b> 11/06	<b>SCALE:</b> 1:1	





8B

INSIDE CORNER, OPTION 2

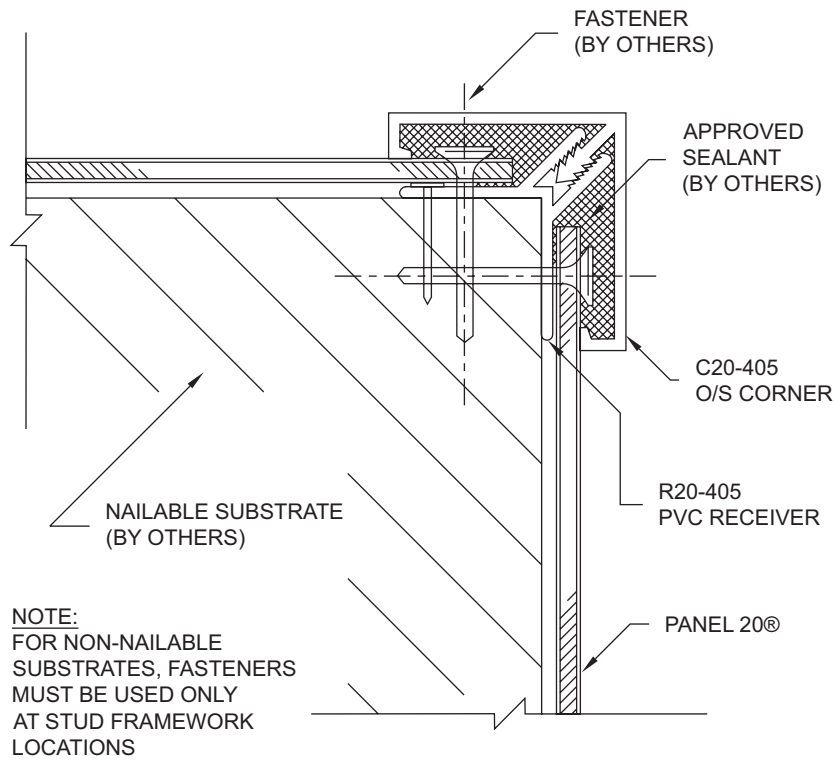
Note: This detail represents the latest recommendations from Citadel Architectural Products, Inc. It is presented in good faith and is subject to change without notice. Citadel Architectural Products, Inc. accepts no responsibility for the end use of this detail. For conditions not shown, consult our Technical Staff at (800) 446-8828 for review of specific details.

**DRAWING NAME:**  
P20 8B Inside Corner Option 2.dwg

**SYSTEM:**  
Two Piece Moldings

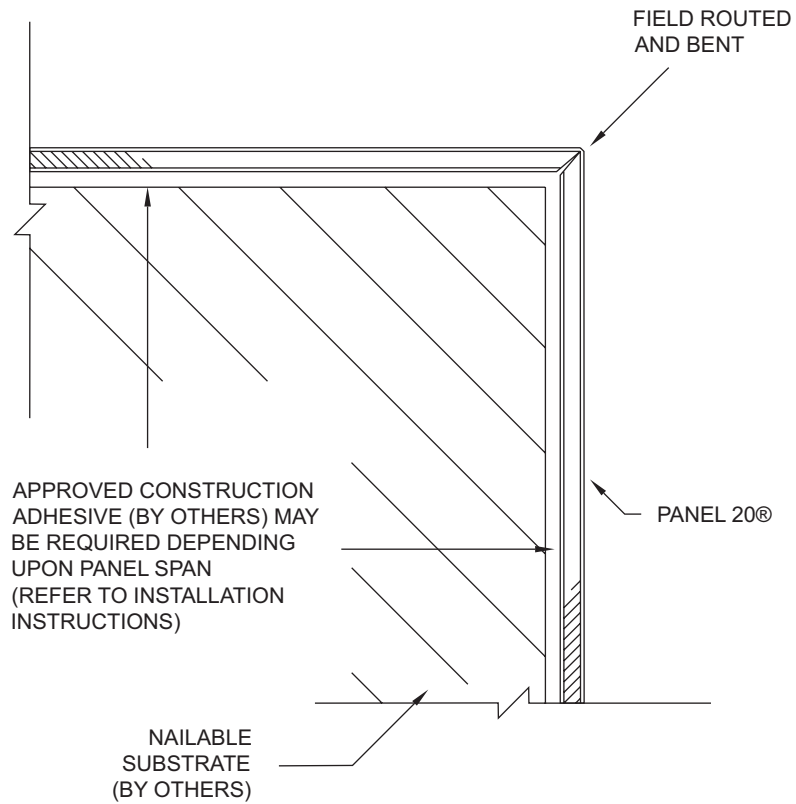
**REVISED:**  
11/06

**SCALE:**  
1:1



9A OUTSIDE CORNER, OPTION 1

<b>DRAWING NAME:</b> P20 9A Outside Corner Option 1.dwg			Note: This detail represents the latest recommendations from Citadel Architectural Products, Inc. It is presented in good faith and is subject to change without notice. Citadel Architectural Products, Inc. accepts no responsibility for the end use of this detail. For conditions not shown, consult our Technical Staff at (800) 446-8828 for review of specific details.
<b>SYSTEM:</b> Two Piece Moldings	<b>REVISED:</b> 11/06	<b>SCALE:</b> 1:1	



**9B** OUTSIDE CORNER, OPTION 2

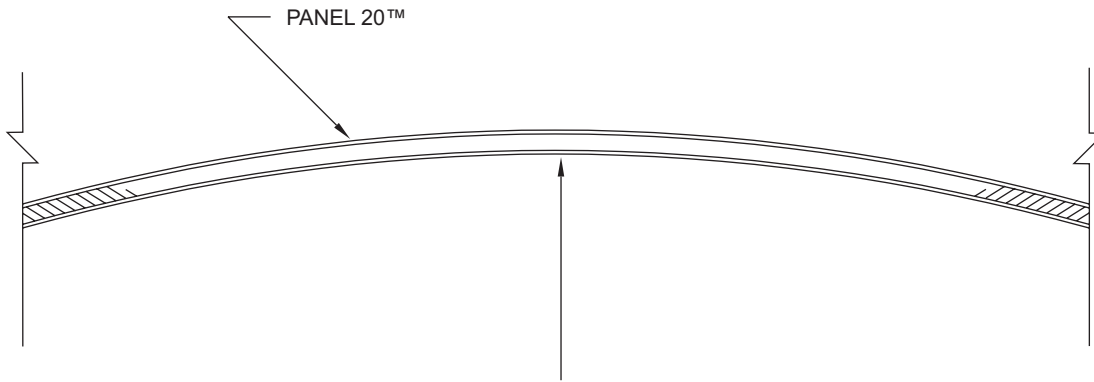
Note: This detail represents the latest recommendations from Citadel Architectural Products, Inc. It is presented in good faith and is subject to change without notice. Citadel Architectural Products, Inc. accepts no responsibility for the end use of this detail. For conditions not shown, consult our Technical Staff at (800) 446-8828 for review of specific details.

**DRAWING NAME:**  
P20 9B Outside Corner Option 2.dwg

**SYSTEM:**  
Two Piece Moldings

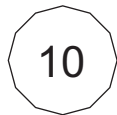
**REVISED:**  
11/06

**SCALE:**  
1:1



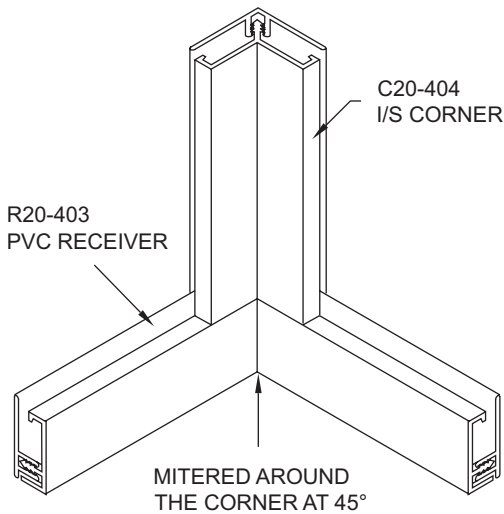
**NOTE:**  
 PANELS CAN BE FACTORY CURVED TO A MINIMUM 12"  
 RADIUS. MOLDINGS MUST ALSO BE FACTORY CURVED.  
 CONTACT CITADEL WITH SPECIFIC REQUIREMENTS.

FOR COLUMN COVERS, PLEASE REFER TO THE  
 ENVELOPE 2000®RR SYSTEM.

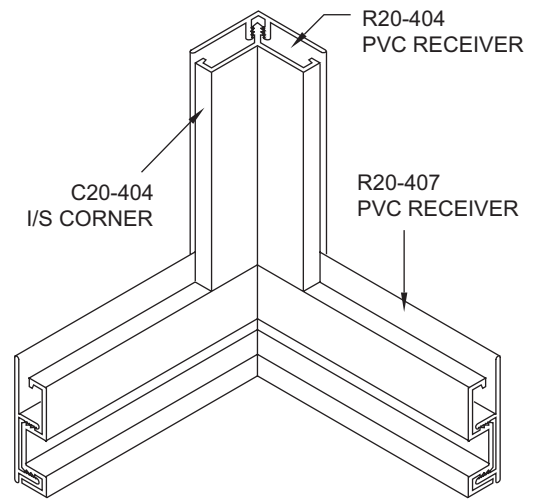


**CURVED SECTION**

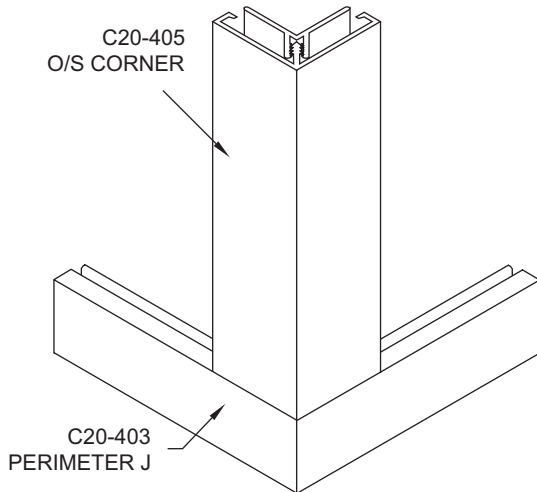
<b>DRAWING NAME:</b> P20 10 Curved Section.dwg			Note: This detail represents the latest recommendations from Citadel Architectural Products, Inc. It is presented in good faith and is subject to change without notice. Citadel Architectural Products, Inc. accepts no responsibility for the end use of this detail. For conditions not shown, consult our Technical Staff at (800) 446-8828 for review of specific details.
<b>SYSTEM:</b> Two Piece Moldings	<b>REVISED:</b> 11/06	<b>SCALE:</b> n/a	



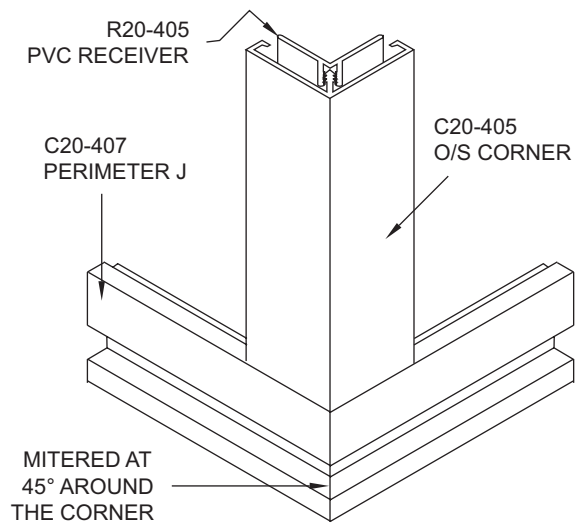
11A BASE INSIDE CORNER, OPTION 1



11B BASE INSIDE CORNER, OPTION 2



12A BASE OUTSIDE CORNER, OPTION 1



12B BASE OUTSIDE CORNER, OPTION 2

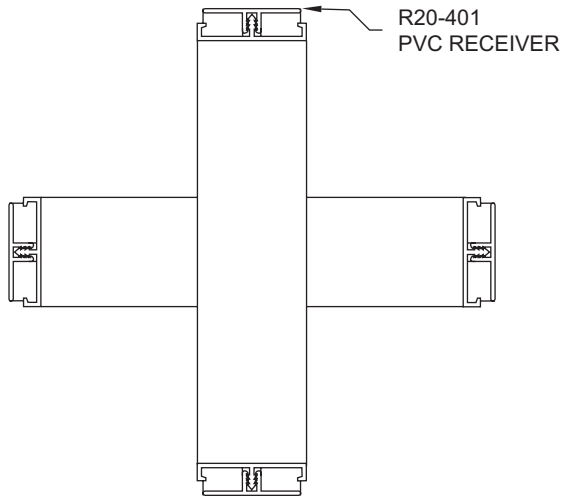
Note: This detail represents the latest recommendations from Citadel Architectural Products, Inc. It is presented in good faith and is subject to change without notice. Citadel Architectural Products, Inc. accepts no responsibility for the end use of this detail. For conditions not shown, consult our Technical Staff at (800) 446-8828 for review of specific details.

**DRAWING NAME:**  
P20 Intersections 11A To 12B.dwg

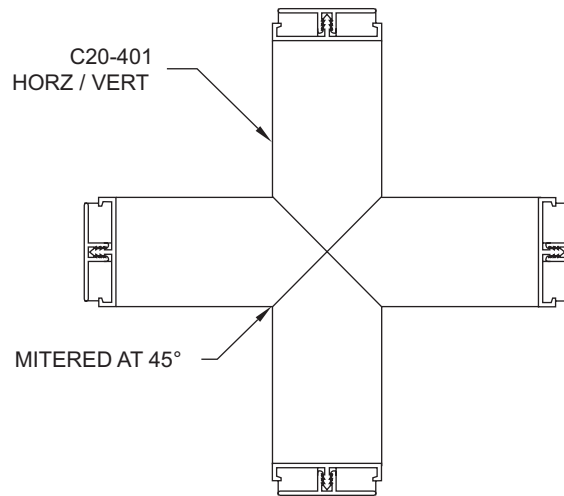
**SYSTEM:**  
Two Piece Moldings

**REVISED:**  
11/06

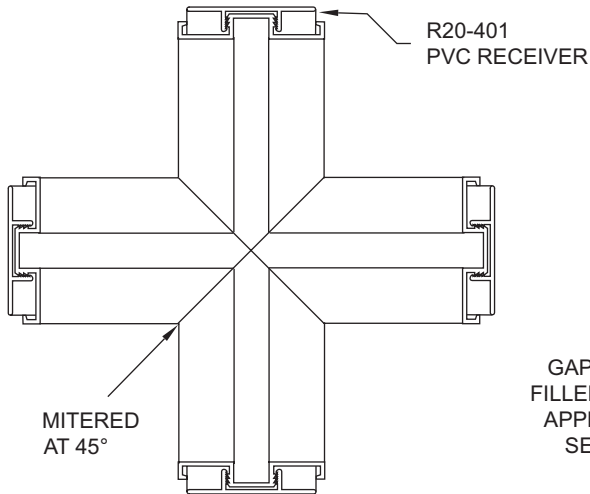
**SCALE:**  
n/a



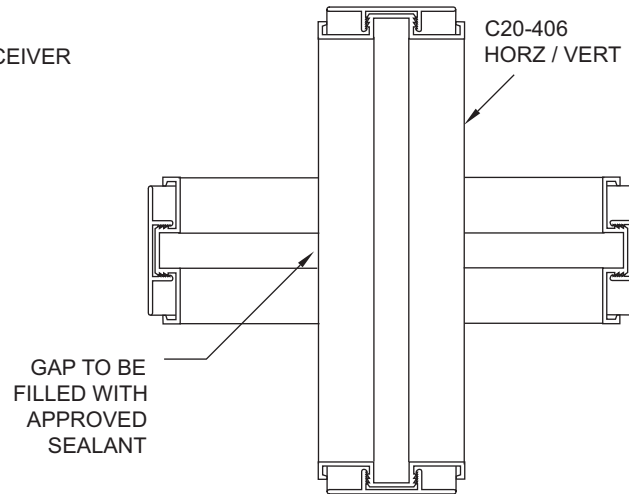
13A HORIZONTAL / VERTICAL, OPTION 1



13B HORIZONTAL / VERTICAL, OPTION 2



13C HORIZONTAL / VERTICAL, OPTION 3



13D HORIZONTAL / VERTICAL, OPTION 4

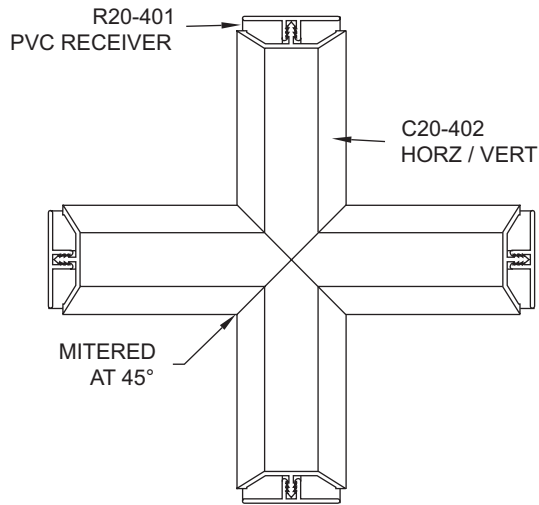
**DRAWING NAME:**  
P20 Intersections 13A To 13D.dwg

**SYSTEM:**  
Two Piece Moldings

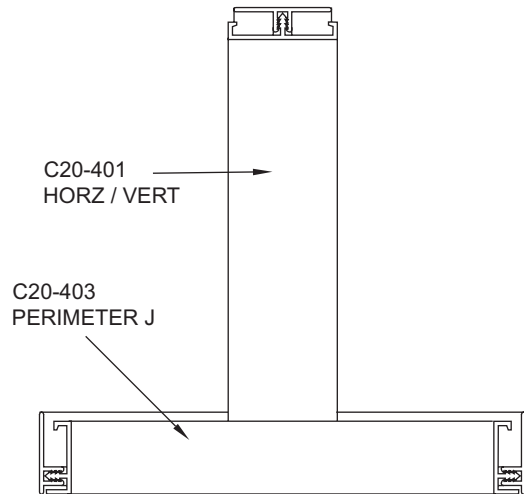
**REVISED:**  
11/06

**SCALE:**  
n/a

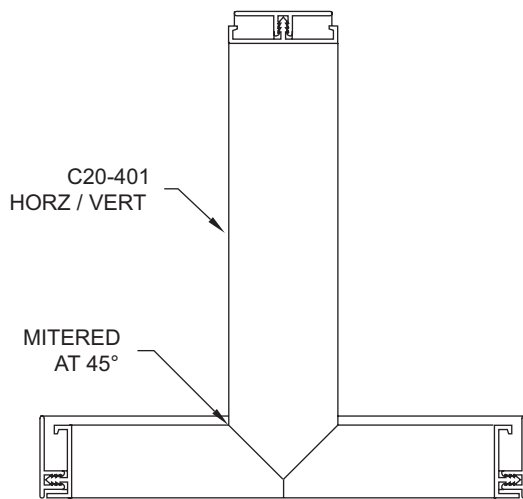
Note: This detail represents the latest recommendations from Citadel Architectural Products, Inc. It is presented in good faith and is subject to change without notice. Citadel Architectural Products, Inc. accepts no responsibility for the end use of this detail. For conditions not shown, consult our Technical Staff at (800) 446-8828 for review of specific details.



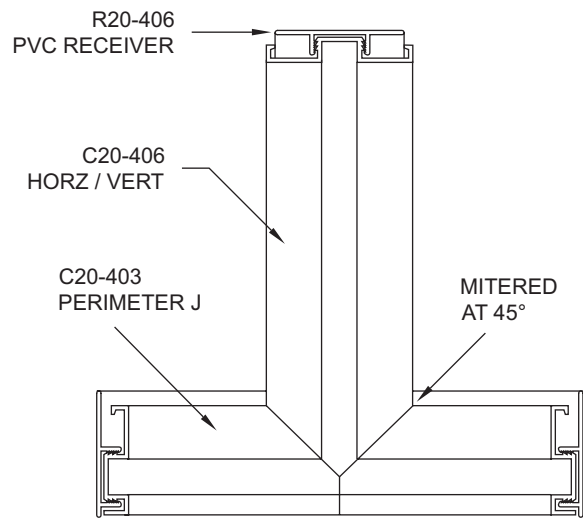
13E HORIZONTAL / VERTICAL, OPTION 5



14A HORZ / VERT TERMINATION, OPTION 1



14B HORZ / VERT TERMINATION, OPTION 2



14C HORZ / VERT TERMINATION, OPTION 3

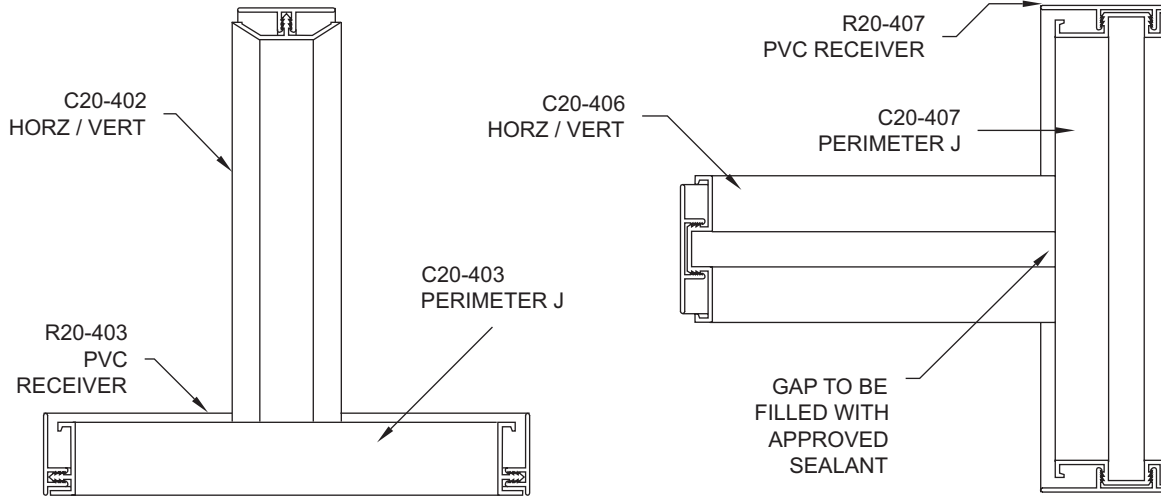
Note: This detail represents the latest recommendations from Citadel Architectural Products, Inc. It is presented in good faith and is subject to change without notice. Citadel Architectural Products, Inc. accepts no responsibility for the end use of this detail. For conditions not shown, consult our Technical Staff at (800) 446-8828 for review of specific details.

**DRAWING NAME:**  
P20 Intersections 13D To 14C.dwg

**SYSTEM:**  
Two Piece Moldings

**REVISED:**  
11/06

**SCALE:**  
n/a

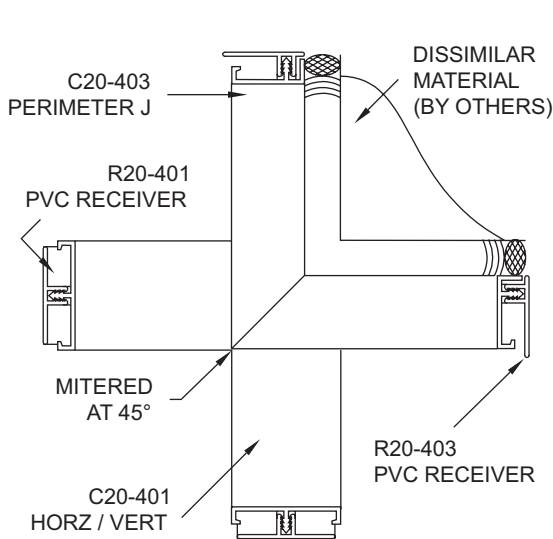


14D HORZ / VERT TERMINATION, OPTION 4

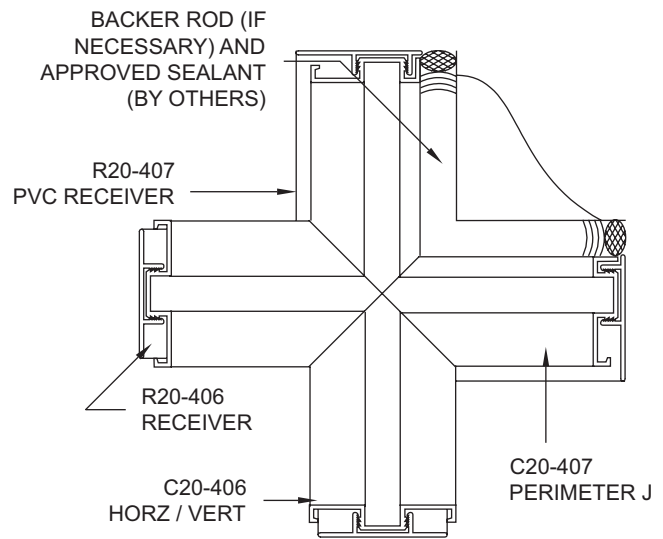
15 HORIZONTAL TERMINATION ONLY

<b>DRAWING NAME:</b> P20 Intersections 14D To 15.dwg			Note: This detail represents the latest recommendations from Citadel Architectural Products, Inc. It is presented in good faith and is subject to change without notice. Citadel Architectural Products, Inc. accepts no responsibility for the end use of this detail. For conditions not shown, consult our Technical Staff at (800) 446-8828 for review of specific details.
<b>SYSTEM:</b> Two Piece Moldings	<b>REVISED:</b> 11/06	<b>SCALE:</b> n/a	

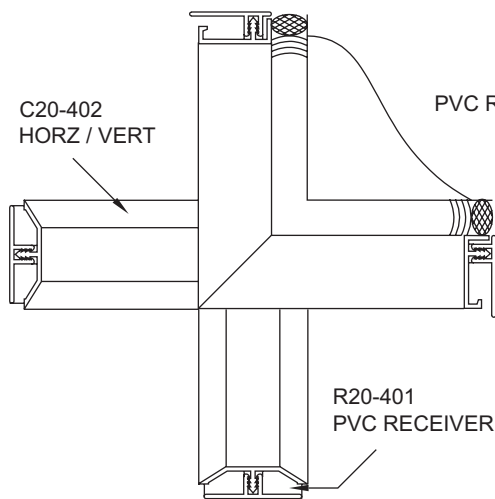




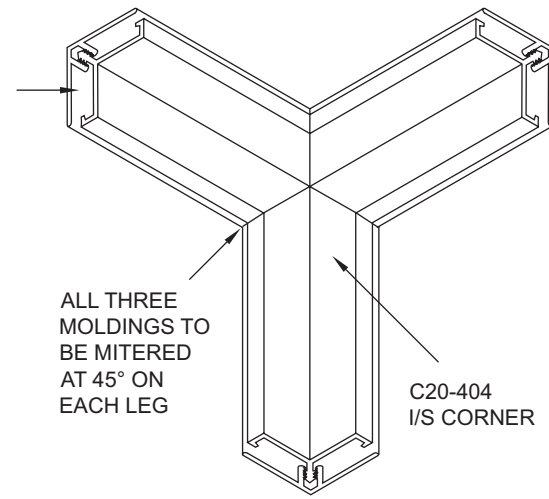
16A DISSIMILAR MATERIAL CORNER, OPT. 1



16B DISSIMILAR MATERIAL CORNER, OPT. 2



16C DISSIMILAR MATERIAL CORNER, OPT. 3



17 THREE WAY INSIDE CORNER

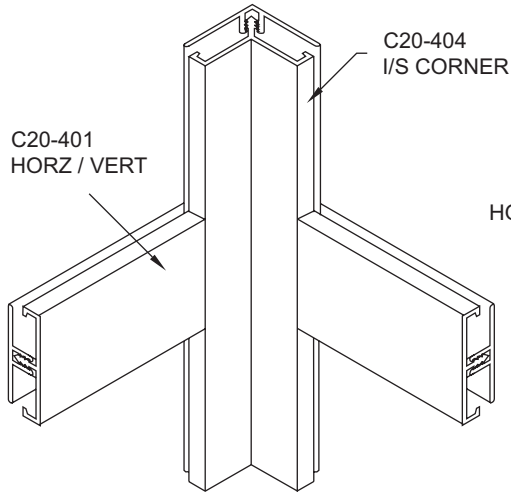
Note: This detail represents the latest recommendations from Citadel Architectural Products, Inc. It is presented in good faith and is subject to change without notice. Citadel Architectural Products, Inc. accepts no responsibility for the end use of this detail. For conditions not shown, consult our Technical Staff at (800) 446-8828 for review of specific details.

**DRAWING NAME:**  
P20 Intersections 16A To 17.dwg

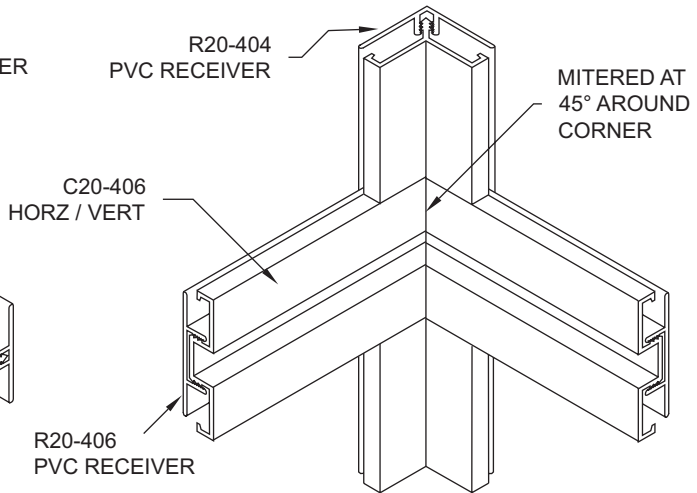
**SYSTEM:**  
Two Piece Moldings

**REVISED:**  
11/06

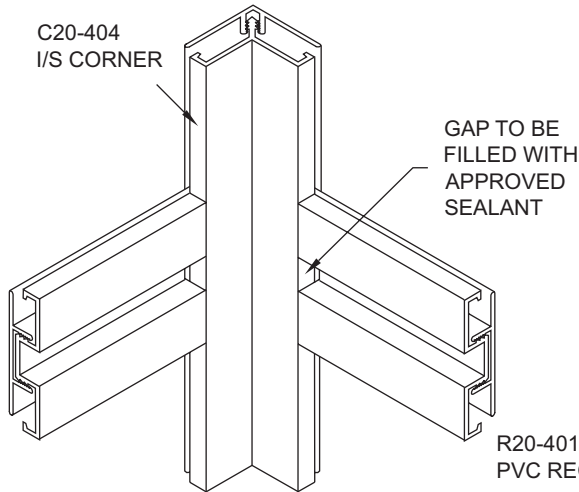
**SCALE:**  
n/a



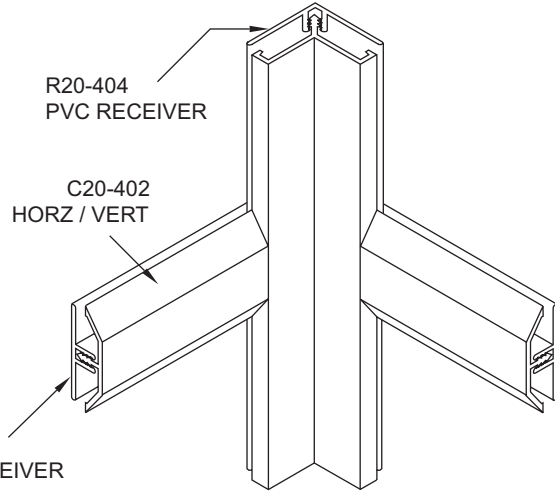
18A INSIDE CORNER, OPTION 1



18B INSIDE CORNER, OPTION 2



18C INSIDE CORNER, OPTION 3



18D INSIDE CORNER, OPTION 4

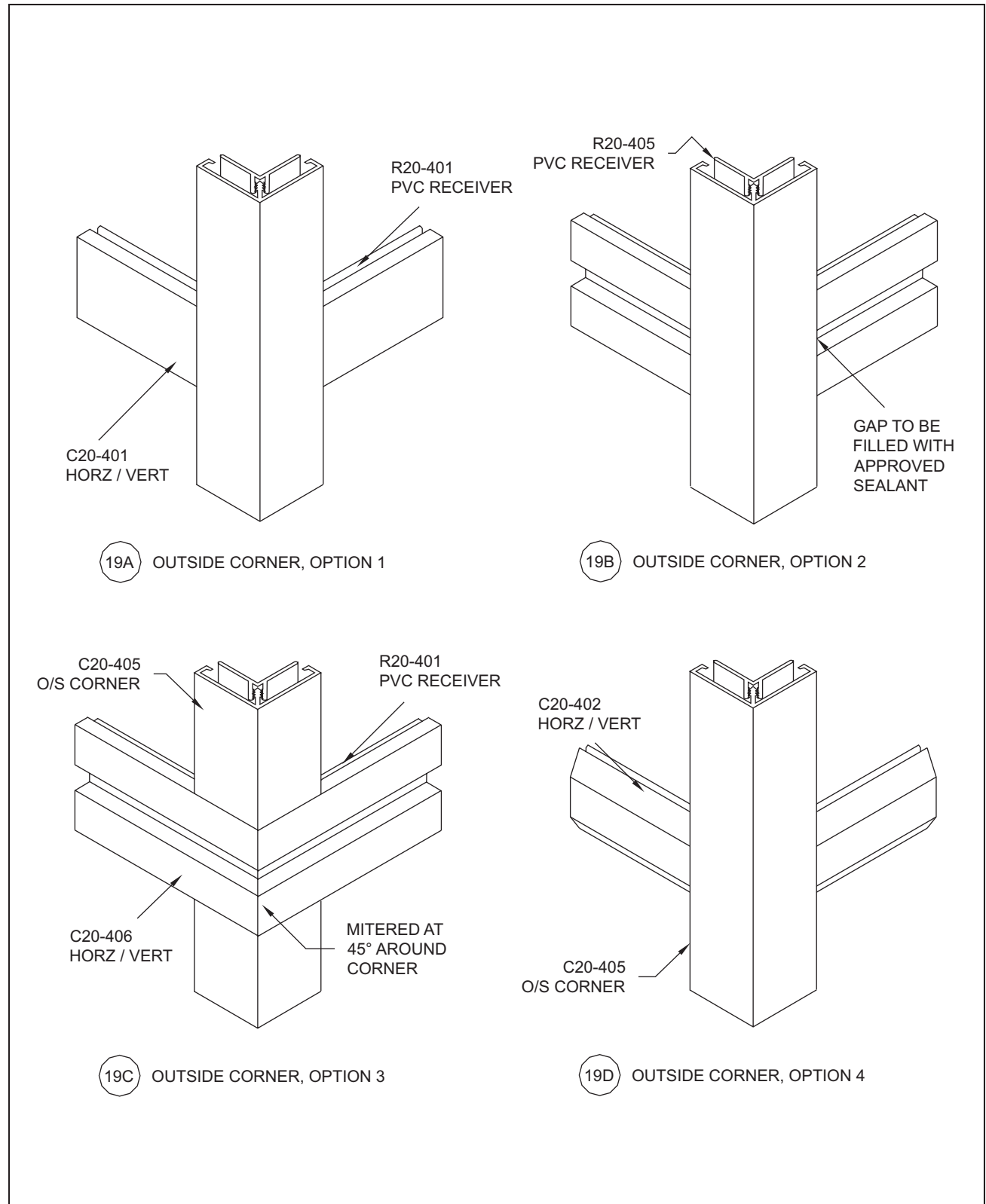
**DRAWING NAME:**  
P20 Intersections 18A To 18D.dwg

**SYSTEM:**  
Two Piece Moldings

**REVISED:**  
11/06

**SCALE:**  
n/a

Note: This detail represents the latest recommendations from Citadel Architectural Products, Inc. It is presented in good faith and is subject to change without notice. Citadel Architectural Products, Inc. accepts no responsibility for the end use of this detail. For conditions not shown, consult our Technical Staff at (800) 446-8828 for review of specific details.



<p>Note: This detail represents the latest recommendations from Citadel Architectural Products, Inc. It is presented in good faith and is subject to change without notice. Citadel Architectural Products, Inc. accepts no responsibility for the end use of this detail. For conditions not shown, consult our Technical Staff at (800) 446-8828 for review of specific details.</p>	<p><b>DRAWING NAME:</b> P20 Intersections 19A To 19D.dwg</p>		
	<p><b>SYSTEM:</b> Two Piece Moldings</p>	<p><b>REVISED:</b> 11/06</p>	<p><b>SCALE:</b> n/a</p>

