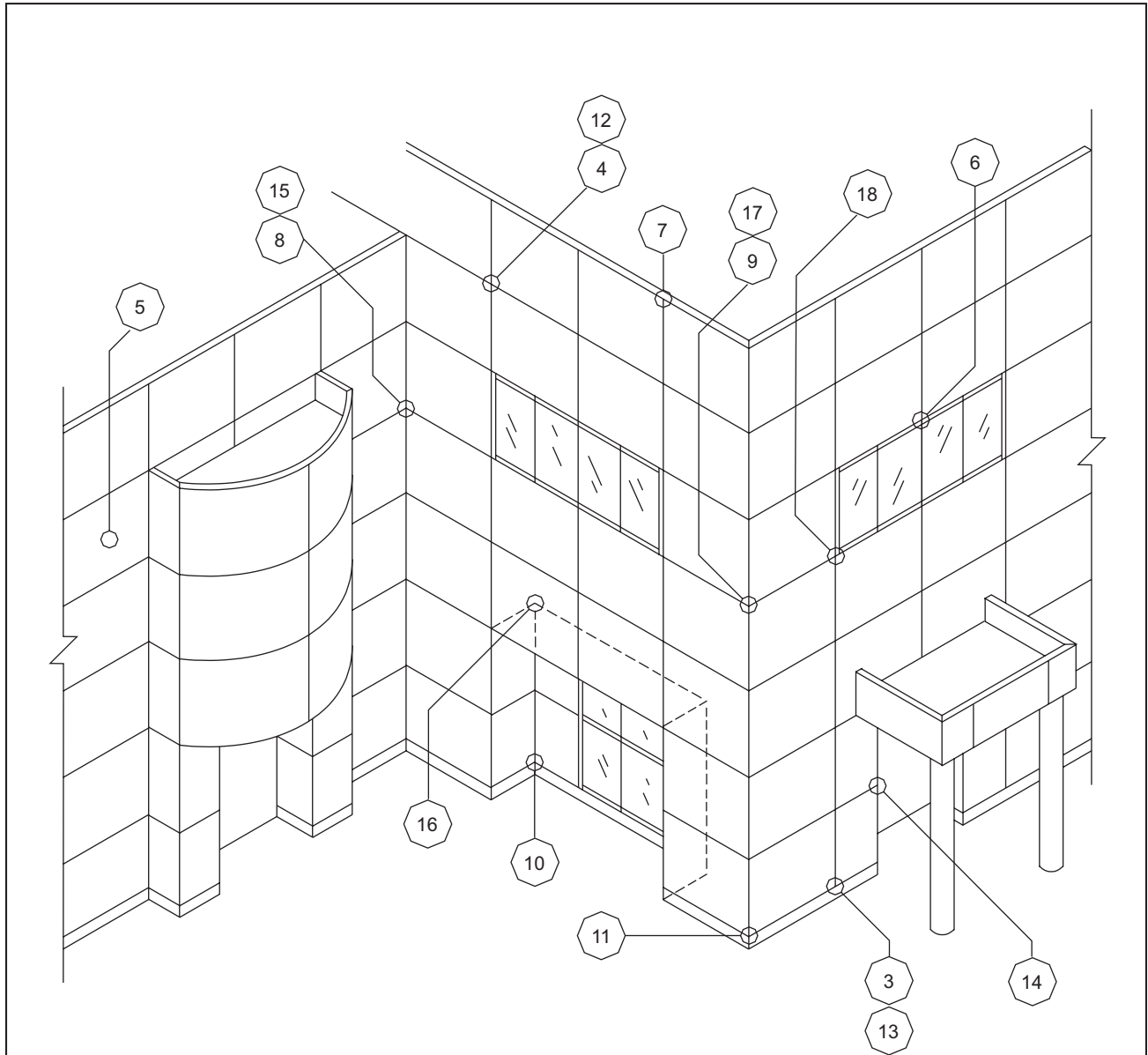


# Typical Details: Two Piece Molding System



**GENERAL DETAILS**

- 1A - B: SYSTEM ISOMETRIC
- 2A - C: MOLDING DIMENSIONS

**SECTION DETAILS**

- 3A - C: BASE / FOUNDATION
- 4A - C: HORIZONTAL / VERTICAL
- 5: INTERMEDIATE CONNECTION

**6A - C: DISSIMILAR MATERIAL**

- 7: PARAPET
- 8A - B: INSIDE CORNER
- 9A - B: OUTSIDE CORNER

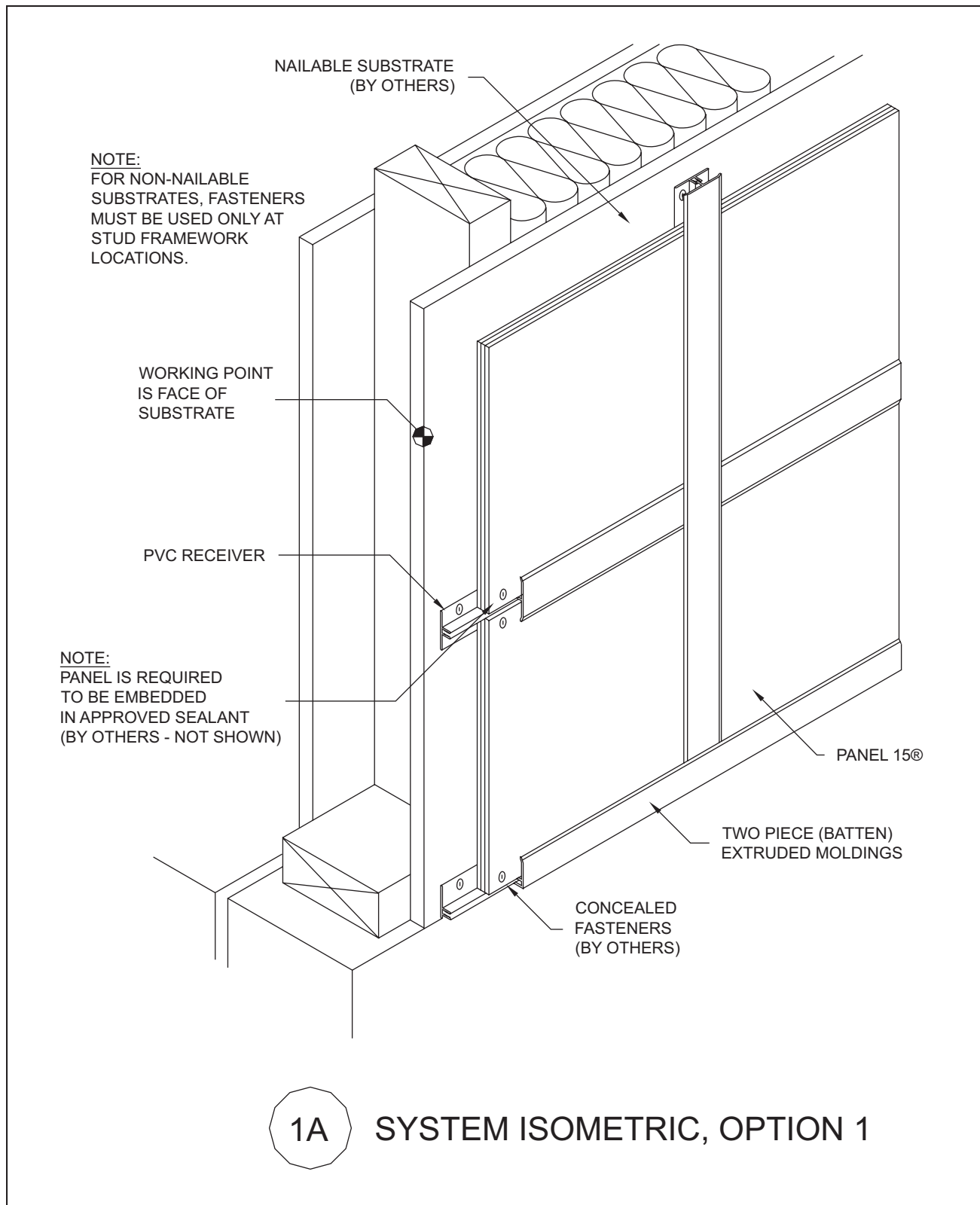
**INTERSECTION DETAILS**

- 10A - B: BASE INSIDE CORNER
- 11A - B: BASE OUTSIDE CORNER
- 12A - D: HORIZONTAL / VERTICAL

**13A - C: HORZ / VERT TERMINATION**

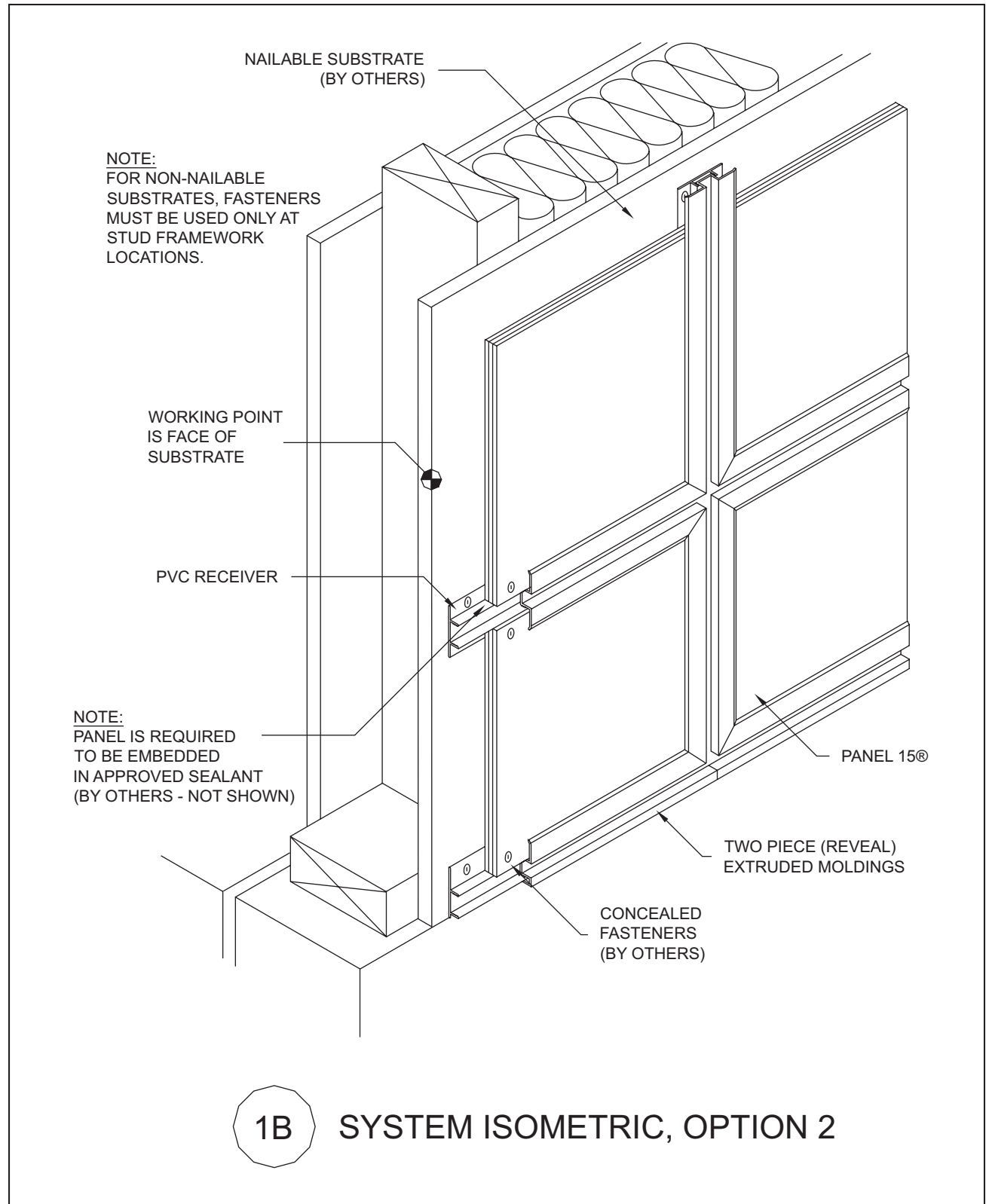
- 14: HORZ TERMINATION ONLY
- 15A - C: INSIDE CORNER
- 17A - C: OUTSIDE CORNER
- 18A - B: DISSIMILAR MATERIAL CORNER

©2003 Citadel Architectural Products, Inc. An ISO 9001:2000 Registered Company.  
 Panel 15® is a registered trademark of Citadel Architectural Products, Inc.  
 Printed In The U.S.A. Form # 7.01.TD2.B Rev. (11/06) Supersedes (06/03)



1A SYSTEM ISOMETRIC, OPTION 1

<p><b>DRAWING NAME:</b> P15 2PC 1A System Isometric Option 1.dwg</p>			<p>Note: This detail represents the latest recommendations from Citadel Architectural Products, Inc. It is presented in good faith and is subject to change without notice. Citadel Architectural Products, Inc. accepts no responsibility for the end use of this detail. For conditions not shown, consult our Technical Staff at (800) 446-8828 for review of specific details.</p>
<p><b>SYSTEM:</b> Two Piece Moldings</p>	<p><b>REVISED:</b> 11/06</p>	<p><b>SCALE:</b> n/a</p>	



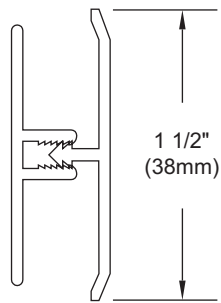
Note: This detail represents the latest recommendations from Citadel Architectural Products, Inc. It is presented in good faith and is subject to change without notice. Citadel Architectural Products, Inc. accepts no responsibility for the end use of this detail. For conditions not shown, consult our Technical Staff at (800) 446-8828 for review of specific details.

**DRAWING NAME:**  
P15 2PC 1B System Isometric Option 2.dwg

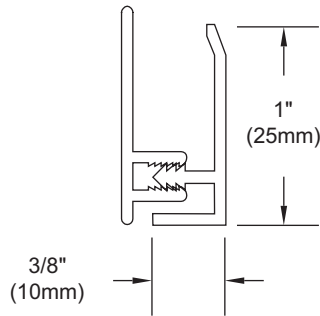
**SYSTEM:**  
Two Piece Moldings

**REVISED:**  
11/06

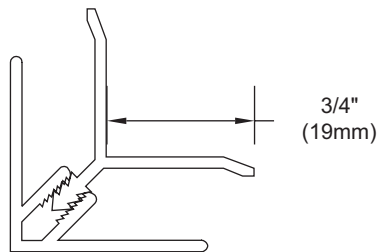
**SCALE:**  
n/a



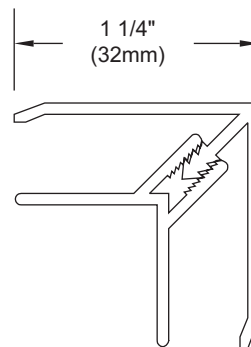
ST-601MX  
HORZ / VERT  
R20-401  
PVC RECEIVER



ST-603MX  
PERIMETER J  
R20-403  
PVC RECEIVER



ST-605MX  
INSIDE CORNER  
R20-404  
PVC RECEIVER

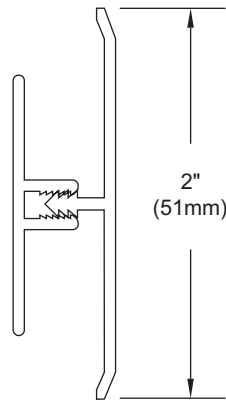


ST-607MX  
OUTSIDE CORNER  
R20-405  
PVC RECEIVER



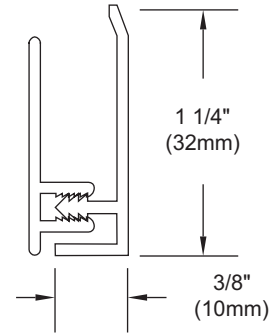
MOLDING DIMENSIONS, PAGE 1

<p><b>DRAWING NAME:</b> P15 2PC 2A Molding Dimensions Page 1.dwg</p>			<p>Note: This detail represents the latest recommendations from Citadel Architectural Products, Inc. It is presented in good faith and is subject to change without notice. Citadel Architectural Products, Inc. accepts no responsibility for the end use of this detail. For conditions not shown, consult our Technical Staff at (800) 446-8828 for review of specific details.</p>
<p><b>SYSTEM:</b> Two Piece Moldings</p>	<p><b>REVISED:</b> 11/06</p>	<p><b>SCALE:</b> 1:1</p>	



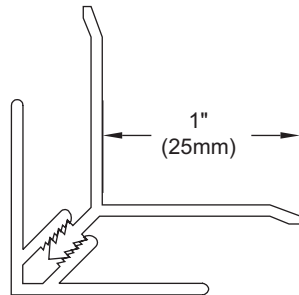
ST-201MX  
HORZ / VERT  
(EXTENDED FACE)

R20-401  
PVC RECEIVER



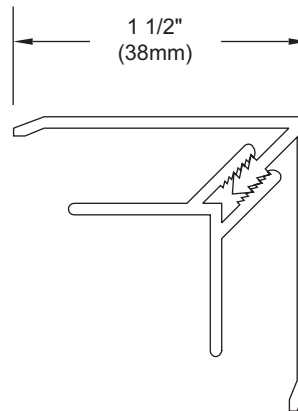
ST-203MX  
PERIMETER J  
(EXTENDED FACE)

R20-403  
PVC RECEIVER



ST-205MX  
INSIDE CORNER  
(EXTENDED FACE)

R20-404  
PVC RECEIVER



ST-207MX  
OUTSIDE CORNER  
(EXTENDED FACE)

R20-405  
PVC RECEIVER



## MOLDING DIMENSIONS, PAGE 2

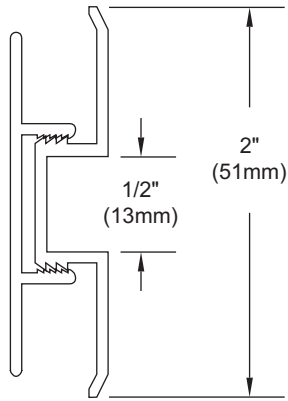
Note: This detail represents the latest recommendations from Citadel Architectural Products, Inc. It is presented in good faith and is subject to change without notice. Citadel Architectural Products, Inc. accepts no responsibility for the end use of this detail. For conditions not shown, consult our Technical Staff at (800) 446-8828 for review of specific details.

**DRAWING NAME:**  
P15 2PC 2B Molding Dimensions Page 2.dwg

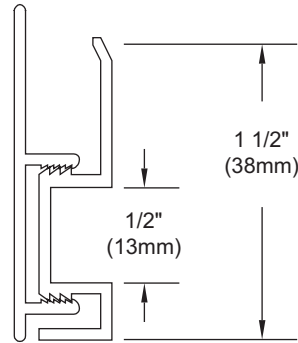
**SYSTEM:**  
Two Piece Moldings

**REVISED:**  
11/06

**SCALE:**  
1:1



SR-701MX  
HORZ / VERT  
  
R20-406  
PVC RECEIVER

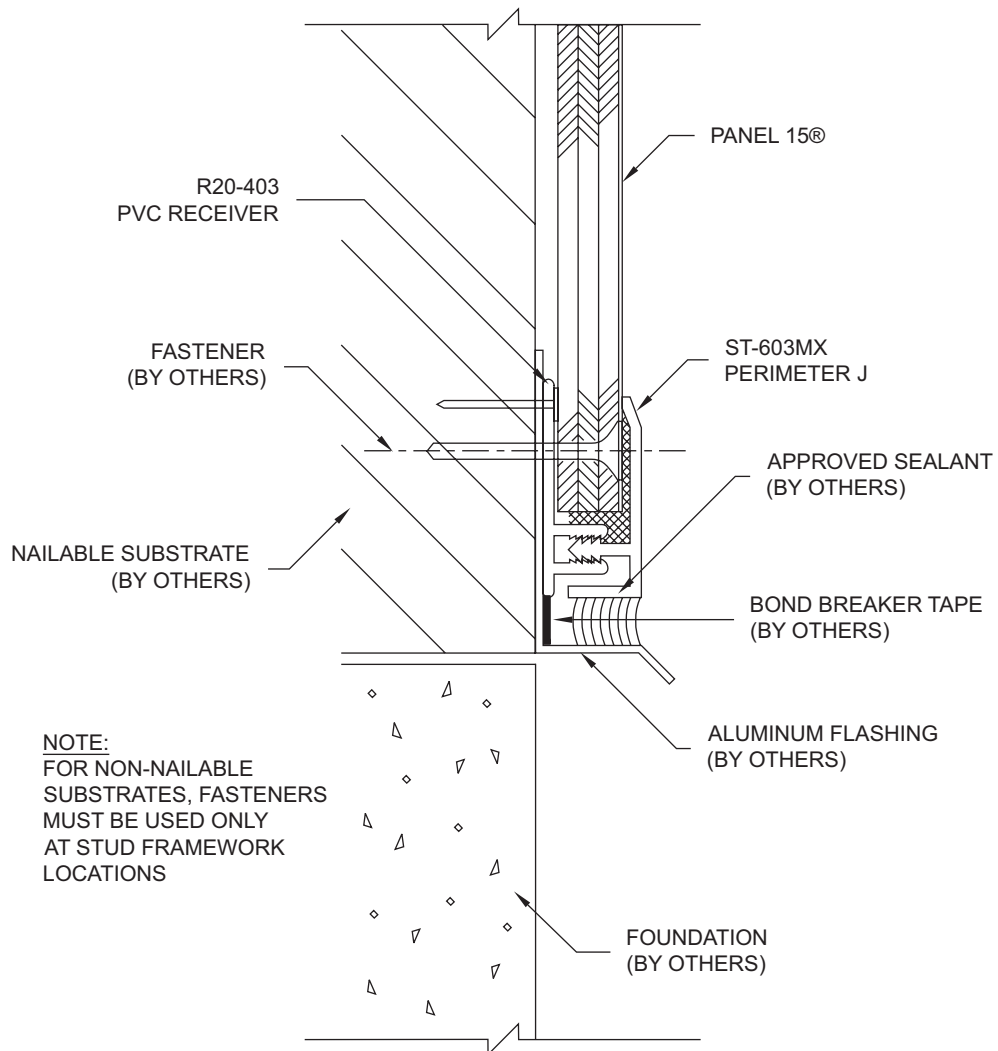


SR-703MX  
PERIMETER J  
  
R20-407  
PVC RECEIVER



MOLDING DIMENSIONS, PAGE 3

<b>DRAWING NAME:</b> P15 2PC 2C Molding Dimensions, Page 3.dwg			Note: This detail represents the latest recommendations from Citadel Architectural Products, Inc. It is presented in good faith and is subject to change without notice. Citadel Architectural Products, Inc. accepts no responsibility for the end use of this detail. For conditions not shown, consult our Technical Staff at (800) 446-8828 for review of specific details.
<b>SYSTEM:</b> Two Piece Moldings	<b>REVISED:</b> 11/06	<b>SCALE:</b> 1:1	



NOTE:  
FOR NON-NAILABLE  
SUBSTRATES, FASTENERS  
MUST BE USED ONLY  
AT STUD FRAMEWORK  
LOCATIONS



**3A BASE / FOUNDATION, OPTION 1**

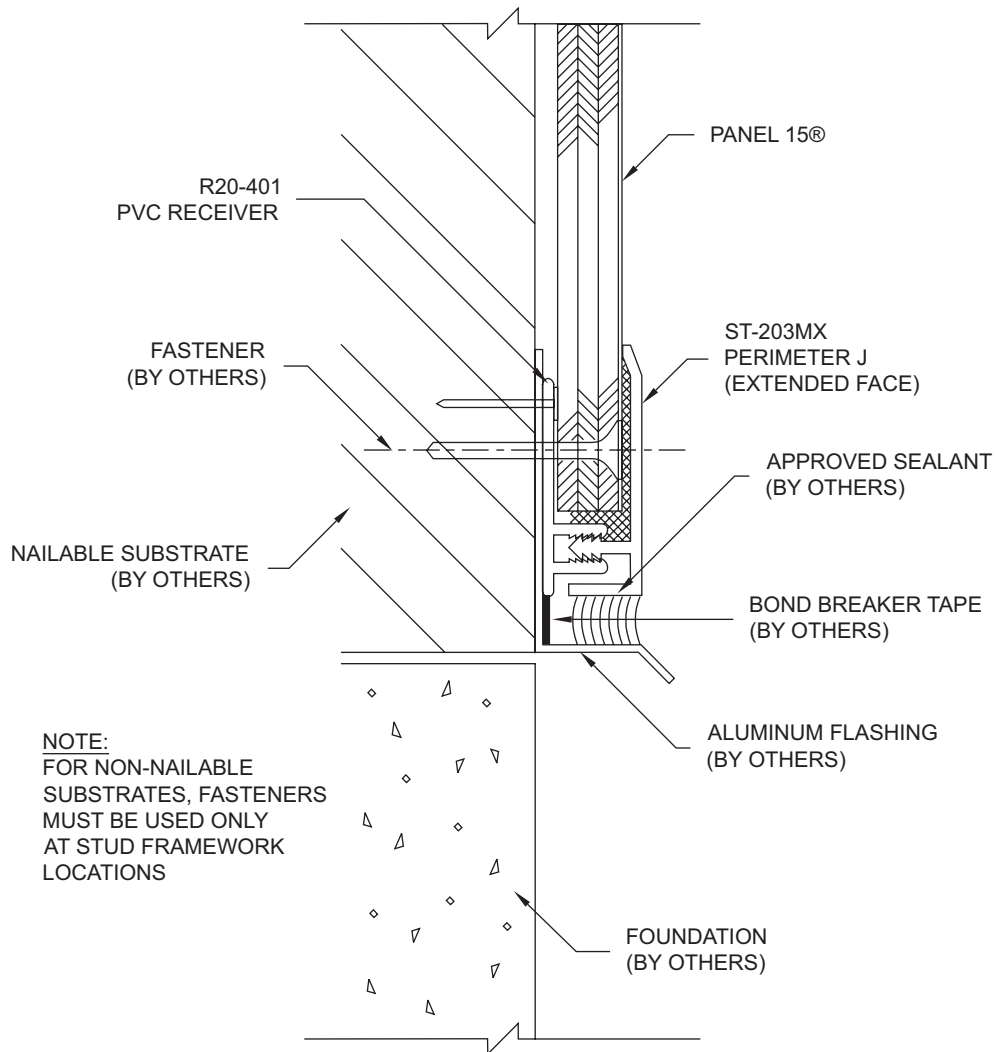
Note: This detail represents the latest recommendations from Citadel Architectural Products, Inc. It is presented in good faith and is subject to change without notice. Citadel Architectural Products, Inc. accepts no responsibility for the end use of this detail. For conditions not shown, consult our Technical Staff at (800) 446-8828 for review of specific details.

**DRAWING NAME:**  
P15 2PC 3A Base Foundation Option 1.dwg

**SYSTEM:**  
Two Piece Moldings

**REVISED:**  
11/06

**SCALE:**  
1:1

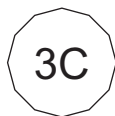
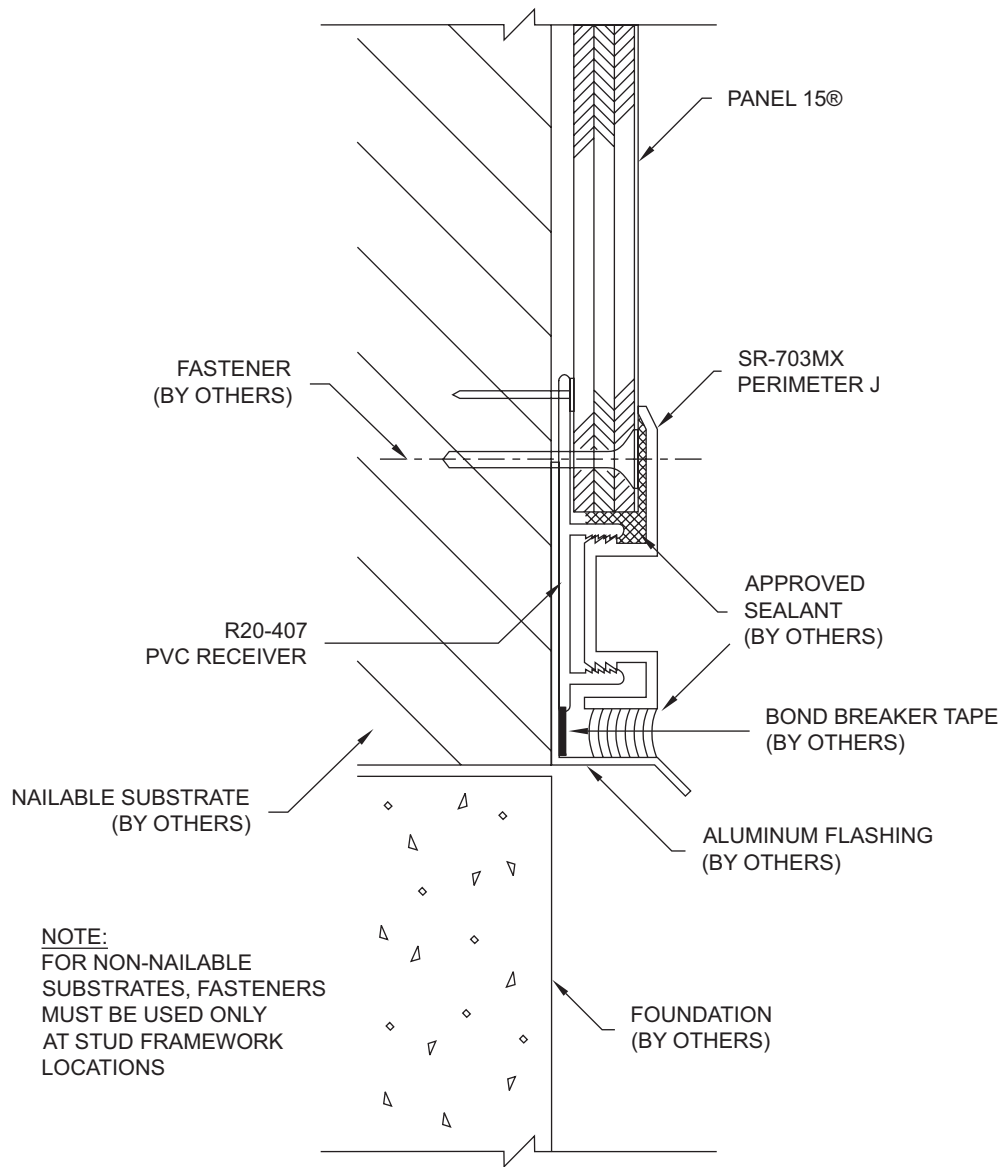


3B

BASE / FOUNDATION, OPTION 2

<p><b>DRAWING NAME:</b> P15 2PC 3B Base Foundation Option 2.dwg</p>			<p>Note: This detail represents the latest recommendations from Citadel Architectural Products, Inc. It is presented in good faith and is subject to change without notice. Citadel Architectural Products, Inc. accepts no responsibility for the end use of this detail. For conditions not shown, consult our Technical Staff at (800) 446-8828 for review of specific details.</p>
<p><b>SYSTEM:</b> Two Piece Moldings</p>	<p><b>REVISED:</b> 11/06</p>	<p><b>SCALE:</b> 1:1</p>	





**3C BASE / FOUNDATION, OPTION 3**

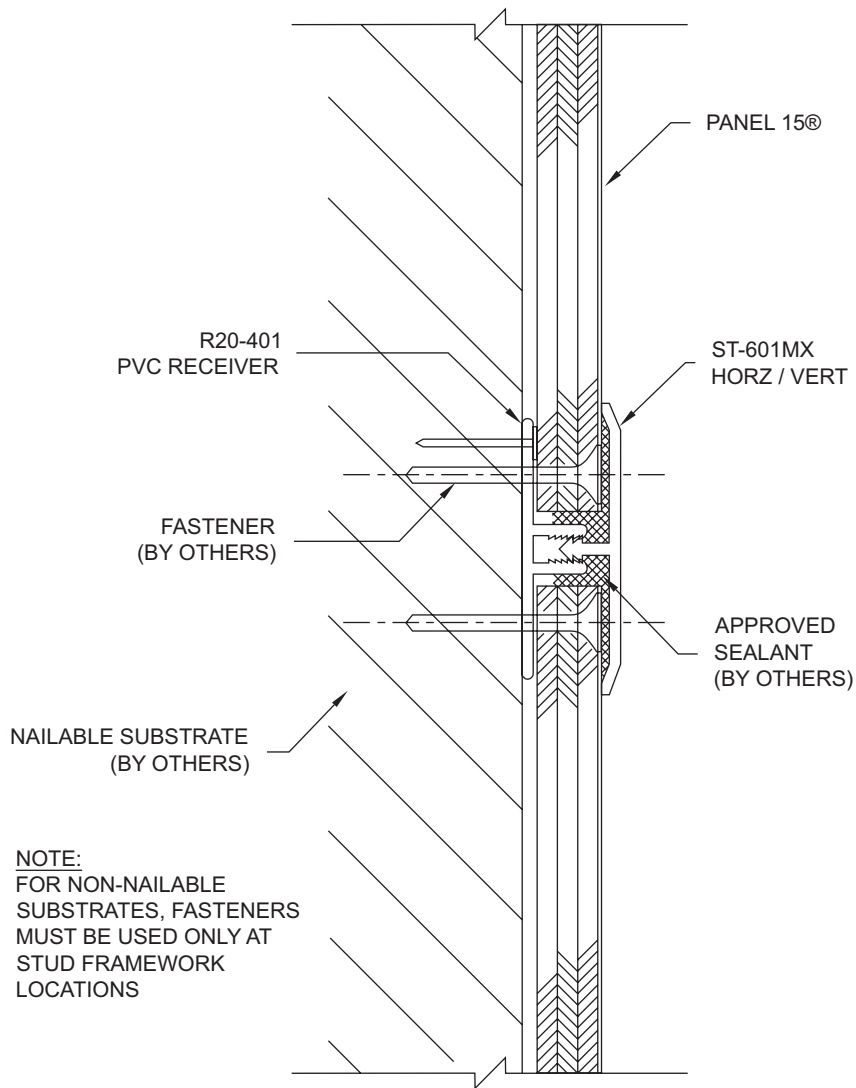
Note: This detail represents the latest recommendations from Citadel Architectural Products, Inc. It is presented in good faith and is subject to change without notice. Citadel Architectural Products, Inc. accepts no responsibility for the end use of this detail. For conditions not shown, consult our Technical Staff at (800) 446-8828 for review of specific details.

**DRAWING NAME:**  
P15 2PC 3C Base Foundation Option 3.dwg

**SYSTEM:**  
Two Piece Moldings

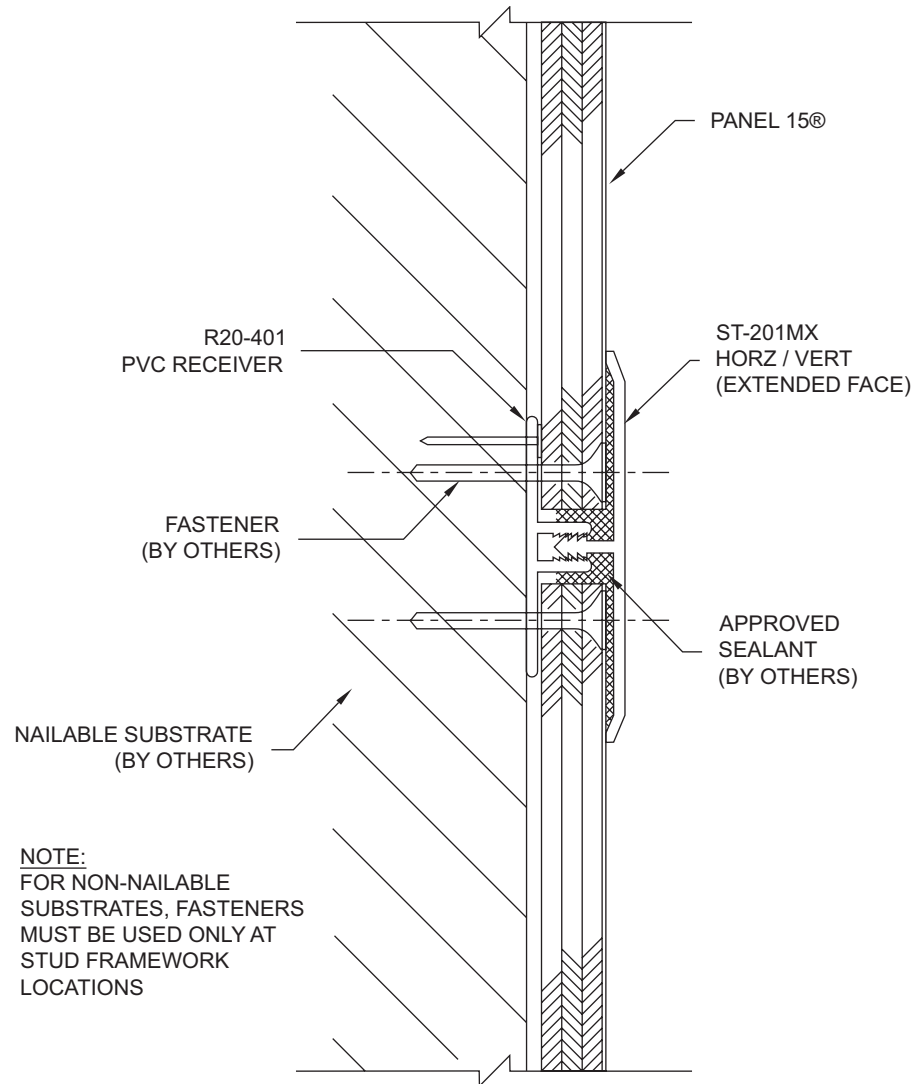
**REVISED:**  
11/06

**SCALE:**  
1:1



**4A HORIZONTAL / VERTICAL, OPTION 1**

<p><b>DRAWING NAME:</b> P15 2PC 4A Horizontal Vertical Option 1.dwg</p>			<p>Note: This detail represents the latest recommendations from Citadel Architectural Products, Inc. It is presented in good faith and is subject to change without notice. Citadel Architectural Products, Inc. accepts no responsibility for the end use of this detail. For conditions not shown, consult our Technical Staff at (800) 446-8828 for review of specific details.</p>
<p><b>SYSTEM:</b> Two Piece Moldings</p>	<p><b>REVISED:</b> 11/06</p>	<p><b>SCALE:</b> 1:1</p>	



**4B HORIZONTAL / VERTICAL, OPTION 2**

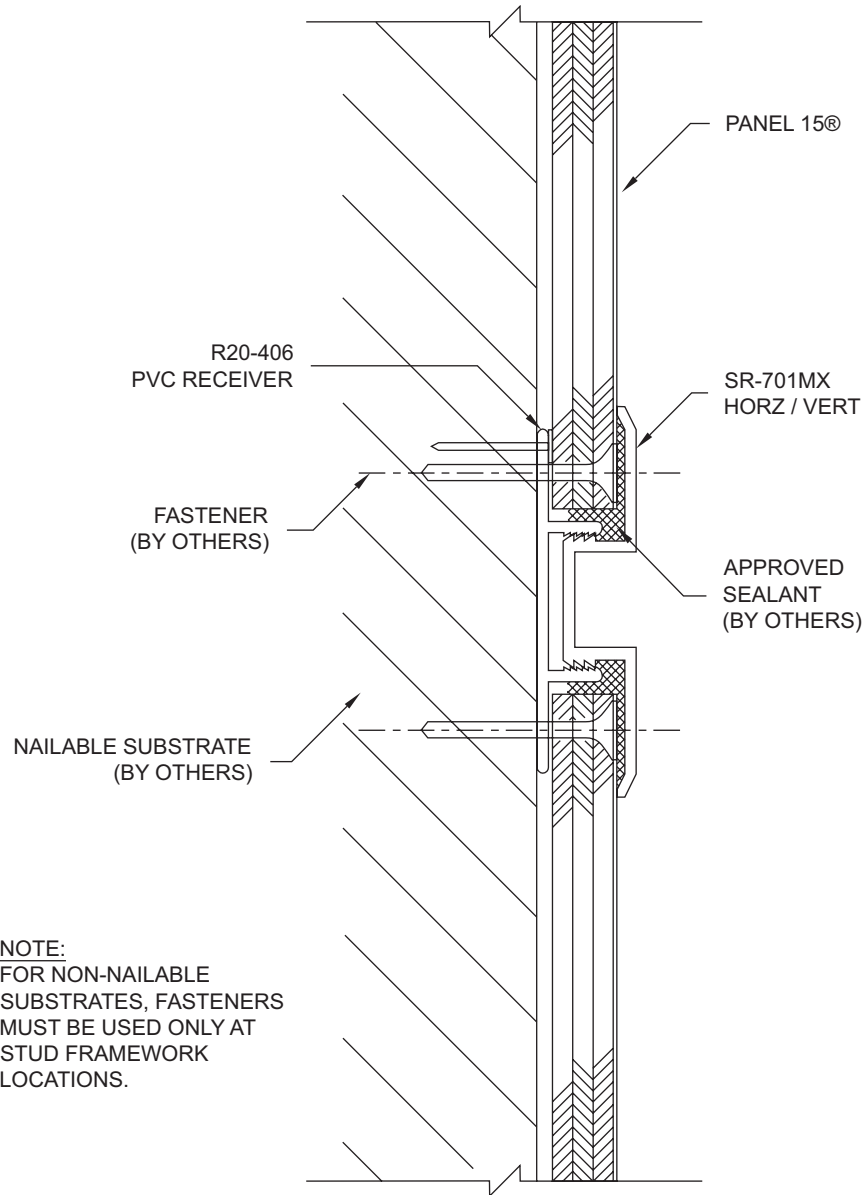
Note: This detail represents the latest recommendations from Citadel Architectural Products, Inc. It is presented in good faith and is subject to change without notice. Citadel Architectural Products, Inc. accepts no responsibility for the end use of this detail. For conditions not shown, consult our Technical Staff at (800) 446-8828 for review of specific details.

**DRAWING NAME:**  
P15 2PC 4B Horizontal Vertical Option 2.dwg

**SYSTEM:**  
Two Piece Moldings

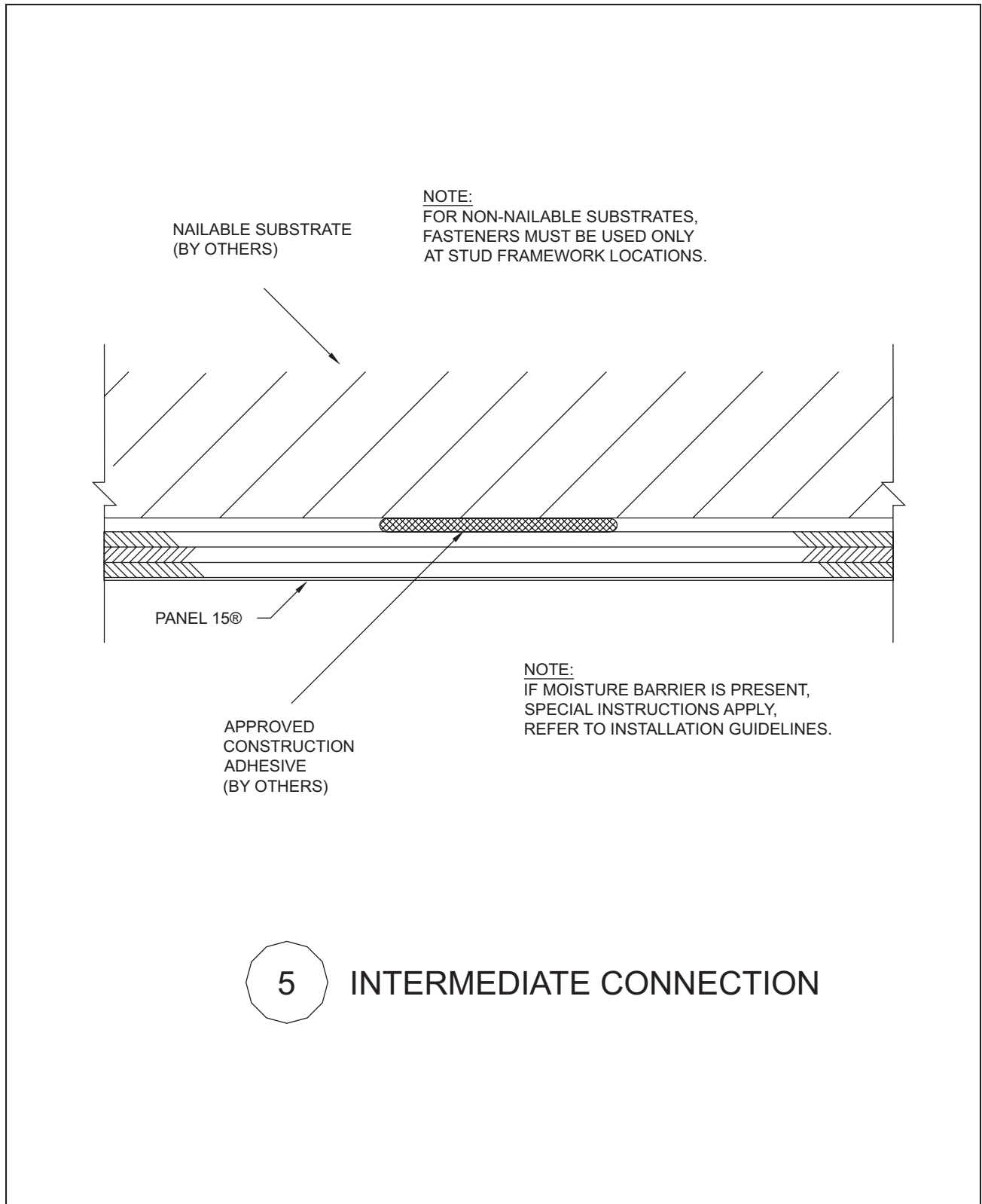
**REVISED:**  
11/06

**SCALE:**  
1:1



**4C** HORIZONTAL / VERTICAL, OPTION 3

<b>DRAWING NAME:</b> P15 2PC 4C Horizontal Vertical Option 3.dwg			Note: This detail represents the latest recommendations from Citadel Architectural Products, Inc. It is presented in good faith and is subject to change without notice. Citadel Architectural Products, Inc. accepts no responsibility for the end use of this detail. For conditions not shown, consult our Technical Staff at (800) 446-8828 for review of specific details.
<b>SYSTEM:</b> Two Piece Moldings	<b>REVISED:</b> 11/06	<b>SCALE:</b> 1:1	



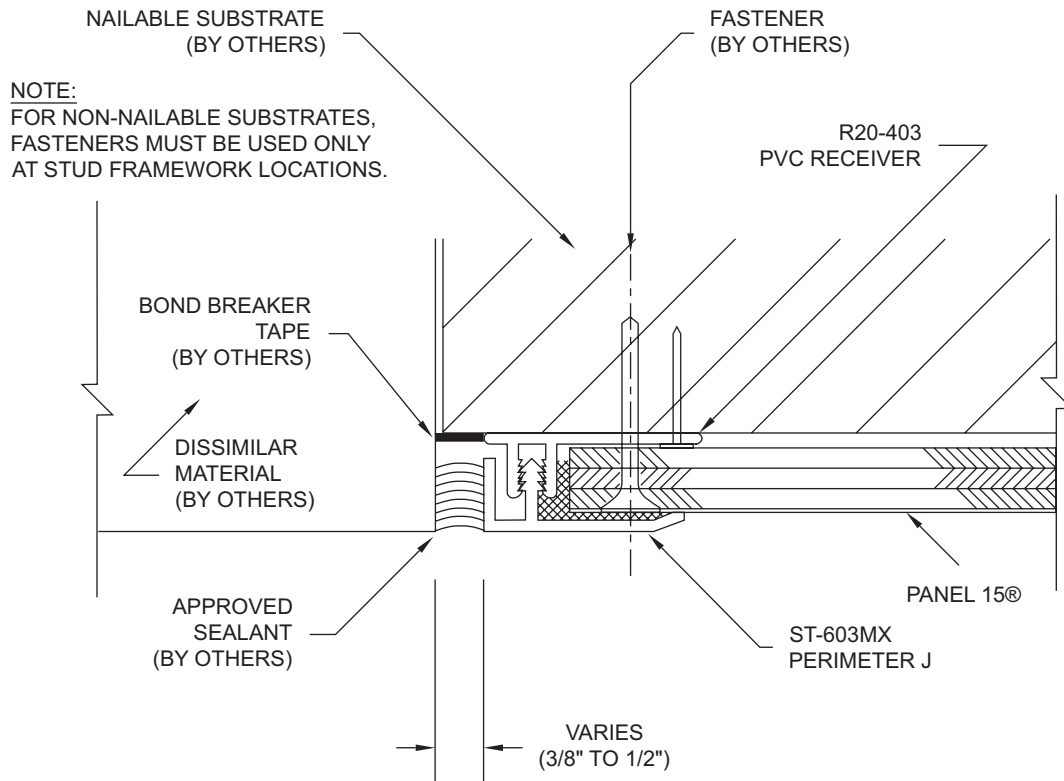
Note: This detail represents the latest recommendations from Citadel Architectural Products, Inc. It is presented in good faith and is subject to change without notice. Citadel Architectural Products, Inc. accepts no responsibility for the end use of this detail. For conditions not shown, consult our Technical Staff at (800) 446-8828 for review of specific details.

**DRAWING NAME:**  
P15 2PC 5 Intermediate Connection.dwg

**SYSTEM:**  
Two Piece Moldings

**REVISED:**  
11/06

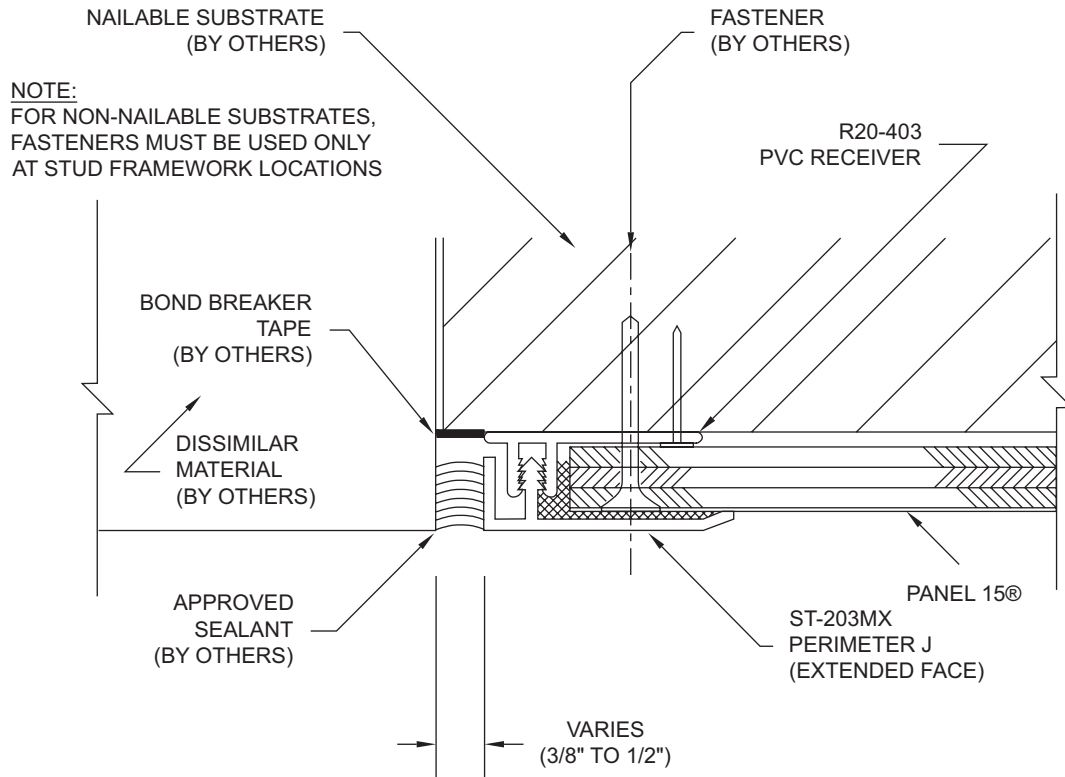
**SCALE:**  
1:1



**NOTE:**  
FOR NON-NAILABLE SUBSTRATES,  
FASTENERS MUST BE USED ONLY  
AT STUD FRAMEWORK LOCATIONS.

**6A** DISSIMILAR MATERIAL, OPTION 1

<p><b>DRAWING NAME:</b> P15 2PC 6A Dissimilar Material Option 1.dwg</p>			<p>Note: This detail represents the latest recommendations from Citadel Architectural Products, Inc. It is presented in good faith and is subject to change without notice. Citadel Architectural Products, Inc. accepts no responsibility for the end use of this detail. For conditions not shown, consult our Technical Staff at (800) 446-8828 for review of specific details.</p>
<p><b>SYSTEM:</b> Two Piece Moldings</p>	<p><b>REVISED:</b> 11/06</p>	<p><b>SCALE:</b> 1:1</p>	



**6B** DISSIMILAR MATERIAL, OPTION 2

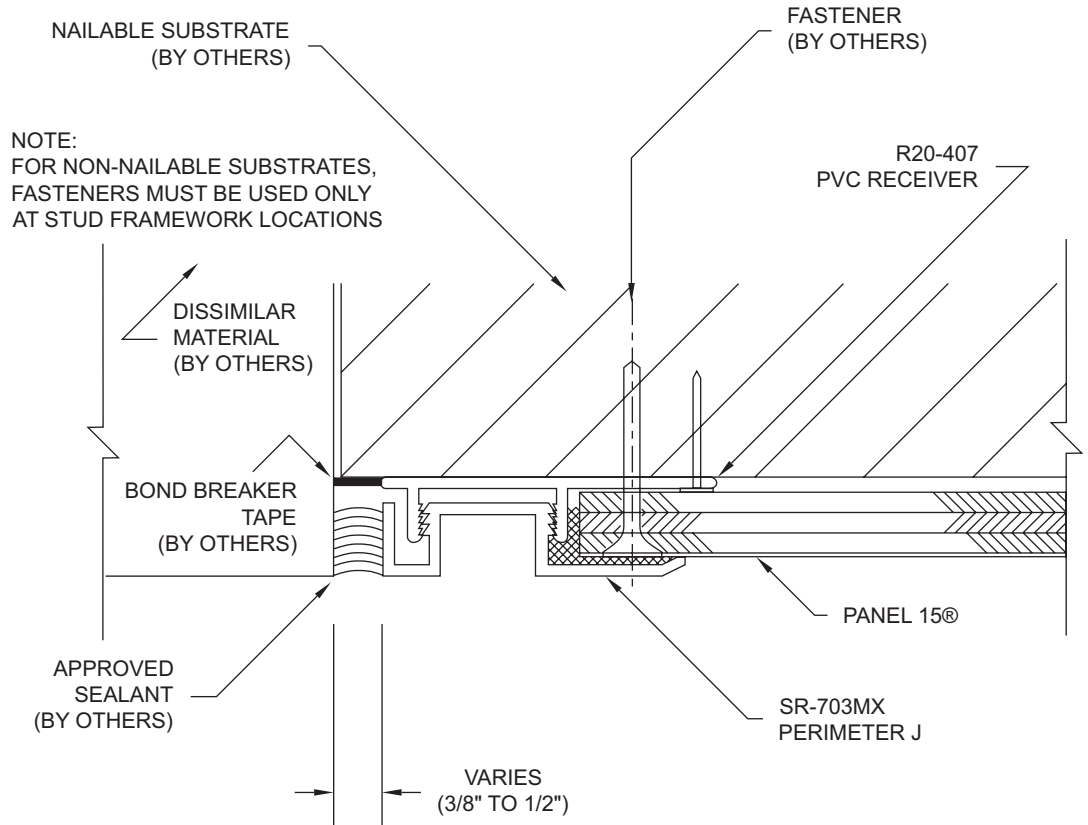
Note: This detail represents the latest recommendations from Citadel Architectural Products, Inc. It is presented in good faith and is subject to change without notice. Citadel Architectural Products, Inc. accepts no responsibility for the end use of this detail. For conditions not shown, consult our Technical Staff at (800) 446-8828 for review of specific details.

**DRAWING NAME:**  
P15 2PC 6B Dissimilar Material Option 2.dwg

**SYSTEM:**  
Two Piece Moldings

**REVISED:**  
11/06

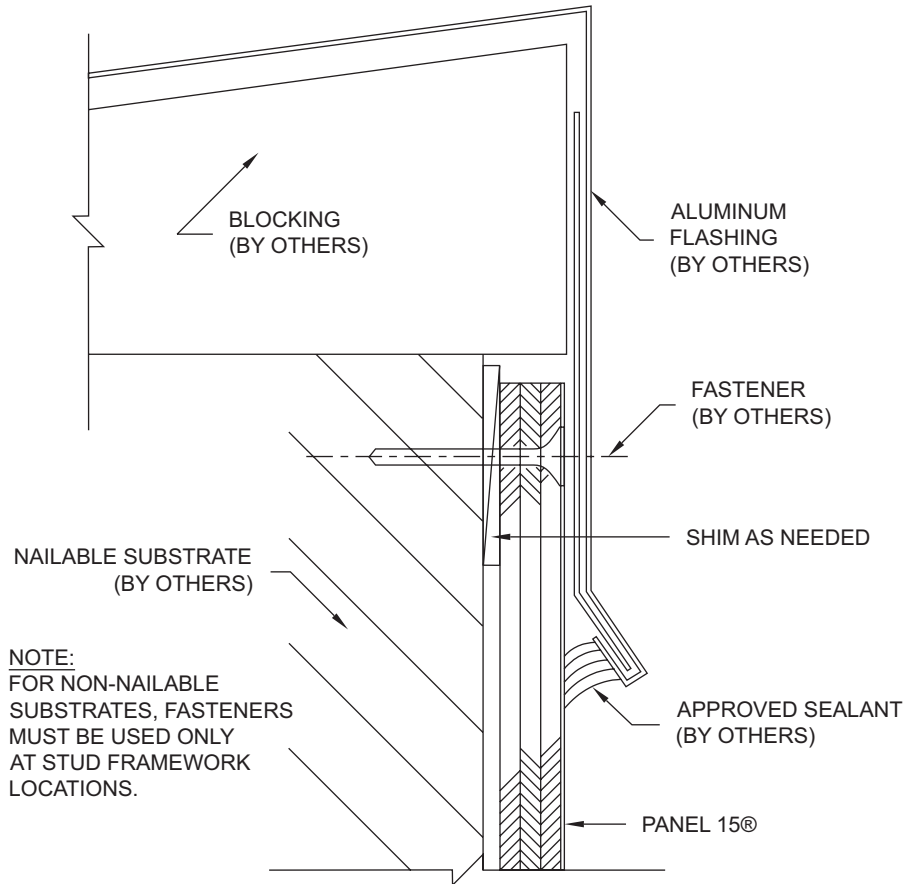
**SCALE:**  
1:1



**6C** DISSIMILAR MATERIAL, OPTION 3

<b>DRAWING NAME:</b> P15 2PC 6C Dissimilar Material Option 3.dwg			Note: This detail represents the latest recommendations from Citadel Architectural Products, Inc. It is presented in good faith and is subject to change without notice. Citadel Architectural Products, Inc. accepts no responsibility for the end use of this detail. For conditions not shown, consult our Technical Staff at (800) 446-8828 for review of specific details.
<b>SYSTEM:</b> Two Piece Moldings	<b>REVISED:</b> 11/06	<b>SCALE:</b> 1:1	





7 PARAPET

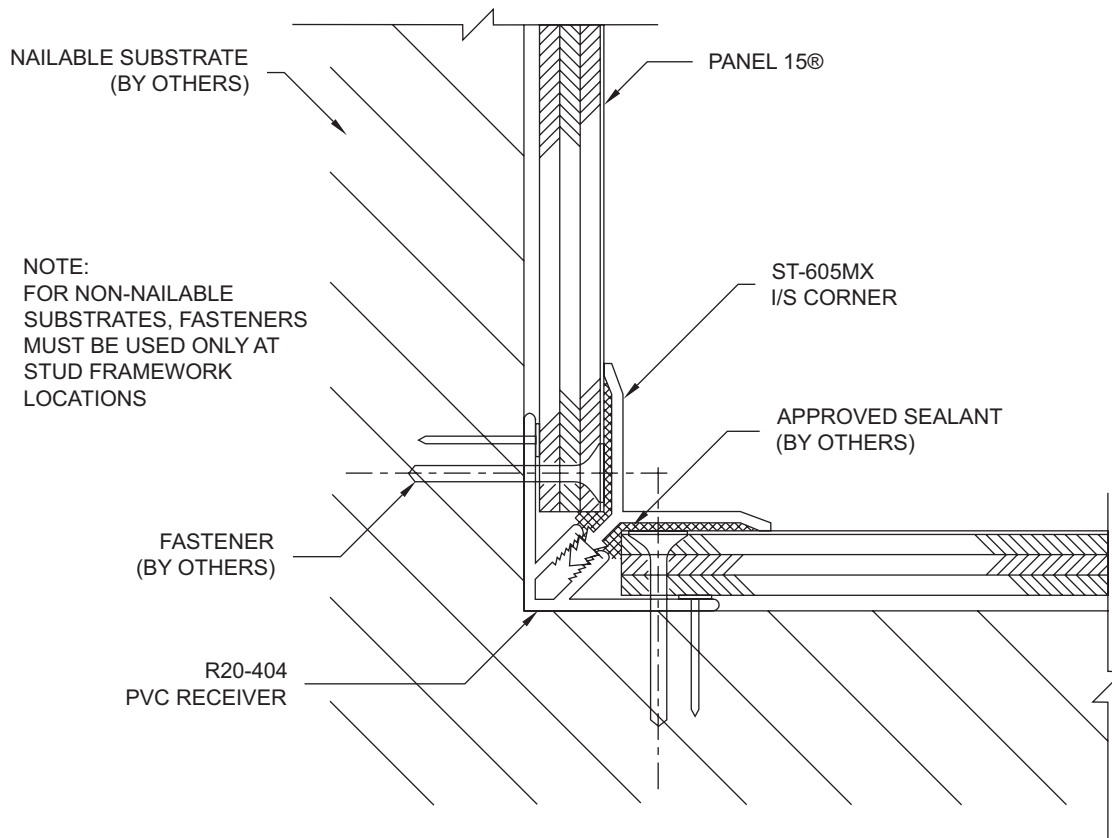
Note: This detail represents the latest recommendations from Citadel Architectural Products, Inc. It is presented in good faith and is subject to change without notice. Citadel Architectural Products, Inc. accepts no responsibility for the end use of this detail. For conditions not shown, consult our Technical Staff at (800) 446-8828 for review of specific details.

**DRAWING NAME:**  
P15 2PC 7 Parapet.dwg

**SYSTEM:**  
Two Piece Moldings

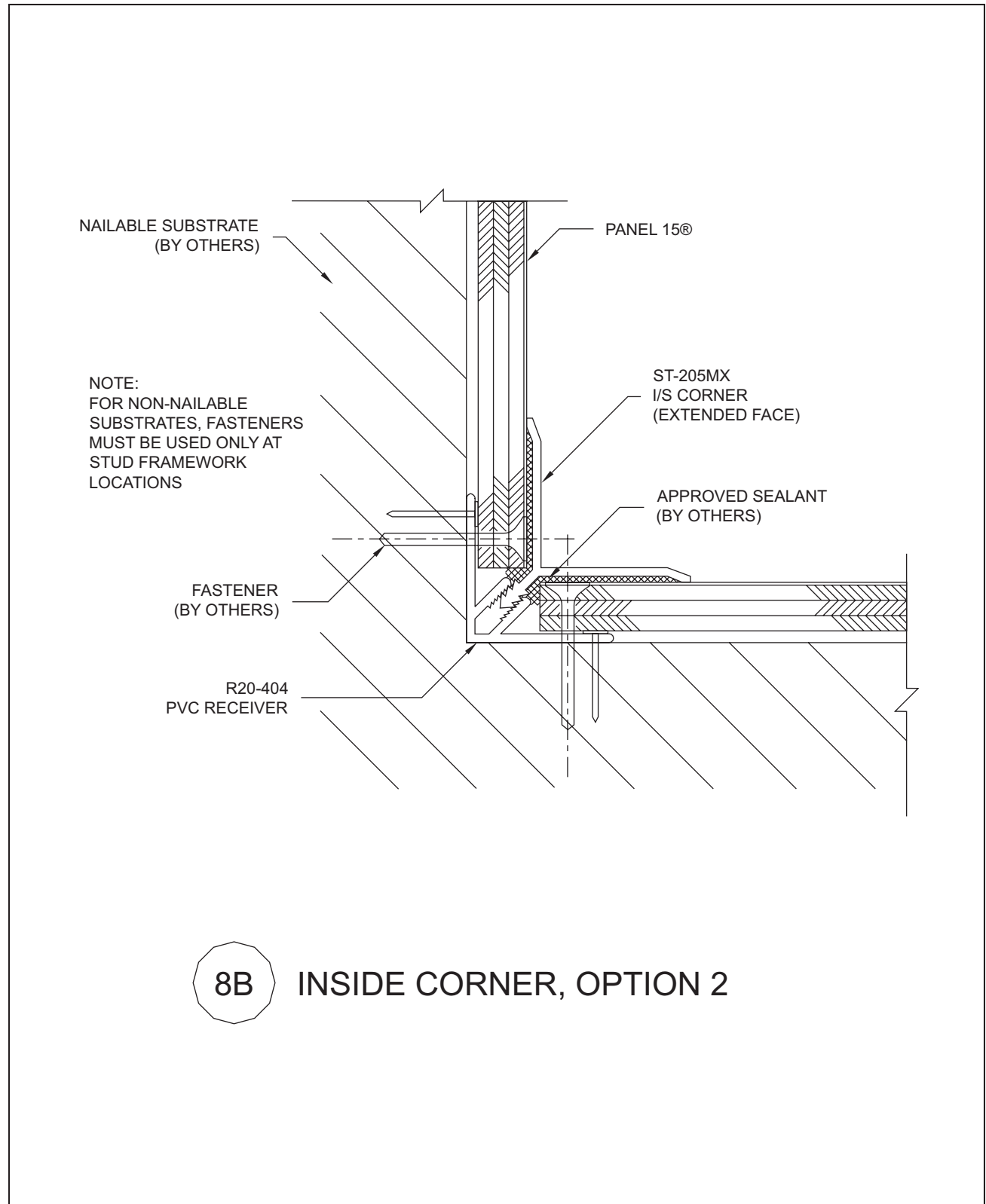
**REVISED:**  
11/06

**SCALE:**  
1:1



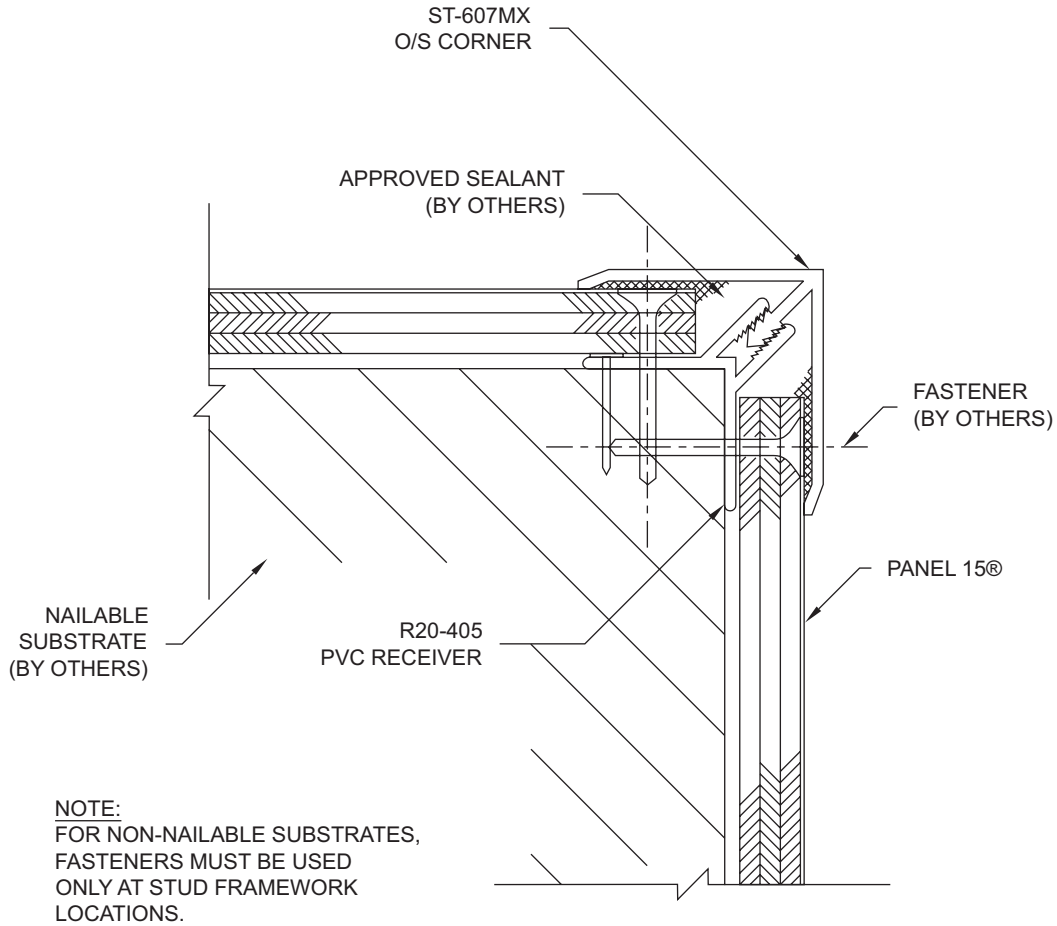
**8A** INSIDE CORNER, OPTION 1

<b>DRAWING NAME:</b> P15 2PC 8A Inside Corner Option 1.dwg			Note: This detail represents the latest recommendations from Citadel Architectural Products, Inc. It is presented in good faith and is subject to change without notice. Citadel Architectural Products, Inc. accepts no responsibility for the end use of this detail. For conditions not shown, consult our Technical Staff at (800) 446-8828 for review of specific details.
<b>SYSTEM:</b> Two Piece Moldings	<b>REVISED:</b> 11/06	<b>SCALE:</b> 1:1	



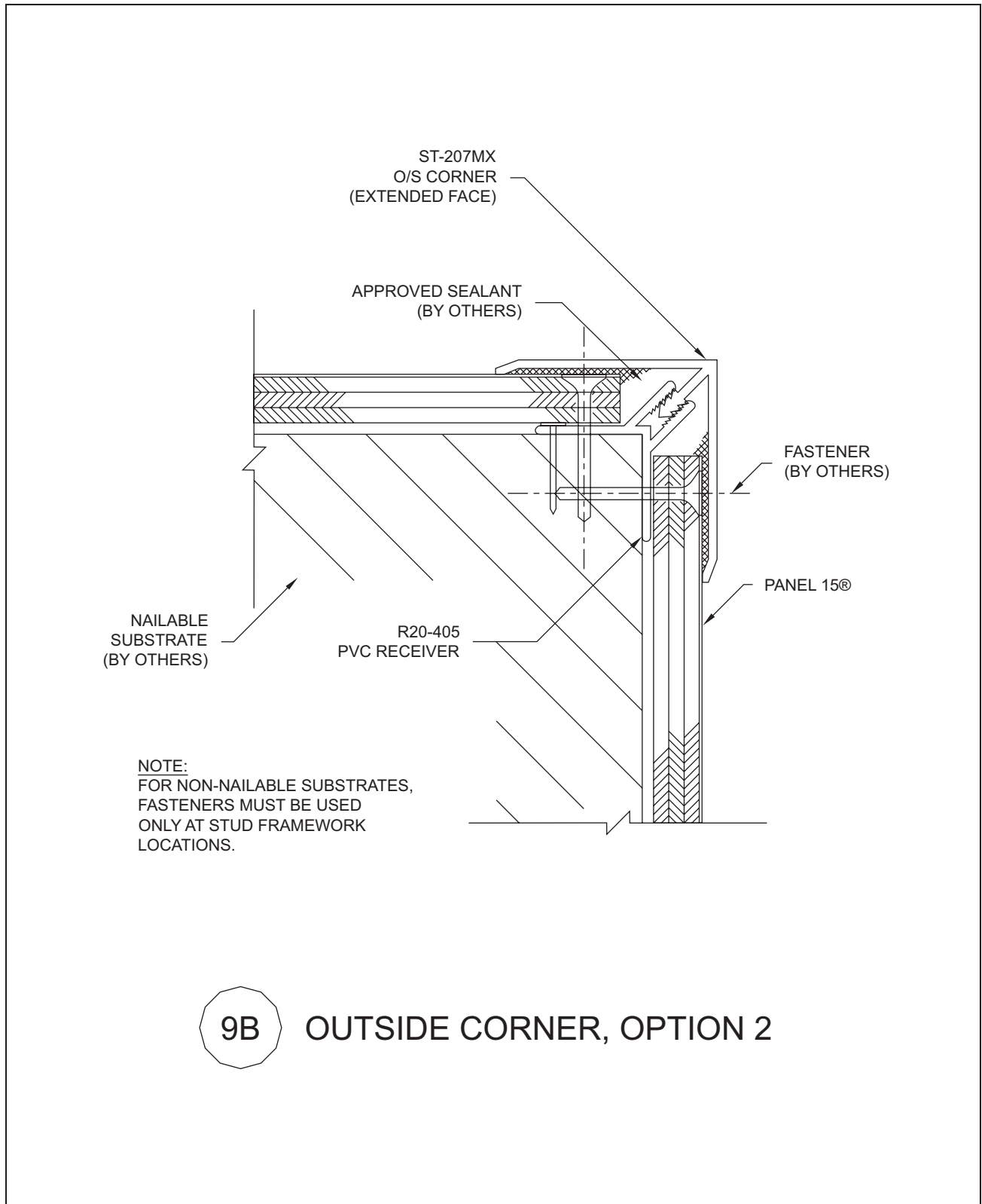
**8B** INSIDE CORNER, OPTION 2

<p>Note: This detail represents the latest recommendations from Citadel Architectural Products, Inc. It is presented in good faith and is subject to change without notice. Citadel Architectural Products, Inc. accepts no responsibility for the end use of this detail. For conditions not shown, consult our Technical Staff at (800) 446-8828 for review of specific details.</p>	<p><b>DRAWING NAME:</b> P15 2PC 8B Inside Corner Option 2.dwg</p>		
	<p><b>SYSTEM:</b> Two Piece Moldings</p>	<p><b>REVISED:</b> 11/06</p>	<p><b>SCALE:</b> 1:1</p>



**9A** OUTSIDE CORNER, OPTION 1

<b>DRAWING NAME:</b> P15 2PC 9A Outside Corner Option 1.dwg			Note: This detail represents the latest recommendations from Citadel Architectural Products, Inc. It is presented in good faith and is subject to change without notice. Citadel Architectural Products, Inc. accepts no responsibility for the end use of this detail. For conditions not shown, consult our Technical Staff at (800) 446-8828 for review of specific details.
<b>SYSTEM:</b> Two Piece Moldings	<b>REVISED:</b> 11/06	<b>SCALE:</b> 1:1	



9B OUTSIDE CORNER, OPTION 2

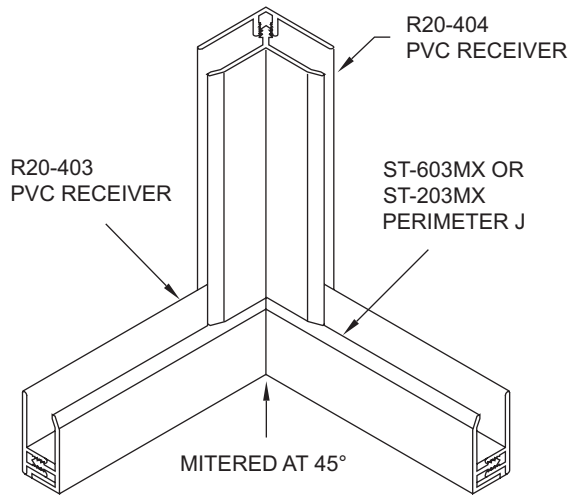
Note: This detail represents the latest recommendations from Citadel Architectural Products, Inc. It is presented in good faith and is subject to change without notice. Citadel Architectural Products, Inc. accepts no responsibility for the end use of this detail. For conditions not shown, consult our Technical Staff at (800) 446-8828 for review of specific details.

**DRAWING NAME:**  
P15 2PC 9B Outside Corner Option 2.dwg

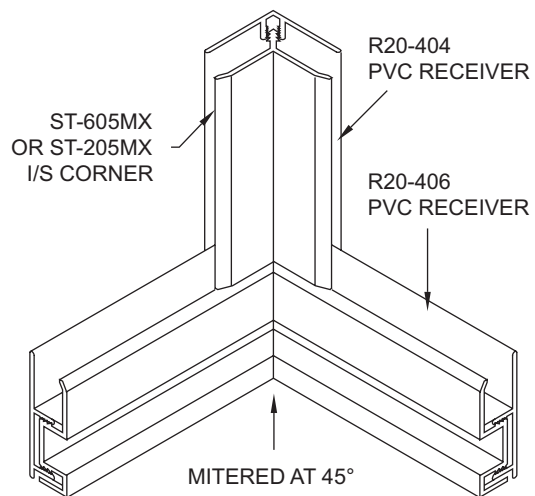
**SYSTEM:**  
Two Piece Moldings

**REVISED:**  
11/06

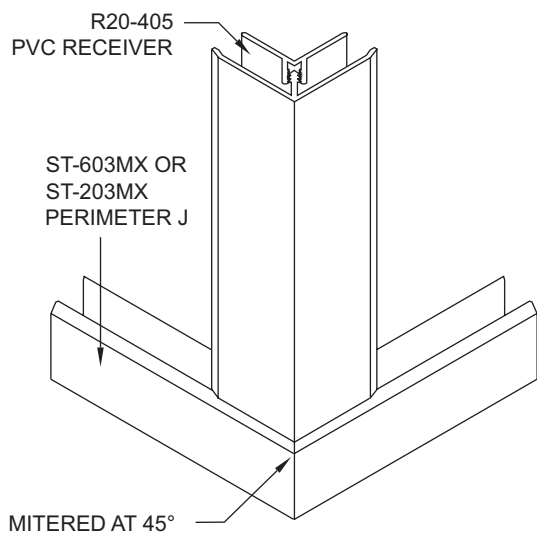
**SCALE:**  
1:1



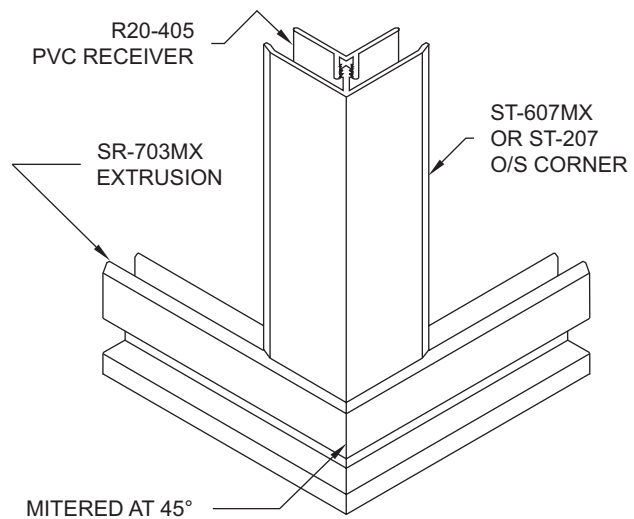
10A BASE INSIDE CORNER, OPTION 1



10B BASE INSIDE CORNER, OPTION 2



11A BASE OUTSIDE CORNER, OPTION 1



11B BASE OUTSIDE CORNER, OPTION 2

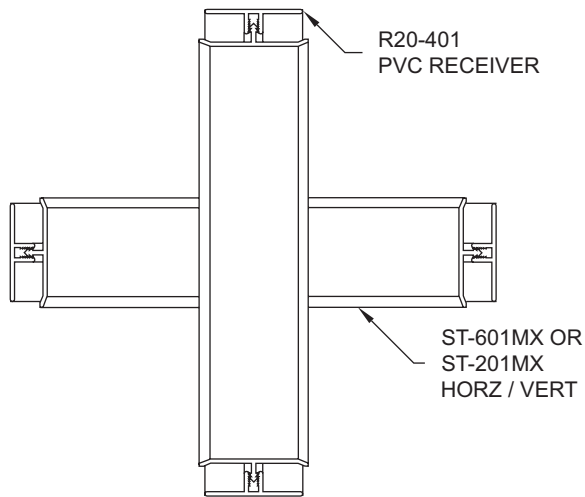
**DRAWING NAME:**  
P15 2PC Intersections 10A To 11B.dwg

**SYSTEM:**  
Two Piece Moldings

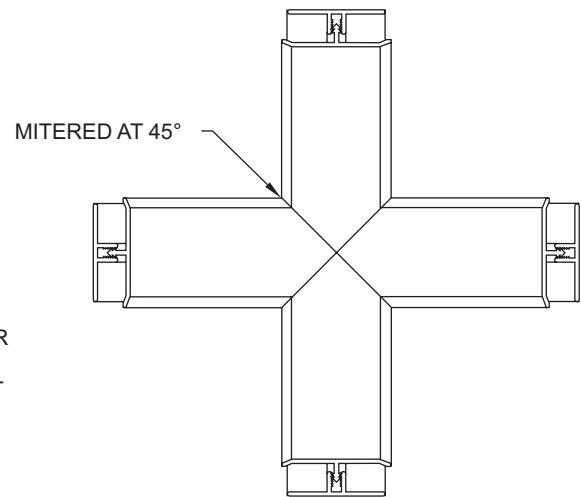
**REVISED:**  
11/06

**SCALE:**  
n/a

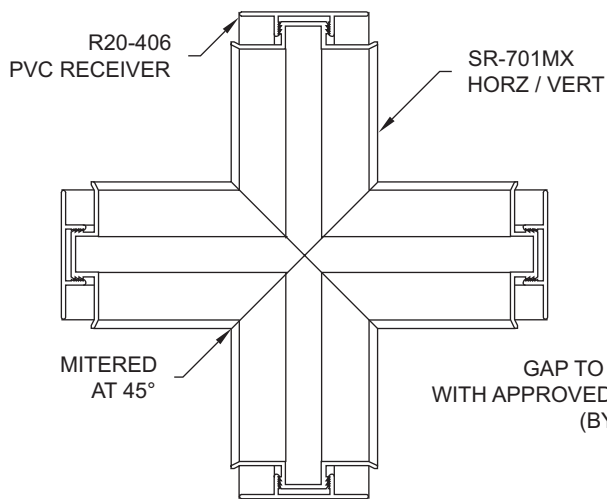
Note: This detail represents the latest recommendations from Citadel Architectural Products, Inc. It is presented in good faith and is subject to change without notice. Citadel Architectural Products, Inc. accepts no responsibility for the end use of this detail. For conditions not shown, consult our Technical Staff at (800) 446-8828 for review of specific details.



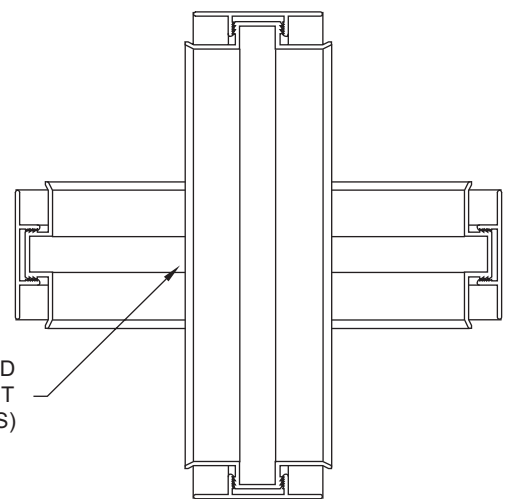
12A HORIZONTAL / VERTICAL, OPTION 1



12B HORIZONTAL / VERTICAL, OPTION 2



12C HORIZONTAL / VERTICAL, OPTION 3



12D HORIZONTAL / VERTICAL, OPTION 4

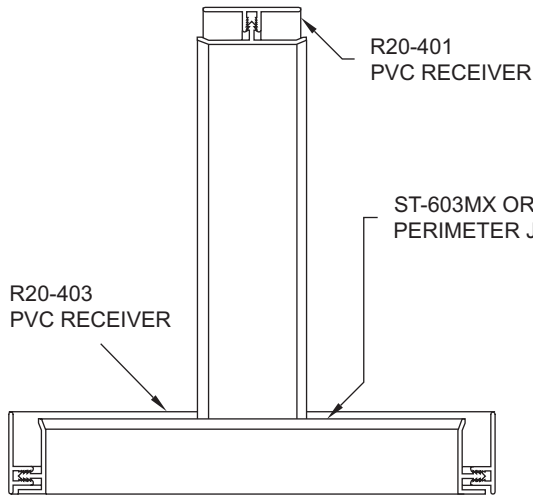
Note: This detail represents the latest recommendations from Citadel Architectural Products, Inc. It is presented in good faith and is subject to change without notice. Citadel Architectural Products, Inc. accepts no responsibility for the end use of this detail. For conditions not shown, consult our Technical Staff at (800) 446-8828 for review of specific details.

**DRAWING NAME:**  
P15 2PC Intersections 12A To 12D.dwg

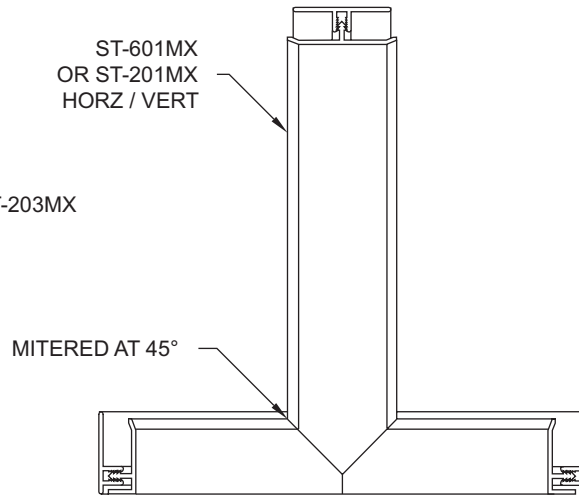
**SYSTEM:**  
Two Piece Moldings

**REVISED:**  
11/06

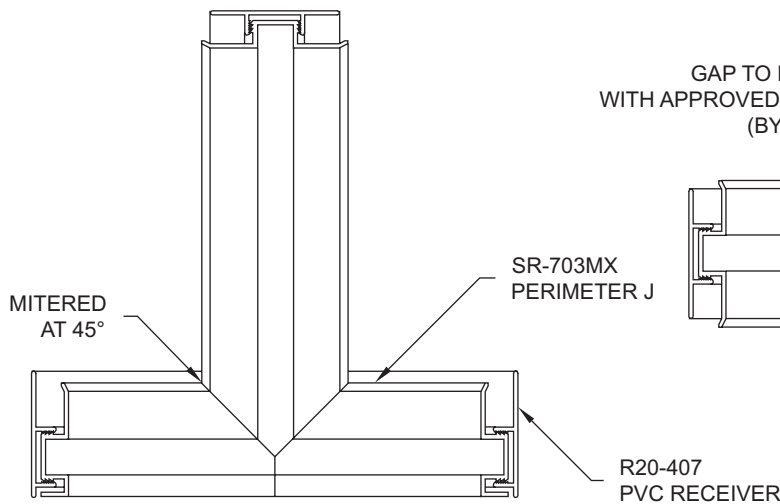
**SCALE:**  
n/a



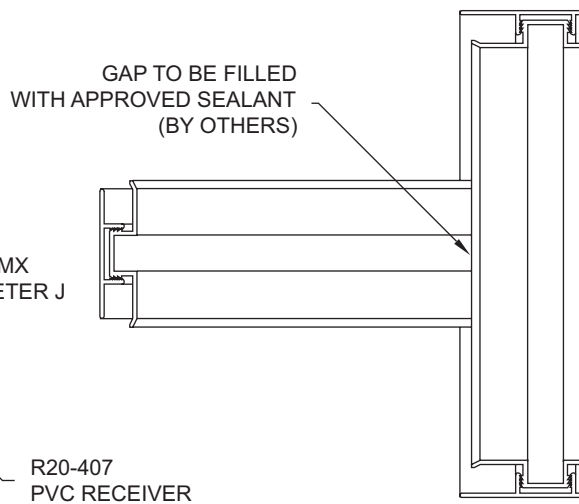
13A HORZ / VERT TERMINATION, OPTION 1



13B HORZ / VERT TERMINATION, OPTION 2



13C HORZ / VERT TERMINATION, OPTION 3



14 HORIZONTAL TERMINATION ONLY

**DRAWING NAME:**  
P15 2PC Intersections 13A To 14.dwg

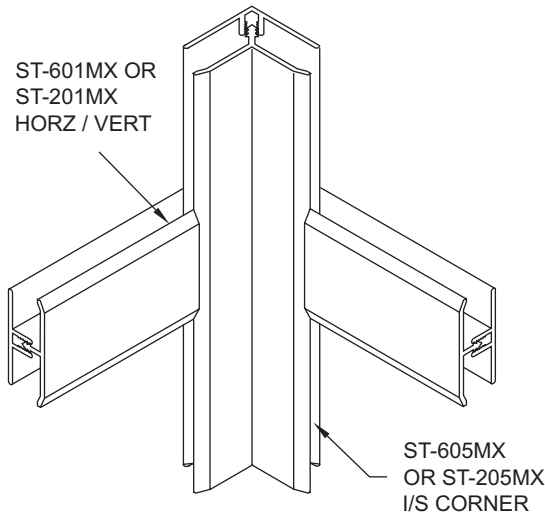
**SYSTEM:**  
Two Piece Moldings

**REVISED:**  
11/06

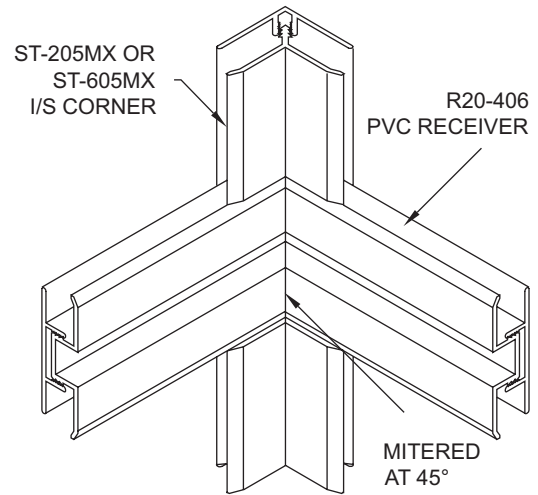
**SCALE:**  
n/a

Note: This detail represents the latest recommendations from Citadel Architectural Products, Inc. It is presented in good faith and is subject to change without notice. Citadel Architectural Products, Inc. accepts no responsibility for the end use of this detail. For conditions not shown, consult our Technical Staff at (800) 446-8828 for review of specific details.

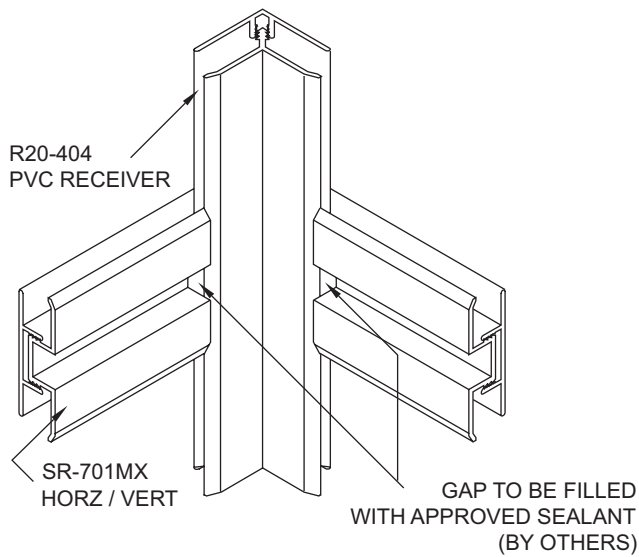




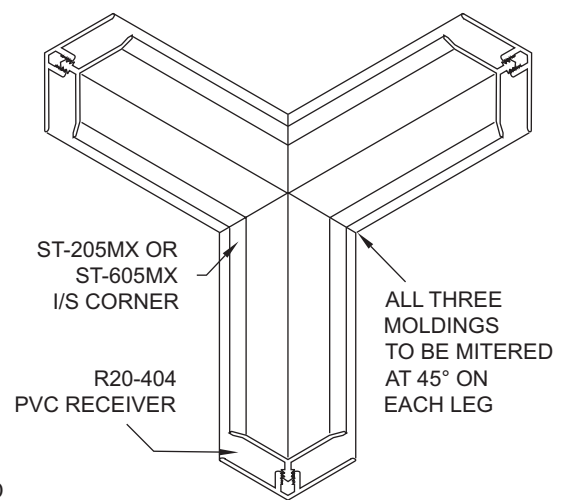
15A INSIDE CORNER, OPTION 1



15B INSIDE CORNER, OPTION 2



15C INSIDE CORNER, OPTION 3



16 THREE WAY INSIDE CORNER

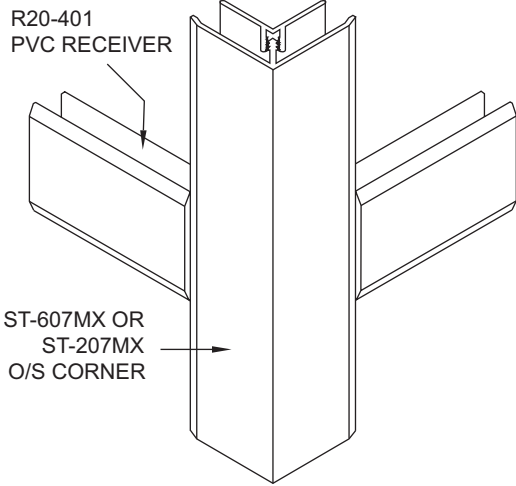
Note: This detail represents the latest recommendations from Citadel Architectural Products, Inc. It is presented in good faith and is subject to change without notice. Citadel Architectural Products, Inc. accepts no responsibility for the end use of this detail. For conditions not shown, consult our Technical Staff at (800) 446-8828 for review of specific details.

**DRAWING NAME:**  
P15 2PC Intersections 15A To 16.dwg

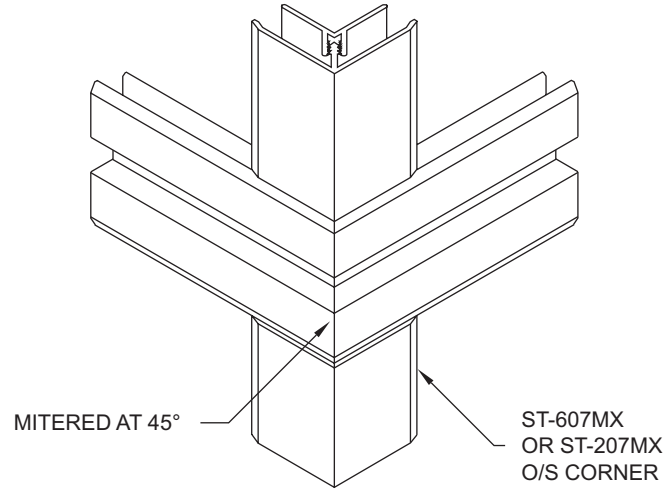
**SYSTEM:**  
Two Piece Moldings

**REVISED:**  
11/06

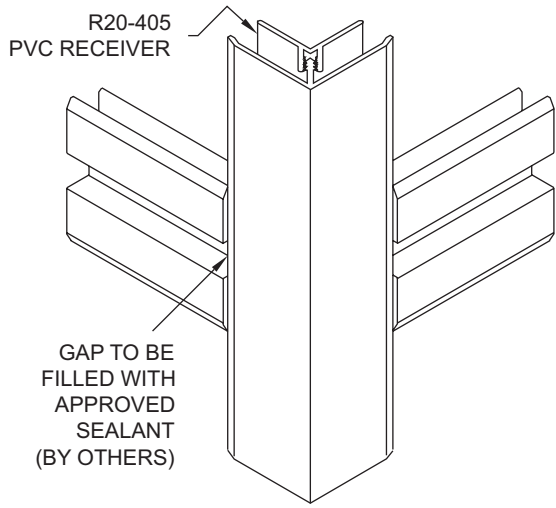
**SCALE:**  
n/a



17A OUTSIDE CORNER, OPTION 1

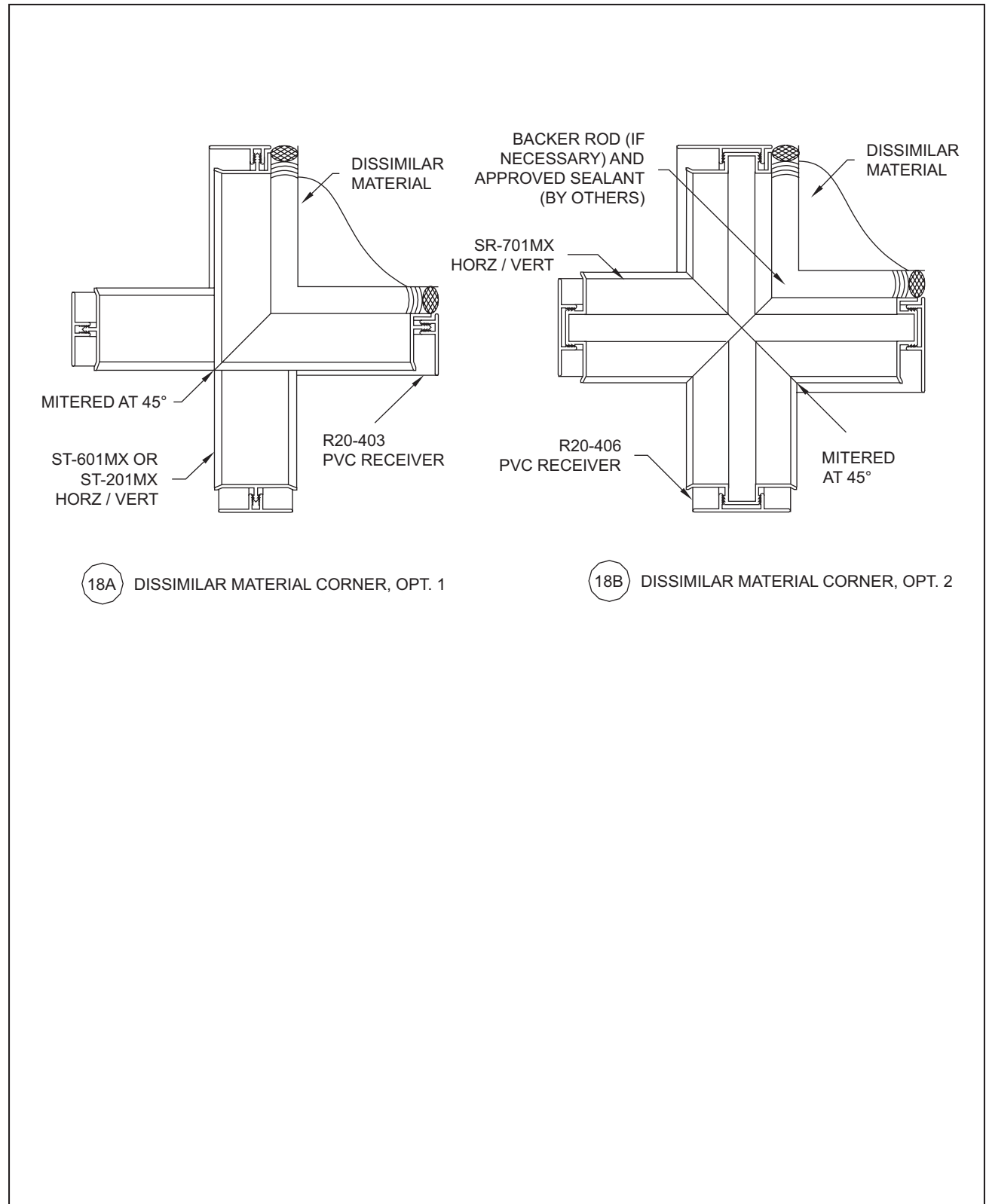


17B OUTSIDE CORNER, OPTION 2



17C OUTSIDE CORNER, OPTION 3

<p><b>DRAWING NAME:</b> P15 2PC Intersections 17A To 17C.dwg</p>			<p>Note: This detail represents the latest recommendations from Citadel Architectural Products, Inc. It is presented in good faith and is subject to change without notice. Citadel Architectural Products, Inc. accepts no responsibility for the end use of this detail. For conditions not shown, consult our Technical Staff at (800) 446-8828 for review of specific details.</p>
<p><b>SYSTEM:</b> Two Piece Moldings</p>	<p><b>REVISED:</b> 11/06</p>	<p><b>SCALE:</b> n/a</p>	



18A DISSIMILAR MATERIAL CORNER, OPT. 1

18B DISSIMILAR MATERIAL CORNER, OPT. 2

Note: This detail represents the latest recommendations from Citadel Architectural Products, Inc. It is presented in good faith and is subject to change without notice. Citadel Architectural Products, Inc. accepts no responsibility for the end use of this detail. For conditions not shown, consult our Technical Staff at (800) 446-8828 for review of specific details.

**DRAWING NAME:**  
P15 2PC Intersections 18A To 18B.dwg

**SYSTEM:**  
Two Piece Moldings

**REVISED:**  
11/06

**SCALE:**  
n/a

