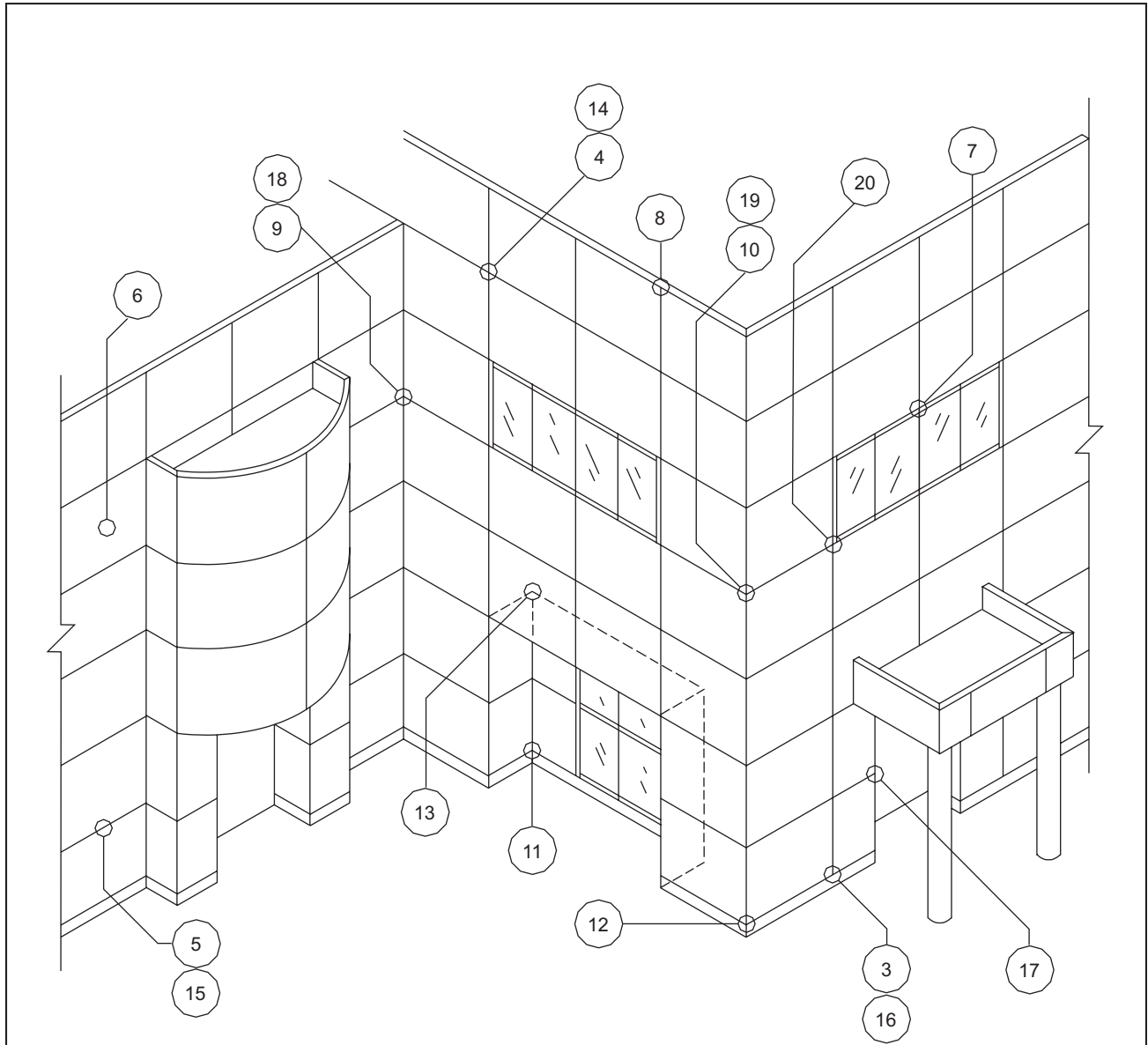


Typical Details: One Piece Molding System



GENERAL DETAILS

- 1: SYSTEM ISOMETRIC
- 2A - B: MOLDING DIMENSIONS

SECTION DETAILS

- 3A - B: BASE / FOUNDATION
- 4: HORIZONTAL / VERTICAL
- 5A - B: HORIZONTAL ONLY
- 6: INTERMEDIATE CONNECTION

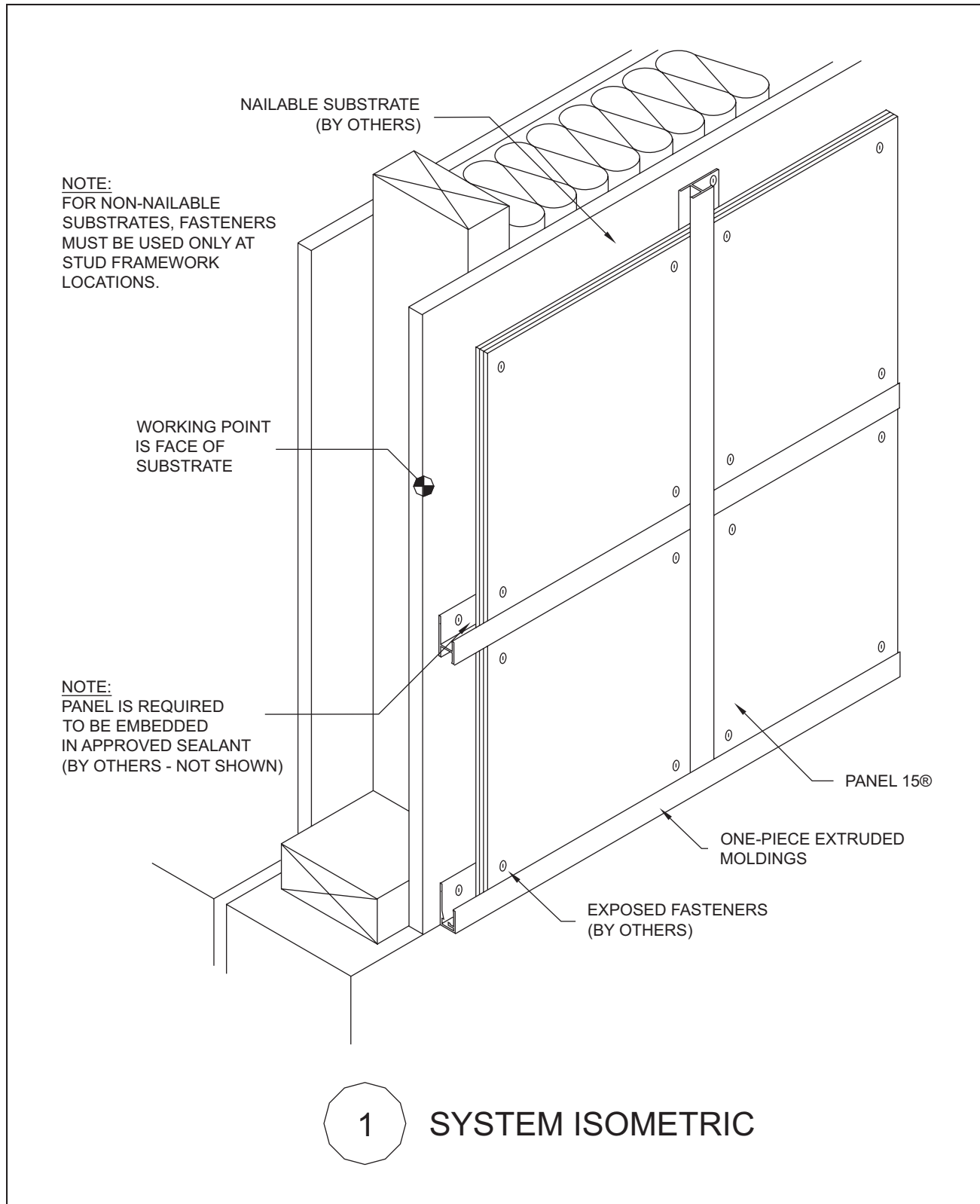
INTERSECTION DETAILS

- 7A - B: DISSIMILAR MATERIAL
- 8: PARAPET
- 9: INSIDE CORNER
- 10: OUTSIDE CORNER
- 11: BASE INSIDE CORNER
- 12: BASE OUTSIDE CORNER
- 13: THREE WAY INSIDE CORNER
- 14: HORIZONTAL / VERTICAL

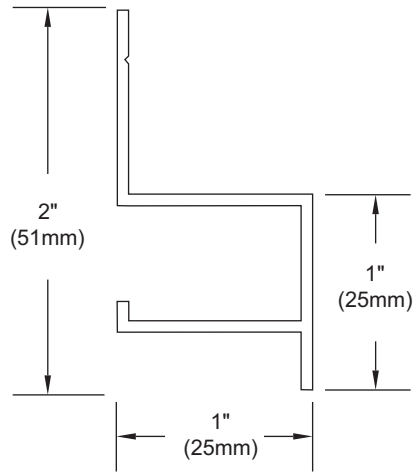
GENERAL DETAILS

- 15A - B: HORIZONTAL ONLY
- 16A - B: HORZ / VERT TERMINATION
- 17A - B: HORZ TERMINATION ONLY
- 18A - B: INSIDE CORNER
- 19A - B: OUTSIDE CORNER
- 20A - B: DISSIMILAR MATERIAL CORNER

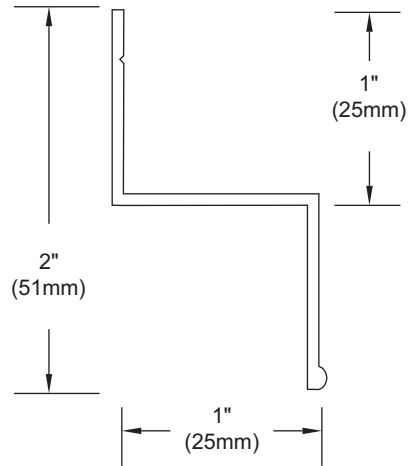
©2003 Citadel Architectural Products, Inc. An ISO 9001:2000 Registered Company.
 Panel 15® is a registered trademark of Citadel Architectural Products, Inc.
 Printed in The U.S.A. Form # 7.01.TD1.B Rev. (11/06) Supersedes (06/03)



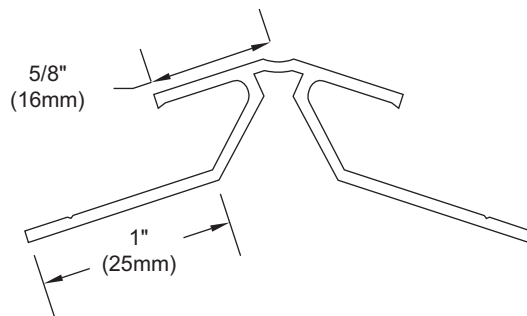
DRAWING NAME: P15 1PC 1 System Isometric.dwg			Note: This detail represents the latest recommendations from Citadel Architectural Products, Inc. It is presented in good faith and is subject to change without notice. Citadel Architectural Products, Inc. accepts no responsibility for the end use of this detail. For conditions not shown, consult our Technical Staff at (800) 446-8828 for review of specific details.
SYSTEM: One Piece Moldings	REVISED: 11/06	SCALE: n/a	



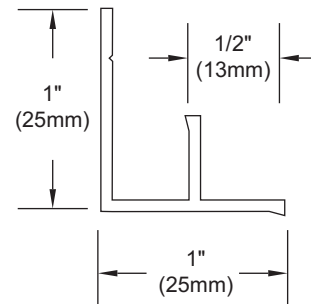
PA-3X
WATER TABLE



PA-4X
HORIZONTAL



PA-8X
OUTSIDE CORNER



PA-9X
INSIDE CORNER



MOLDING DIMENSIONS, PAGE 1

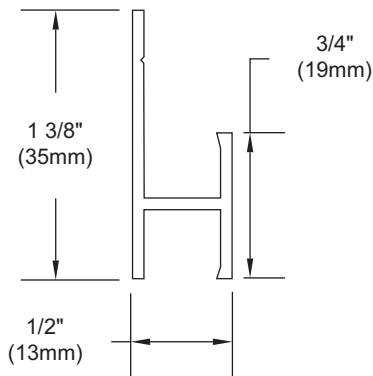
Note: This detail represents the latest recommendations from Citadel Architectural Products, Inc. It is presented in good faith and is subject to change without notice. Citadel Architectural Products, Inc. accepts no responsibility for the end use of this detail. For conditions not shown, consult our Technical Staff at (800) 446-8828 for review of specific details.

DRAWING NAME:
P15 1PC 2A Molding Dimensions Page 1.dwg

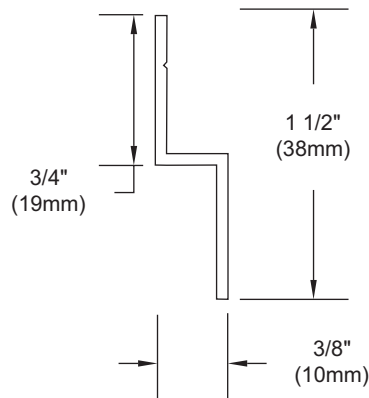
SYSTEM:
One Piece Moldings

REVISED:
11/06

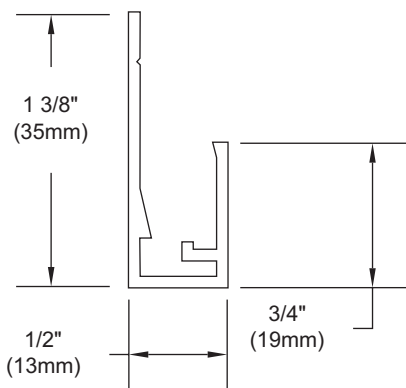
SCALE:
1:1



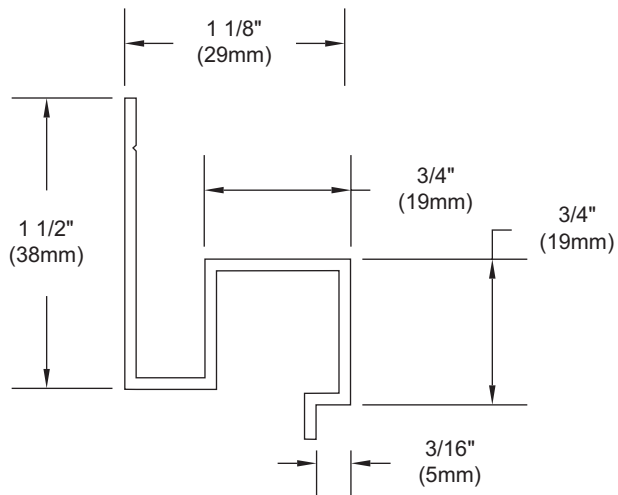
PA-12X
HORZ / VERT



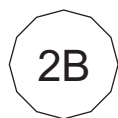
PA-13X
HORIZONTAL



PA-15BX
PERIMETER J



PA-37X
BRICK MOLD



MOLDING DIMENSIONS, PAGE 2

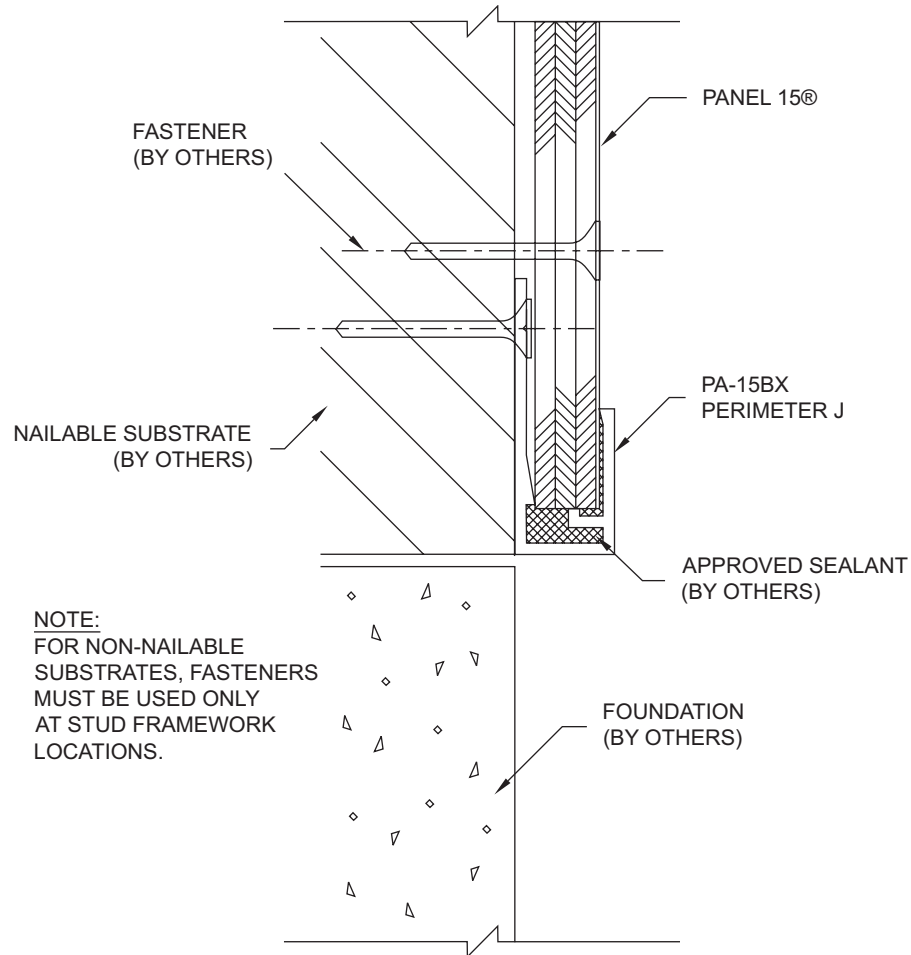
DRAWING NAME:
P15 1PC 2B Molding Dimensions Page 2.dwg

SYSTEM:
One Piece Moldings

REVISED:
11/06

SCALE:
1:1

Note: This detail represents the latest recommendations from Citadel Architectural Products, Inc. It is presented in good faith and is subject to change without notice. Citadel Architectural Products, Inc. accepts no responsibility for the end use of this detail. For conditions not shown, consult our Technical Staff at (800) 446-8828 for review of specific details.



3A

BASE / FOUNDATION, OPTION 1

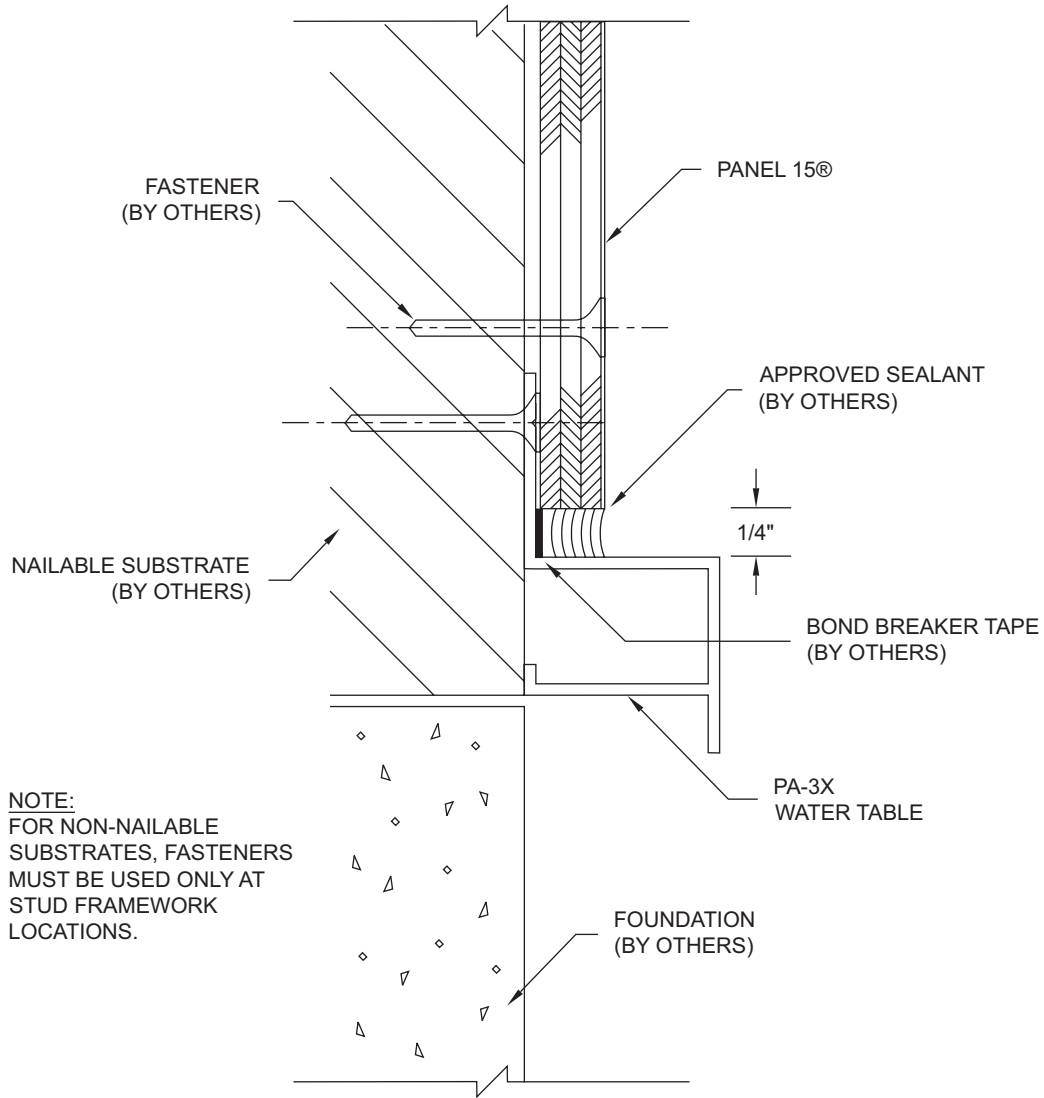
Note: This detail represents the latest recommendations from Citadel Architectural Products, Inc. It is presented in good faith and is subject to change without notice. Citadel Architectural Products, Inc. accepts no responsibility for the end use of this detail. For conditions not shown, consult our Technical Staff at (800) 446-8828 for review of specific details.

DRAWING NAME:
P15 1PC 3A Base Foundation Option 1.dwg

SYSTEM:
One Piece Moldings

REVISED:
11/06

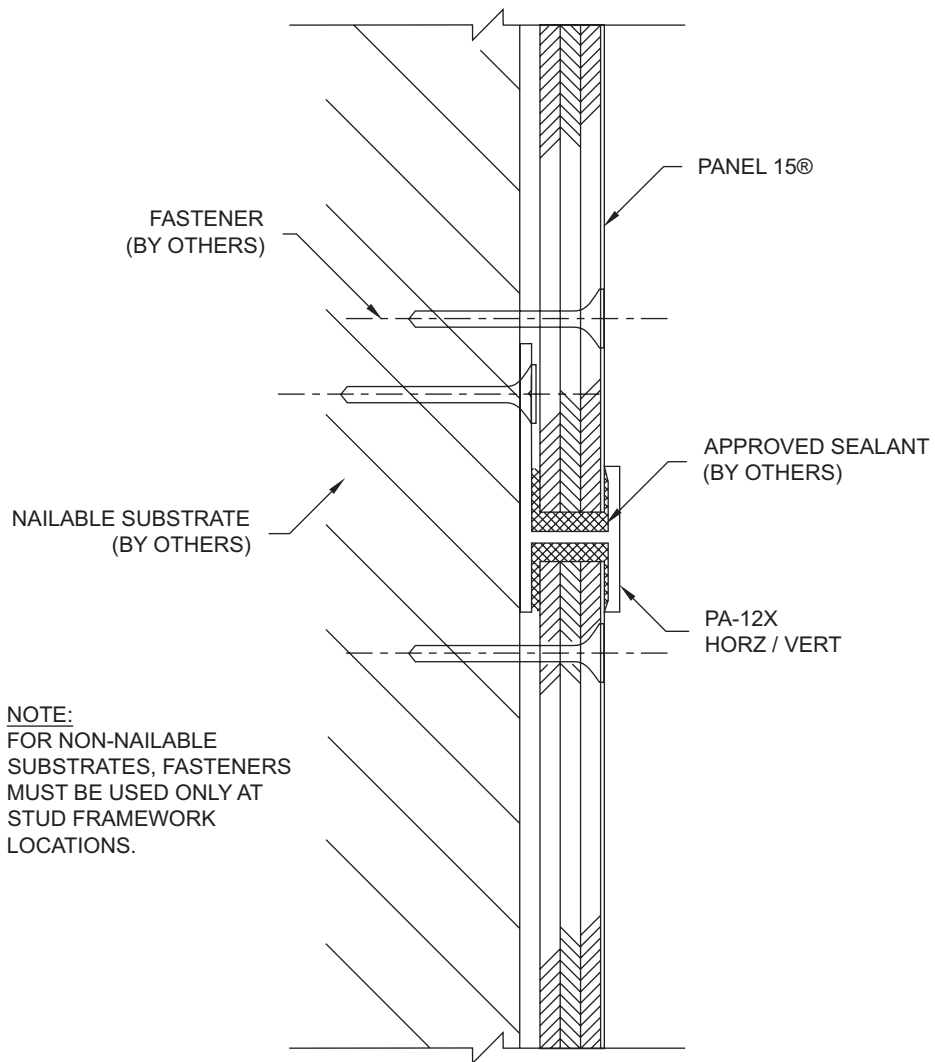
SCALE:
1:1



3B

BASE / FOUNDATION, OPTION 2

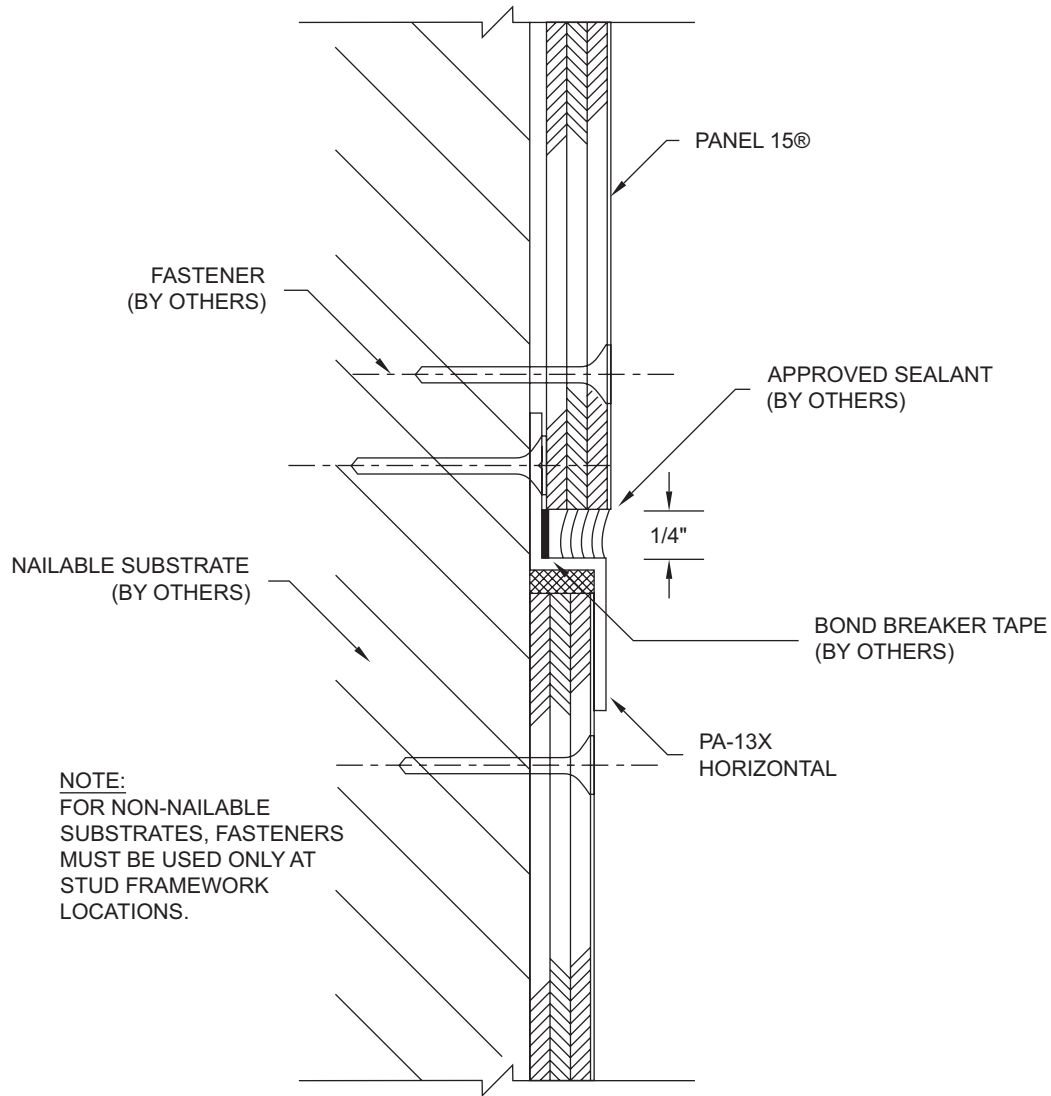
<p>DRAWING NAME: P15 1PC 3B Base Foundation Option 2.dwg</p>			<p>Note: This detail represents the latest recommendations from Citadel Architectural Products, Inc. It is presented in good faith and is subject to change without notice. Citadel Architectural Products, Inc. accepts no responsibility for the end use of this detail. For conditions not shown, consult our Technical Staff at (800) 446-8828 for review of specific details.</p>
<p>SYSTEM: One Piece Moldings</p>	<p>REVISED: 11/06</p>	<p>SCALE: 1:1</p>	



4 HORIZONTAL / VERTICAL

Note: This detail represents the latest recommendations from Citadel Architectural Products, Inc. It is presented in good faith and is subject to change without notice. Citadel Architectural Products, Inc. accepts no responsibility for the end use of this detail. For conditions not shown, consult our Technical Staff at (800) 446-8828 for review of specific details.

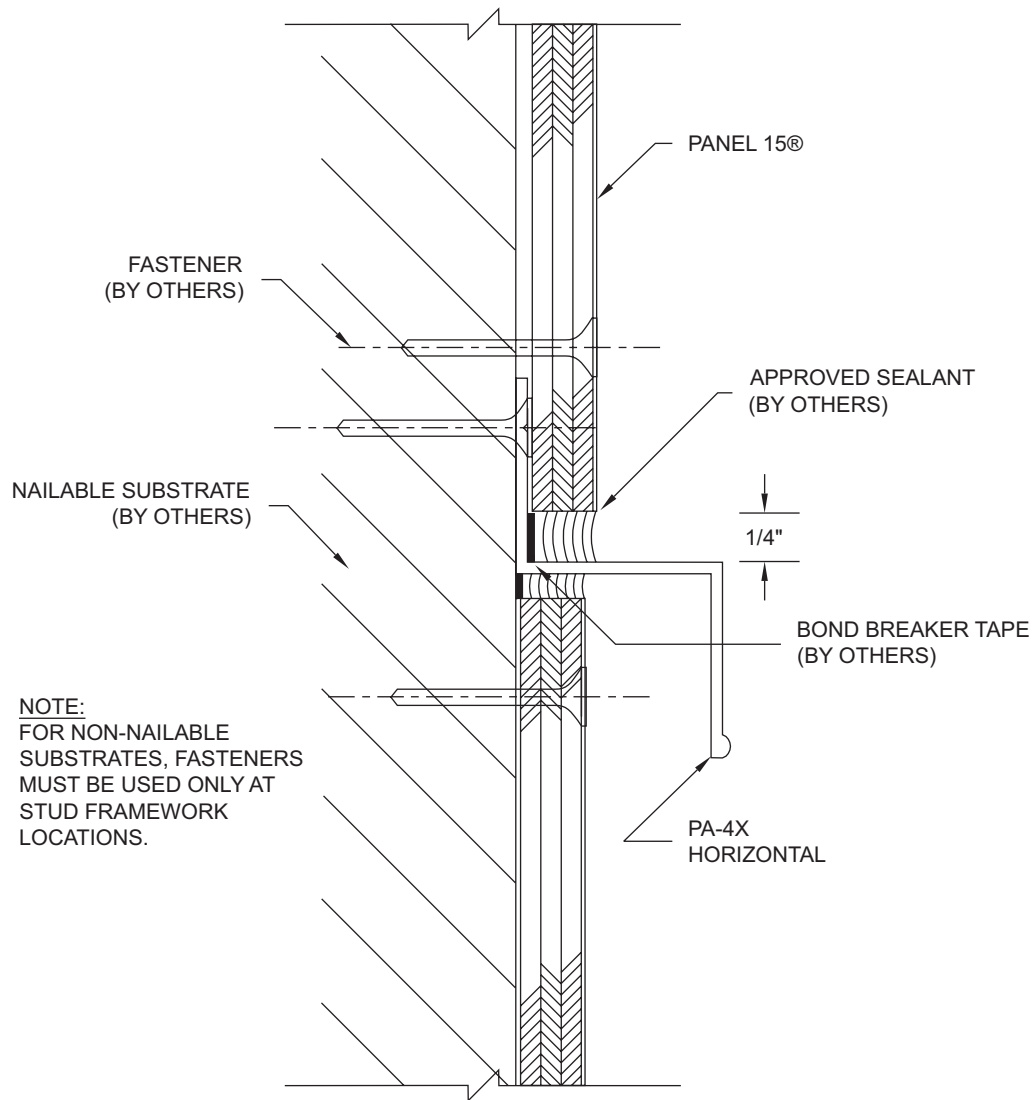
DRAWING NAME: P15 1PC 4 Horizontal Vertical.dwg		
SYSTEM: One Piece Moldings	REVISED: 11/06	SCALE: 1:1



5A

HORIZONTAL, OPTION 1

<p>DRAWING NAME: P15 1PC 5A Horizontal Option 1.dwg</p>			<p>Note: This detail represents the latest recommendations from Citadel Architectural Products, Inc. It is presented in good faith and is subject to change without notice. Citadel Architectural Products, Inc. accepts no responsibility for the end use of this detail. For conditions not shown, consult our Technical Staff at (800) 446-8828 for review of specific details.</p>
<p>SYSTEM: One Piece Moldings</p>	<p>REVISED: 11/06</p>	<p>SCALE: 1:1</p>	



5B HORIZONTAL, OPTION 2

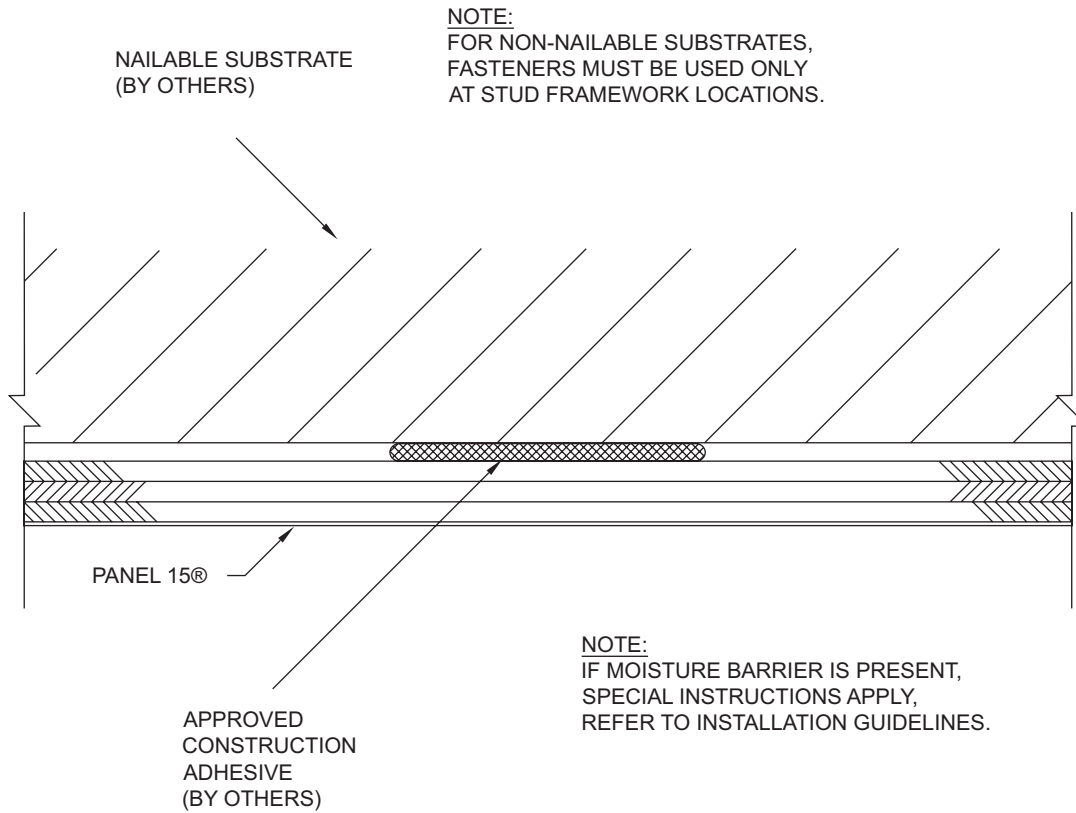
Note: This detail represents the latest recommendations from Citadel Architectural Products, Inc. It is presented in good faith and is subject to change without notice. Citadel Architectural Products, Inc. accepts no responsibility for the end use of this detail. For conditions not shown, consult our Technical Staff at (800) 446-8828 for review of specific details.

DRAWING NAME:
P15 1PC 5B Horizontal Option 2.dwg

SYSTEM:
One Piece Moldings

REVISED:
11/06

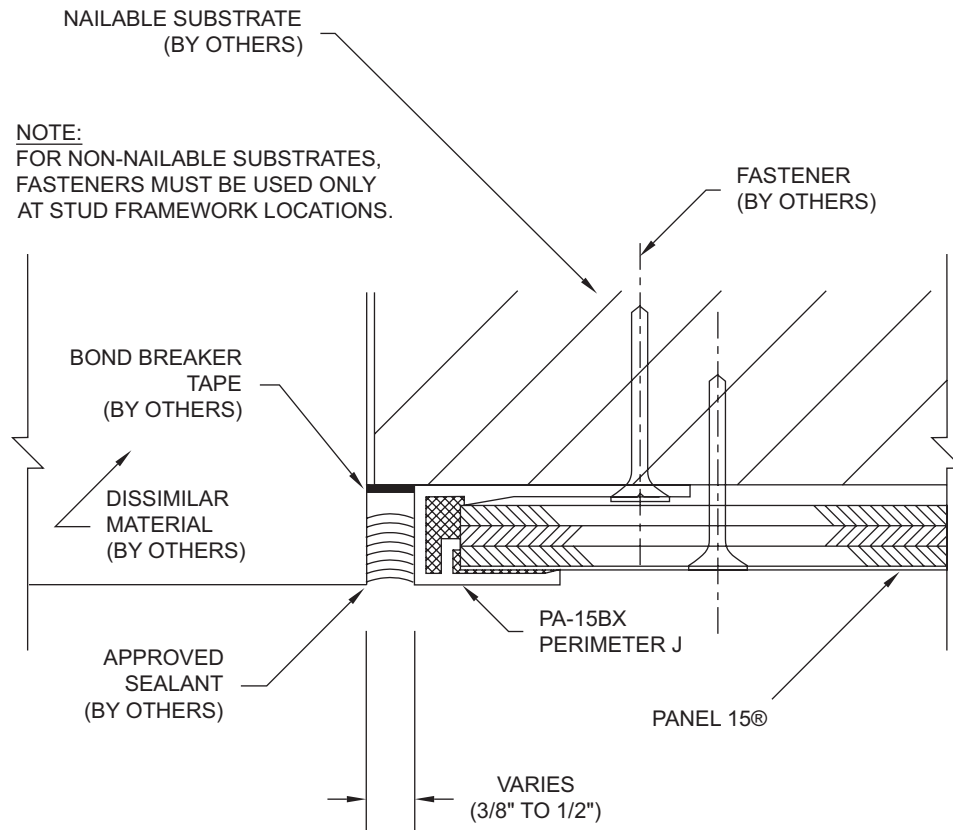
SCALE:
1:1



6

INTERMEDIATE CONNECTION

<p>DRAWING NAME: P15 1PC 6 Intermediate Connection.dwg</p>			<p>Note: This detail represents the latest recommendations from Citadel Architectural Products, Inc. It is presented in good faith and is subject to change without notice. Citadel Architectural Products, Inc. accepts no responsibility for the end use of this detail. For conditions not shown, consult our Technical Staff at (800) 446-8828 for review of specific details.</p>
<p>SYSTEM: One Piece Moldings</p>	<p>REVISED: 11/06</p>	<p>SCALE: 1:1</p>	



NOTE:
FOR NON-NAILABLE SUBSTRATES,
FASTENERS MUST BE USED ONLY
AT STUD FRAMEWORK LOCATIONS.

7A

DISSIMILAR MATERIAL, OPTION 1

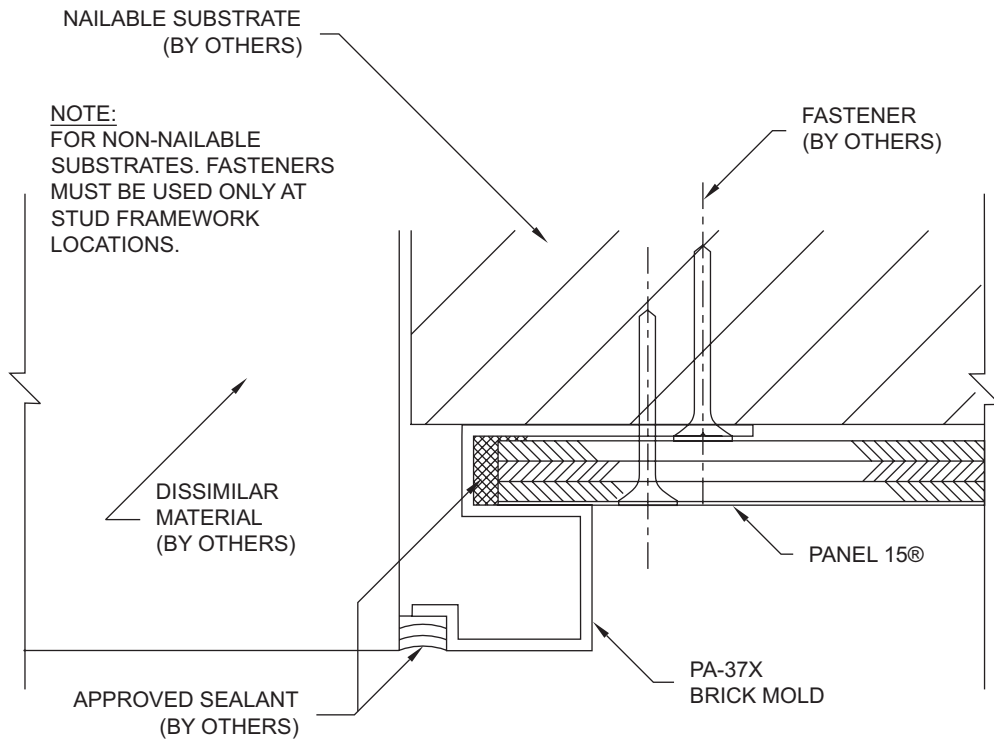
Note: This detail represents the latest recommendations from Citadel Architectural Products, Inc. It is presented in good faith and is subject to change without notice. Citadel Architectural Products, Inc. accepts no responsibility for the end use of this detail. For conditions not shown, consult our Technical Staff at (800) 446-8828 for review of specific details.

DRAWING NAME:
P15 1PC 7A Dissimilar Material Option 1.dwg

SYSTEM:
One Piece Moldings

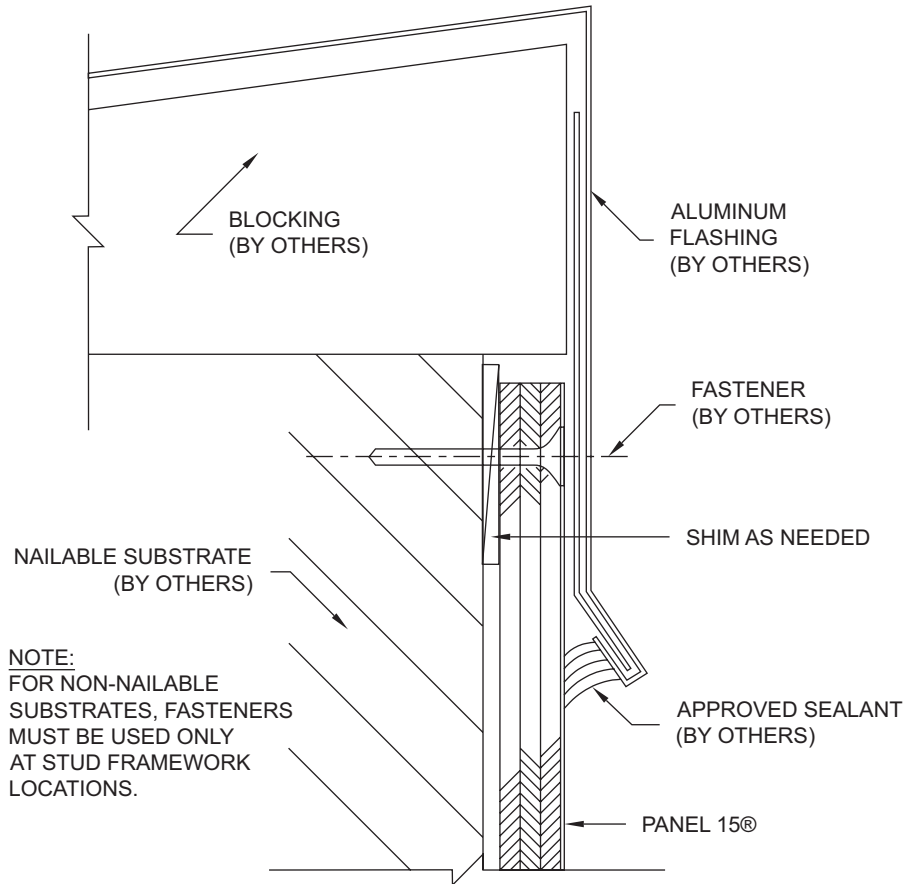
REVISED:
11/06

SCALE:
1:1



7B DISSIMILAR MATERIAL, OPTION 2

DRAWING NAME: P15 1PC 7B Dissimilar Material Option 2.dwg			Note: This detail represents the latest recommendations from Citadel Architectural Products, Inc. It is presented in good faith and is subject to change without notice. Citadel Architectural Products, Inc. accepts no responsibility for the end use of this detail. For conditions not shown, consult our Technical Staff at (800) 446-8828 for review of specific details.
SYSTEM: One Piece Moldings	REVISED: 11/06	SCALE: 1:1	



8 PARAPET

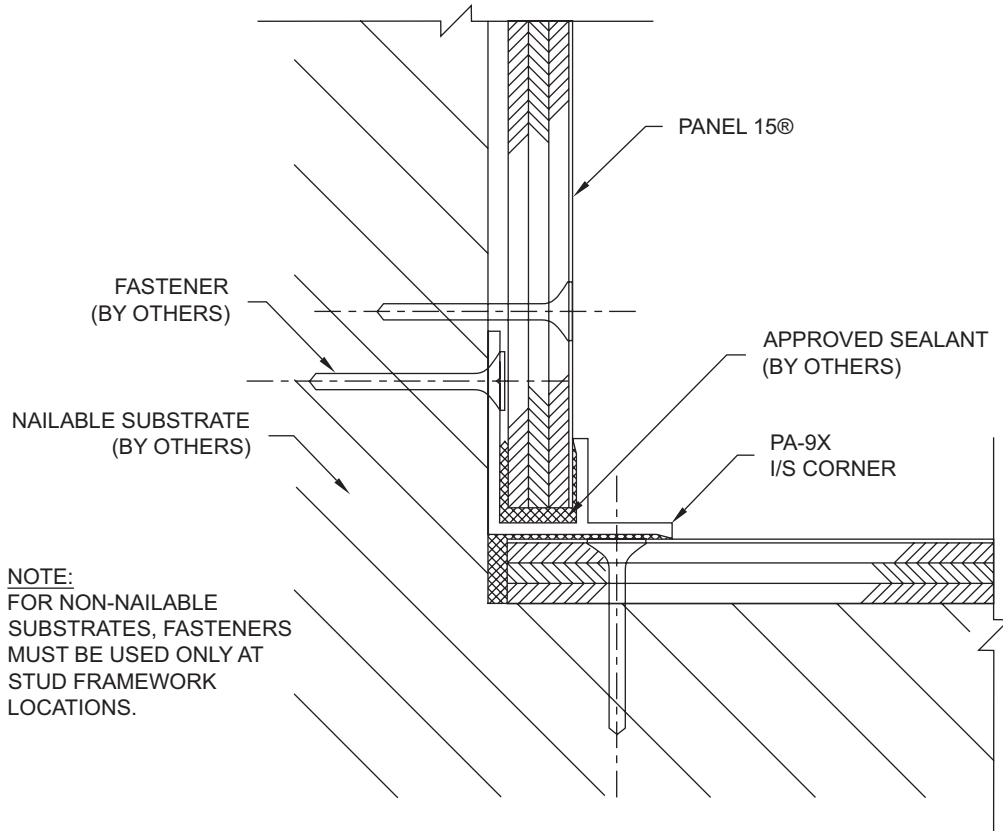
Note: This detail represents the latest recommendations from Citadel Architectural Products, Inc. It is presented in good faith and is subject to change without notice. Citadel Architectural Products, Inc. accepts no responsibility for the end use of this detail. For conditions not shown, consult our Technical Staff at (800) 446-8828 for review of specific details.

DRAWING NAME:
P15 1PC 8 Parapet.dwg

SYSTEM:
One Piece Moldings

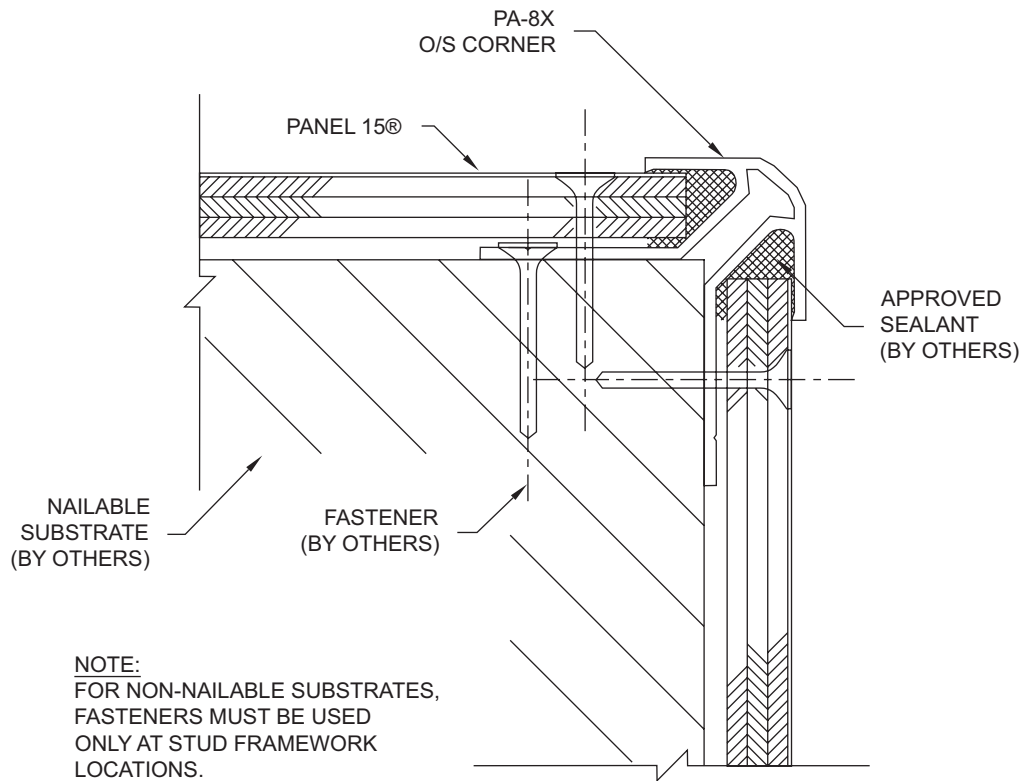
REVISED:
11/06

SCALE:
1:1



9 INSIDE CORNER

DRAWING NAME: P15 1PC 9 Inside Corner.dwg			Note: This detail represents the latest recommendations from Citadel Architectural Products, Inc. It is presented in good faith and is subject to change without notice. Citadel Architectural Products, Inc. accepts no responsibility for the end use of this detail. For conditions not shown, consult our Technical Staff at (800) 446-8828 for review of specific details.
SYSTEM: One Piece Moldings	REVISED: 11/06	SCALE: 1:1	



10 OUTSIDE CORNER

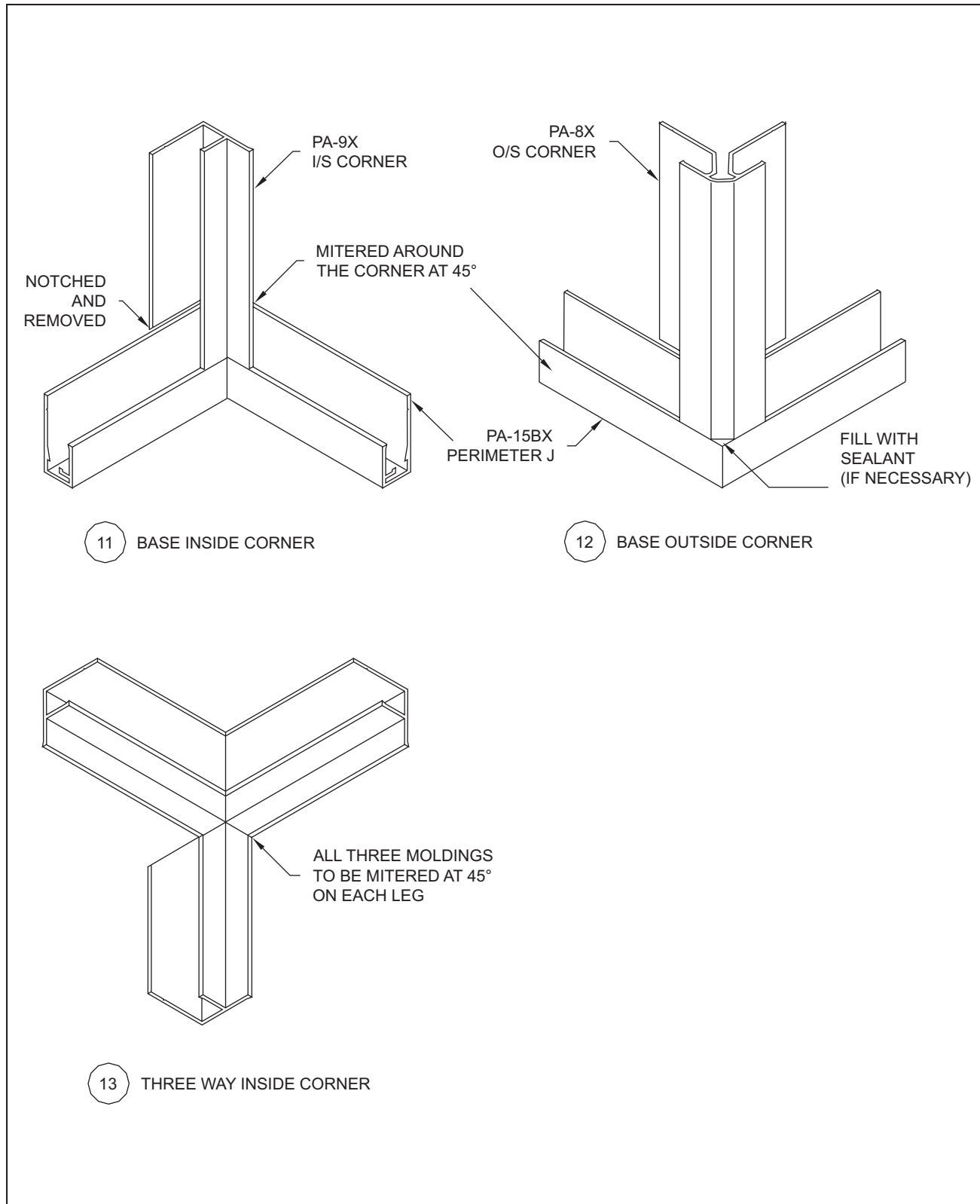
Note: This detail represents the latest recommendations from Citadel Architectural Products, Inc. It is presented in good faith and is subject to change without notice. Citadel Architectural Products, Inc. accepts no responsibility for the end use of this detail. For conditions not shown, consult our Technical Staff at (800) 446-8828 for review of specific details.

DRAWING NAME:
P15 1PC 10 Outside Corner.dwg

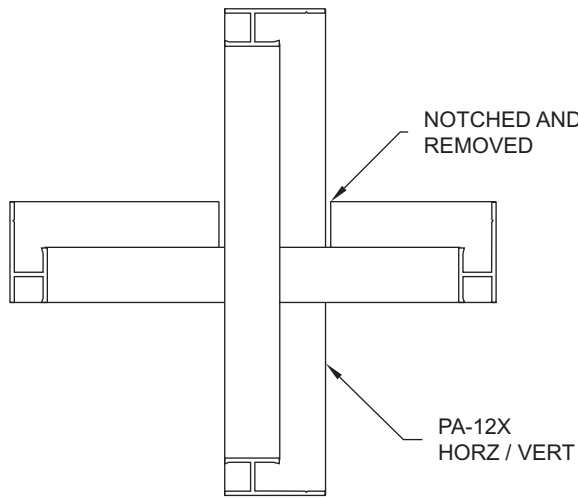
SYSTEM:
One Piece Moldings

REVISED:
11/06

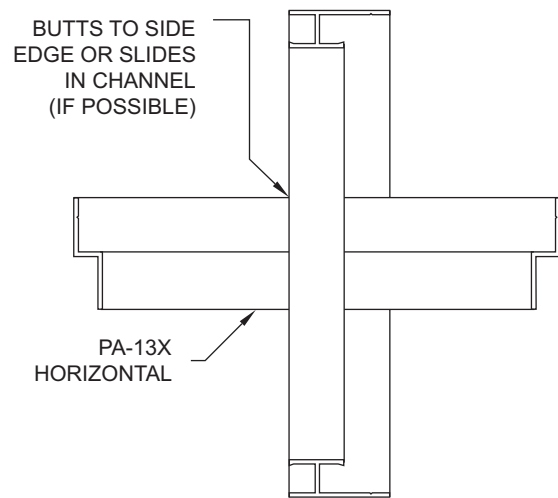
SCALE:
1:1



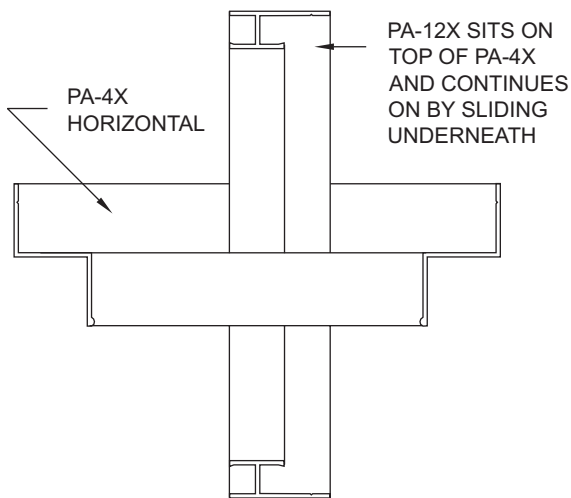
<p>DRAWING NAME: P15 1PC Intersections 11 To 13.dwg</p>		<p>Note: This detail represents the latest recommendations from Citadel Architectural Products, Inc. It is presented in good faith and is subject to change without notice. Citadel Architectural Products, Inc. accepts no responsibility for the end use of this detail. For conditions not shown, consult our Technical Staff at (800) 446-8828 for review of specific details.</p>
<p>SYSTEM: One Piece Moldings</p>	<p>REVISED: 11/06</p>	



14 HORIZONTAL / VERTICAL



15A HORIZONTAL ONLY, OPTION 1



15B HORIZONTAL ONLY, OPTION 2

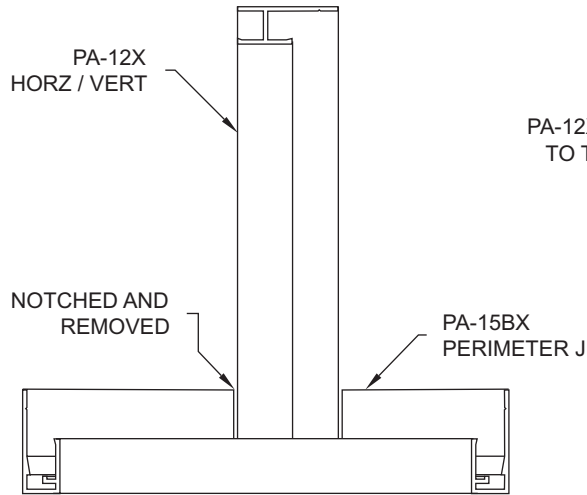
Note: This detail represents the latest recommendations from Citadel Architectural Products, Inc. It is presented in good faith and is subject to change without notice. Citadel Architectural Products, Inc. accepts no responsibility for the end use of this detail. For conditions not shown, consult our Technical Staff at (800) 446-8828 for review of specific details.

DRAWING NAME:
P15 1PC Intersections 14 To 15B.dwg

SYSTEM:
One Piece Moldings

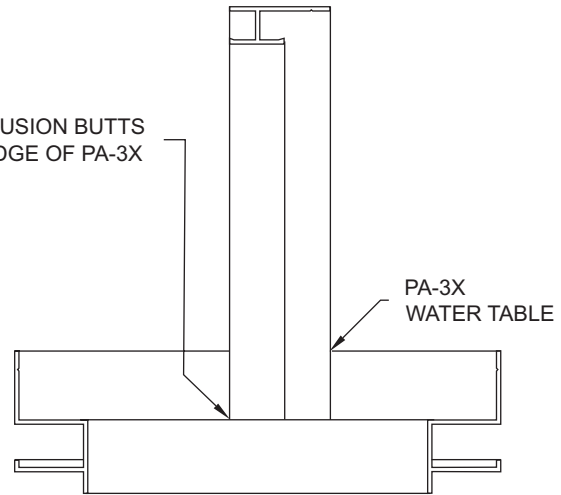
REVISED:
11/06

SCALE:
n/a

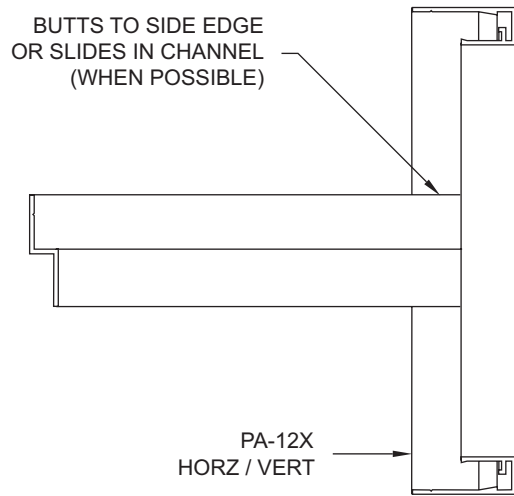


16A HORZ / VERT TERMINATION, OPTION 1

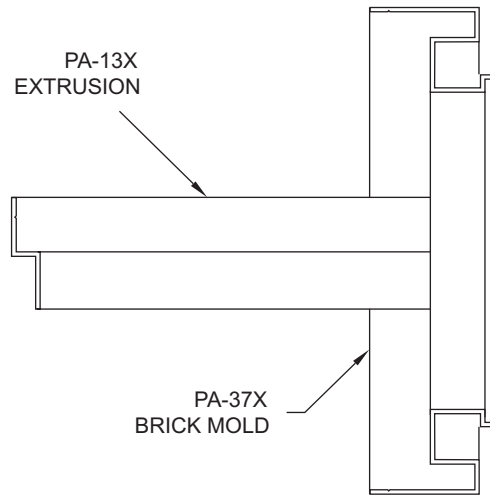
PA-12X EXTRUSION BUTTS
TO TOP LEDGE OF PA-3X



16B HORZ / VERT TERMINATION, OPTION 2



17A HORZ TERMINATION ONLY, OPTION 1



17B HORZ TERMINATION ONLY, OPTION 2

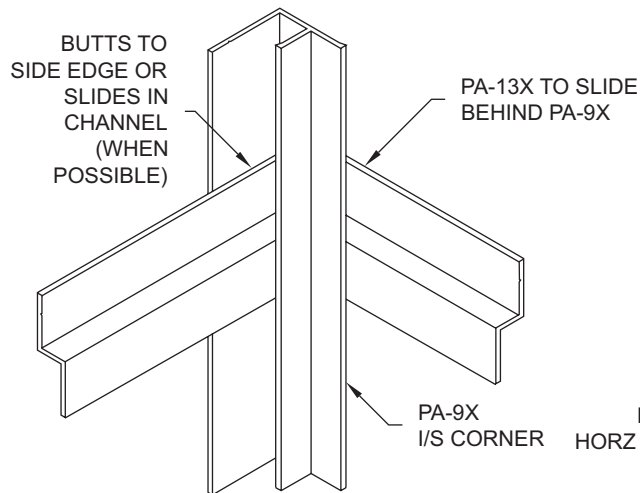
DRAWING NAME:
P15 1PC Intersections 16A To 17B.dwg

SYSTEM:
One Piece Moldings

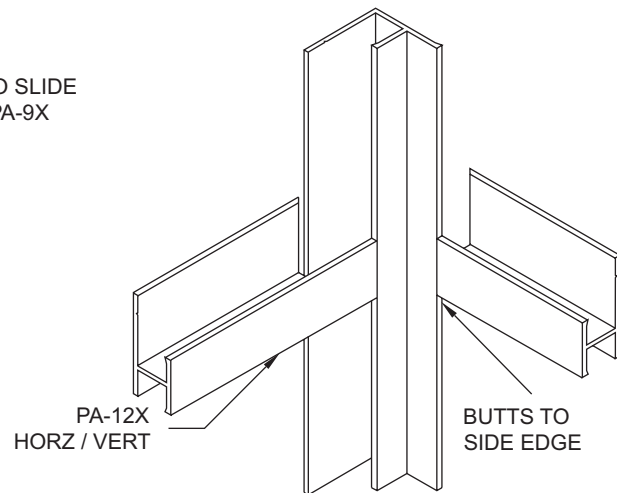
REVISED:
11/06

SCALE:
n/a

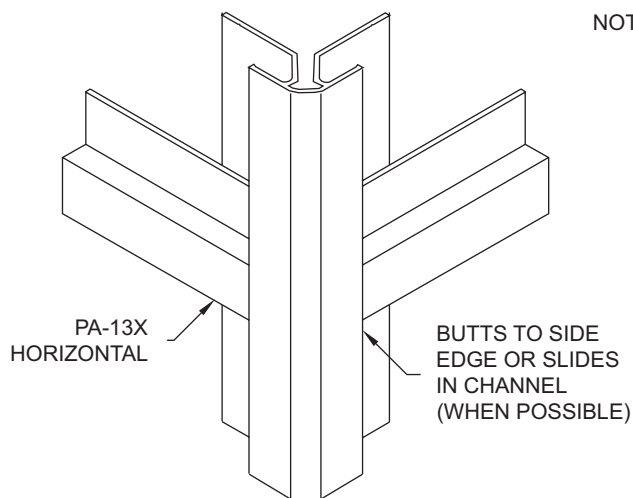
Note: This detail represents the latest recommendations from Citadel Architectural Products, Inc. It is presented in good faith and is subject to change without notice. Citadel Architectural Products, Inc. accepts no responsibility for the end use of this detail. For conditions not shown, consult our Technical Staff at (800) 446-8828 for review of specific details.



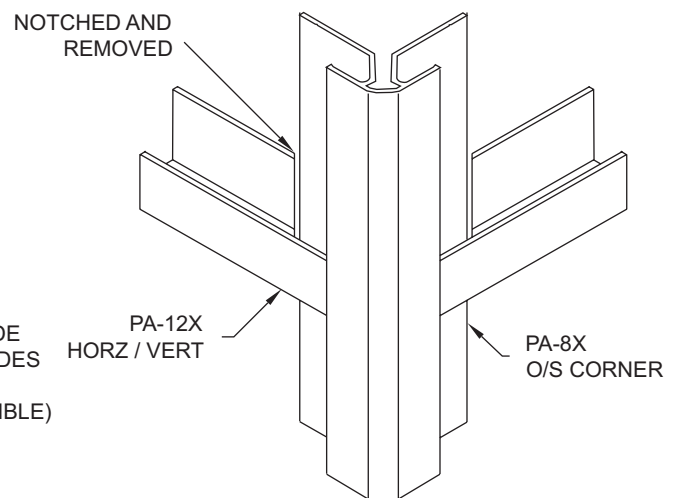
18A INSIDE CORNER, OPTION 1



18B INSIDE CORNER, OPTION 2



19A OUTSIDE CORNER, OPTION 1



19B OUTSIDE CORNER, OPTION 2

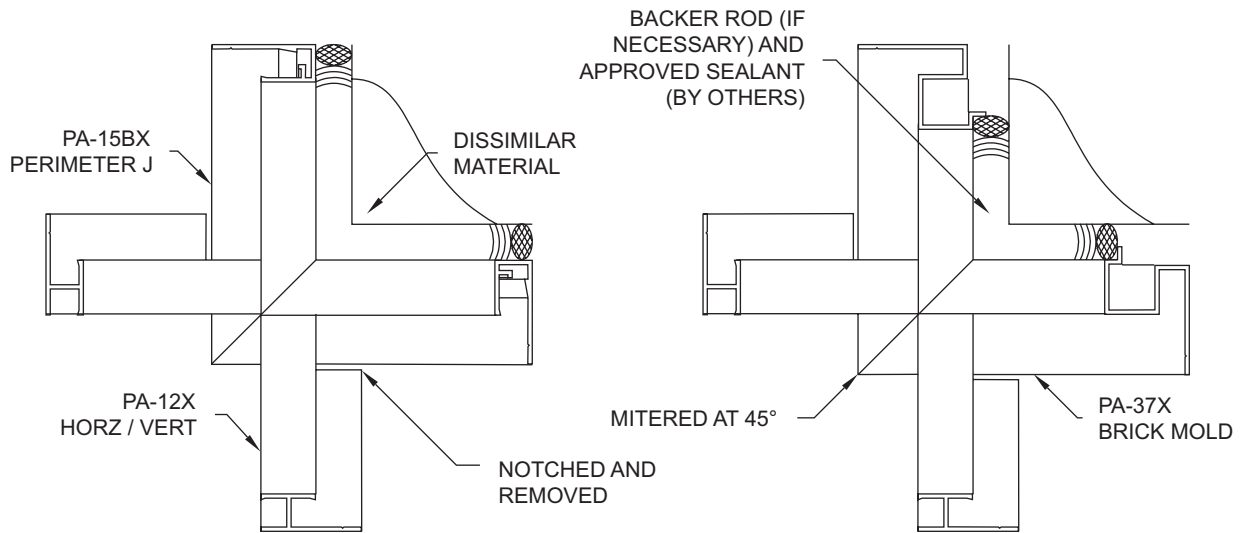
Note: This detail represents the latest recommendations from Citadel Architectural Products, Inc. It is presented in good faith and is subject to change without notice. Citadel Architectural Products, Inc. accepts no responsibility for the end use of this detail. For conditions not shown, consult our Technical Staff at (800) 446-8828 for review of specific details.

DRAWING NAME:
P15 1PC Intersections 18A To 19B.dwg

SYSTEM:
One Piece Moldings

REVISED:
11/06

SCALE:
n/a



20A DISSIMILAR MATERIAL CORNER, OPT. 1

20B DISSIMILAR MATERIAL CORNER, OPT. 2

<p>DRAWING NAME: P15 1PC Intersections 20A To 20B.dwg</p>			<p>Note: This detail represents the latest recommendations from Citadel Architectural Products, Inc. It is presented in good faith and is subject to change without notice. Citadel Architectural Products, Inc. accepts no responsibility for the end use of this detail. For conditions not shown, consult our Technical Staff at (800) 446-8828 for review of specific details.</p>
<p>SYSTEM: One Piece Moldings</p>	<p>REVISED: 11/06</p>	<p>SCALE: n/a</p>	