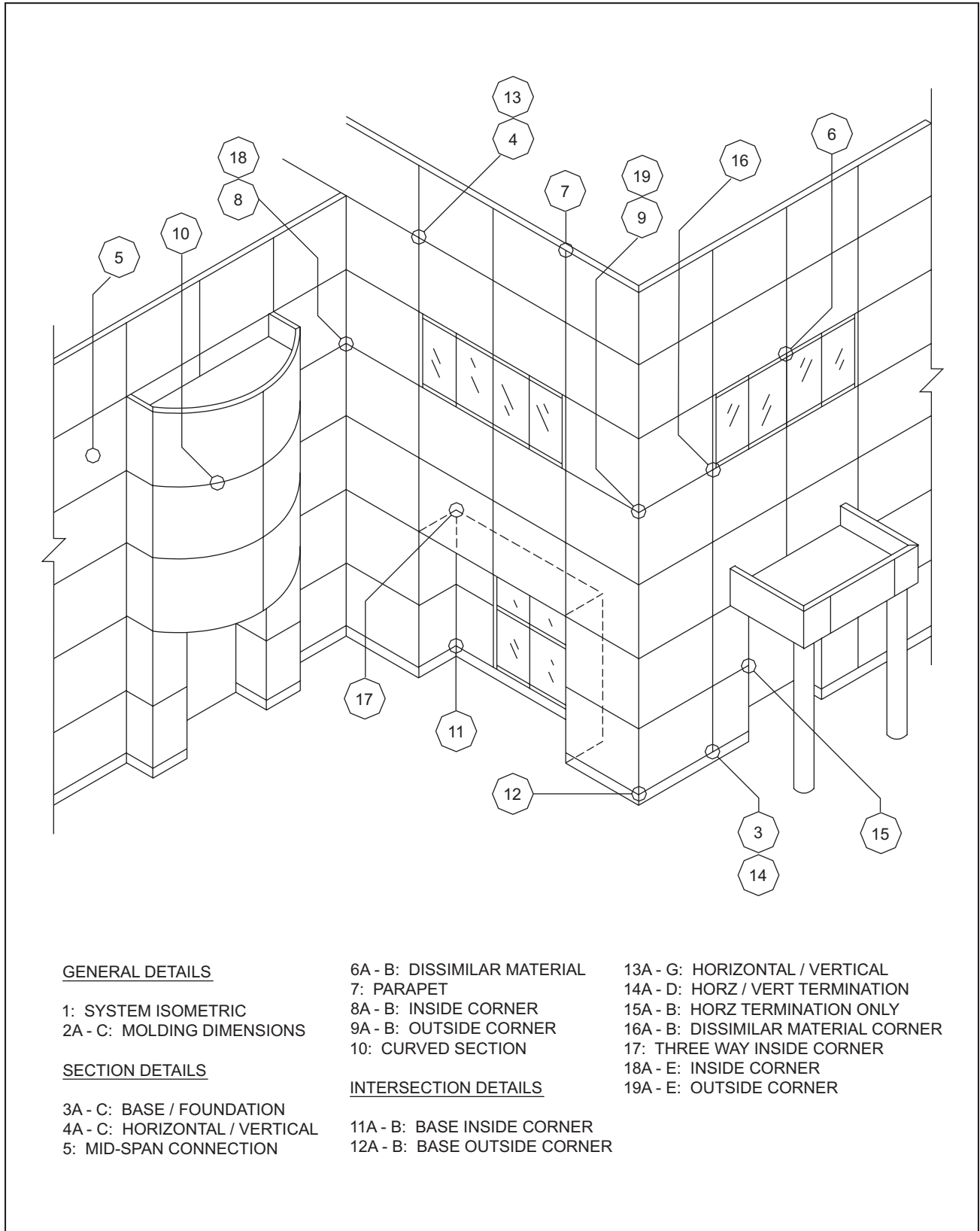
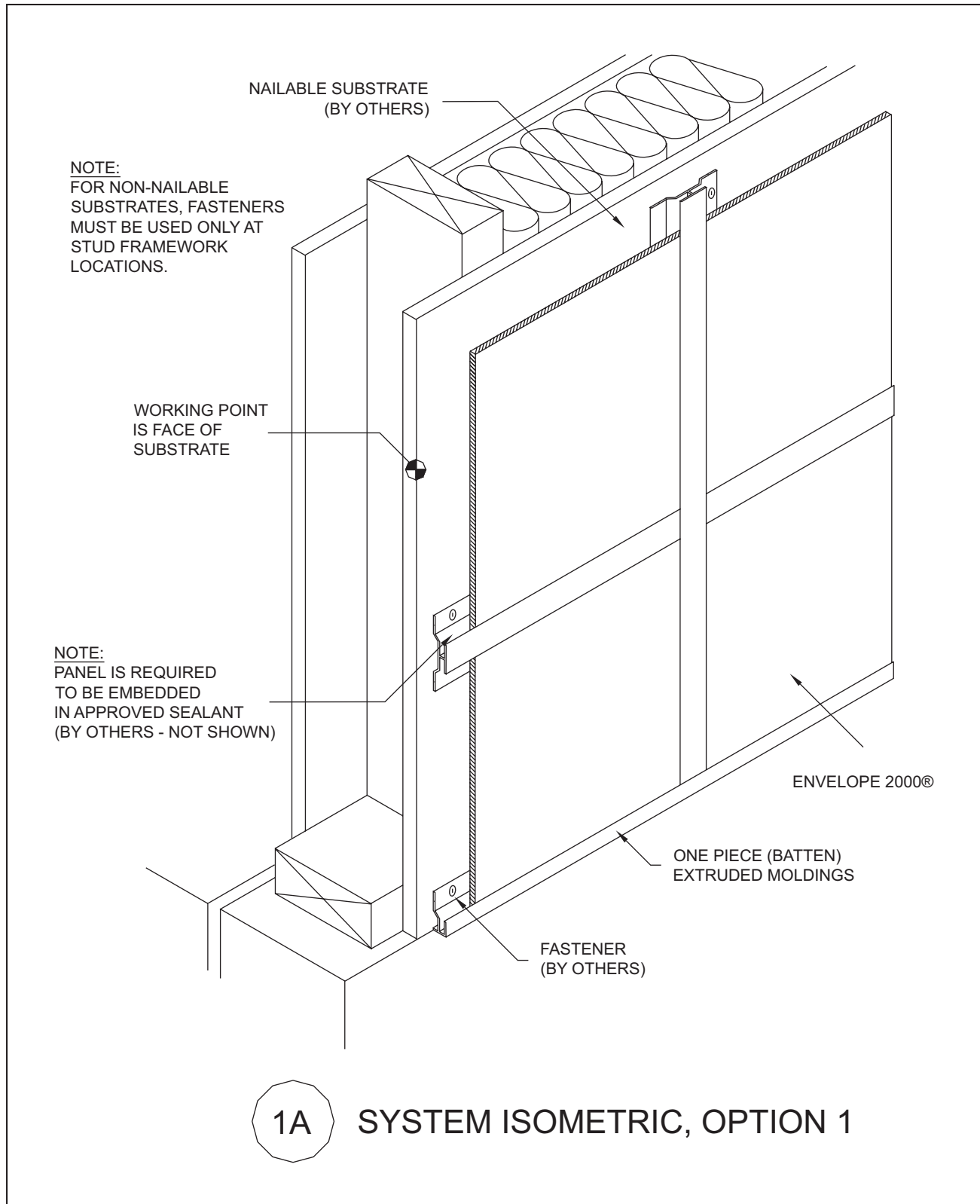


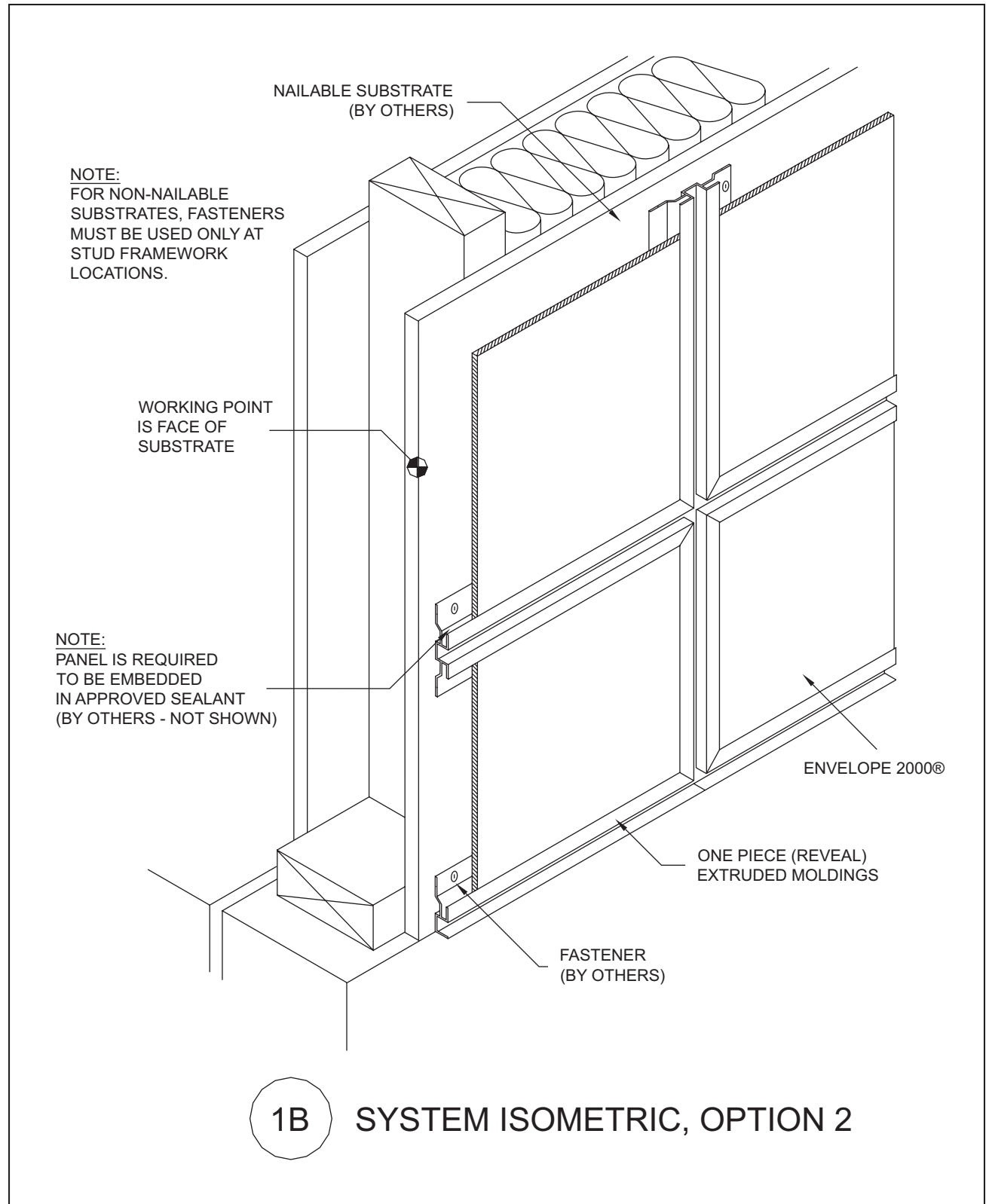
Typical Details: Reveal System (RV)



©2003 Citadel Architectural Products, Inc. An ISO 9001:2000 Registered Company.
 Envelope 2000® is a registered trademark of Citadel Architectural Products, Inc.
 Printed in The U.S.A. Form # 7.05.TD1.B Rev. (11/06) Supersedes (06/03)



DRAWING NAME: E2K RV 1A System Isometric Option 1.dwg			<p>Note: This detail represents the latest recommendations from Citadel Architectural Products, Inc. It is presented in good faith and is subject to change without notice. Citadel Architectural Products, Inc. accepts no responsibility for the end use of this detail. For conditions not shown, consult our Technical Staff at (800) 446-8828 for review of specific details.</p>
SYSTEM: Reveal (RV)	REVISED: 11/06	SCALE: n/a	



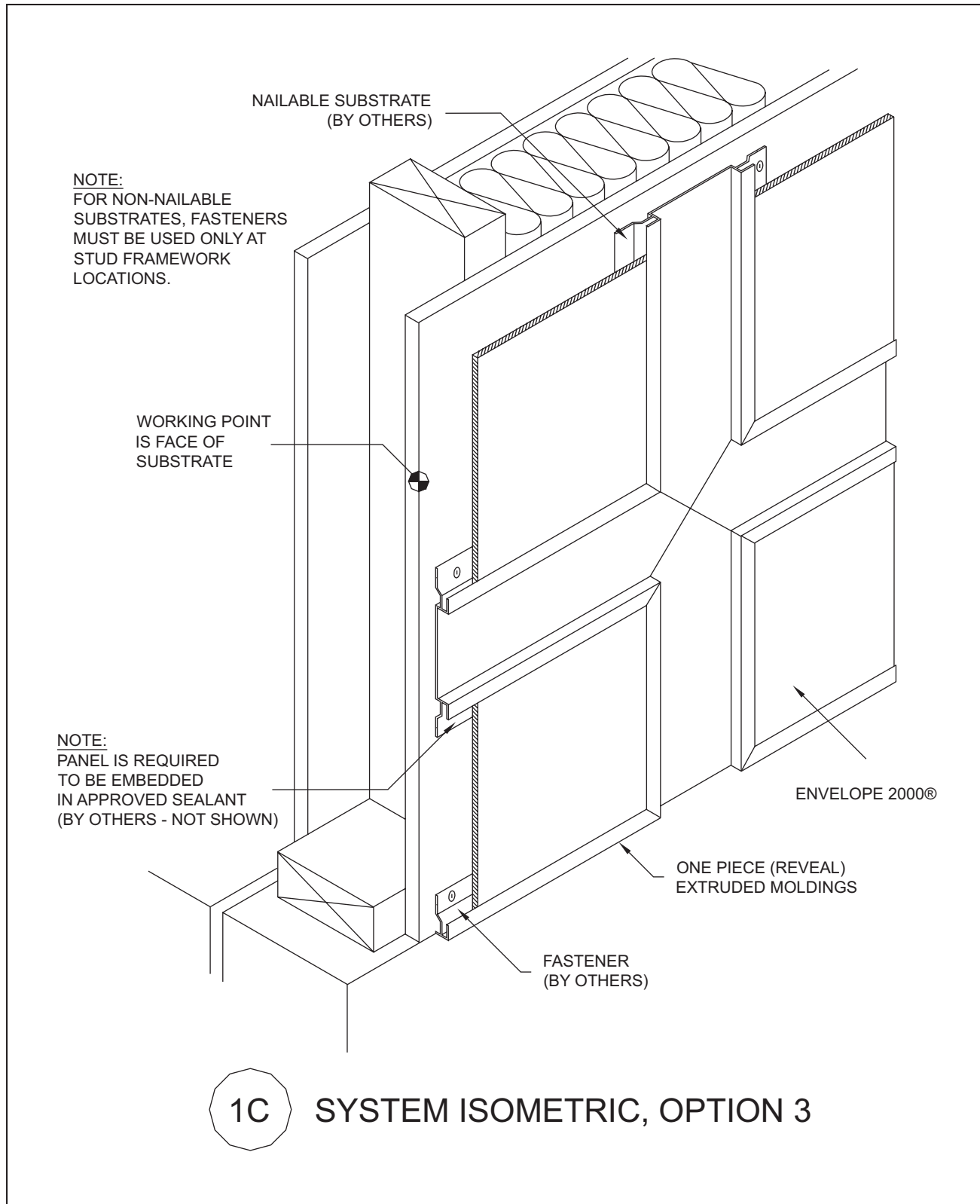
Note: This detail represents the latest recommendations from Citadel Architectural Products, Inc. It is presented in good faith and is subject to change without notice. Citadel Architectural Products, Inc. accepts no responsibility for the end use of this detail. For conditions not shown, consult our Technical Staff at (800) 446-8828 for review of specific details.

DRAWING NAME:
E2K RV 1B System Isometric Option 2.dwg

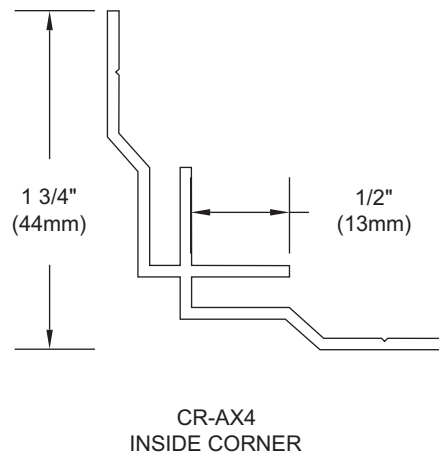
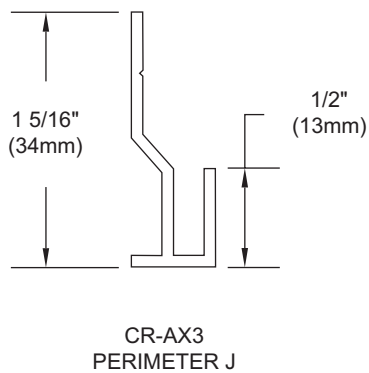
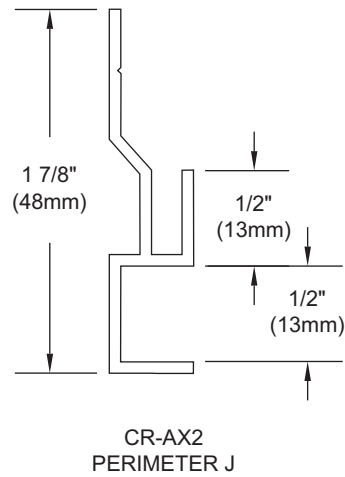
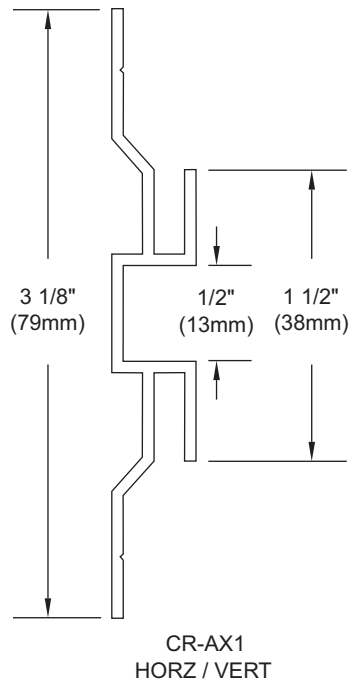
SYSTEM:
Reveal (RV)

REVISED:
11/06

SCALE:
n/a



DRAWING NAME: E2K RV 1C System Isometric Option 3.dwg			Note: This detail represents the latest recommendations from Citadel Architectural Products, Inc. It is presented in good faith and is subject to change without notice. Citadel Architectural Products, Inc. accepts no responsibility for the end use of this detail. For conditions not shown, consult our Technical Staff at (800) 446-8828 for review of specific details.
SYSTEM: Reveal (RV)	REVISED: 11/06	SCALE: n/a	



MOLDING DIMENSIONS, PAGE 1

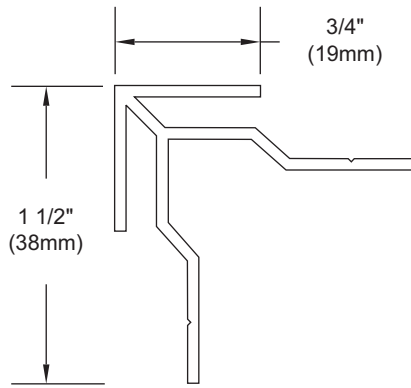
Note: This detail represents the latest recommendations from Citadel Architectural Products, Inc. It is presented in good faith and is subject to change without notice. Citadel Architectural Products, Inc. accepts no responsibility for the end use of this detail. For conditions not shown, consult our Technical Staff at (800) 446-8828 for review of specific details.

DRAWING NAME:
E2K RV 2A Molding Dimensions Page 1.dwg

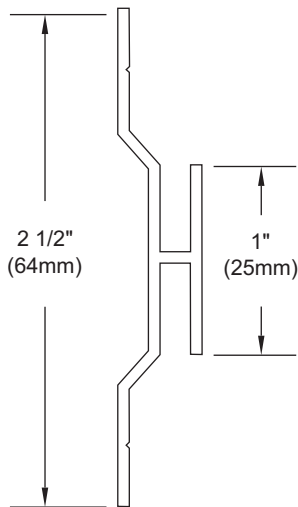
SYSTEM:
Reveal (RV)

REVISED:
11/06

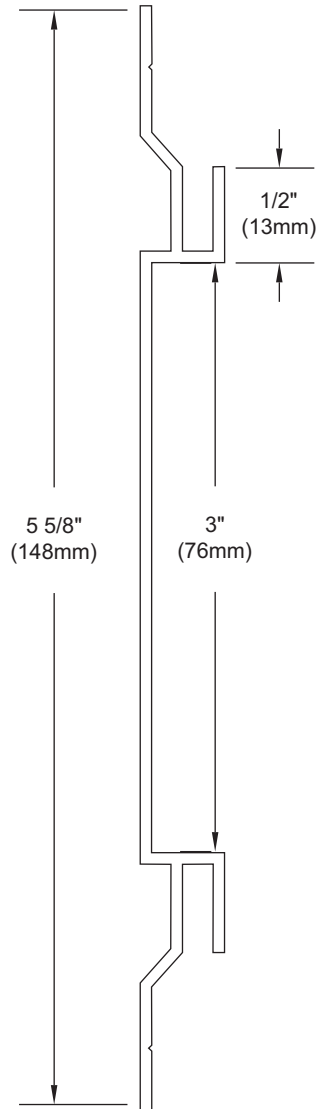
SCALE:
1:1



CR-AX5
OUTSIDE CORNER



CR-AX7
HORZ / VERT



CR-AX6
HORZ / VERT



MOLDING DIMENSIONS, PAGE 2

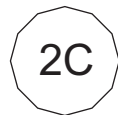
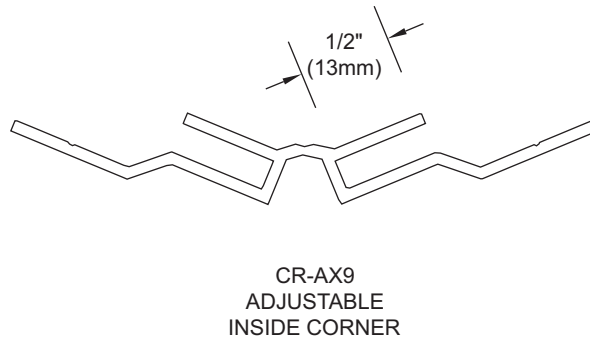
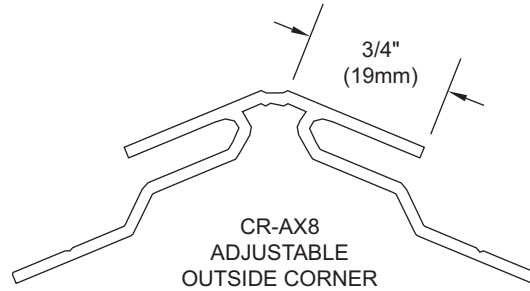
DRAWING NAME:
E2K RV 2B Molding Dimensions Page 2.dwg

SYSTEM:
Reveal (RV)

REVISED:
11/06

SCALE:
1:1

Note: This detail represents the latest recommendations from Citadel Architectural Products, Inc. It is presented in good faith and is subject to change without notice. Citadel Architectural Products, Inc. accepts no responsibility for the end use of this detail. For conditions not shown, consult our Technical Staff at (800) 446-8828 for review of specific details.



MOLDING DIMENSIONS, PAGE 3

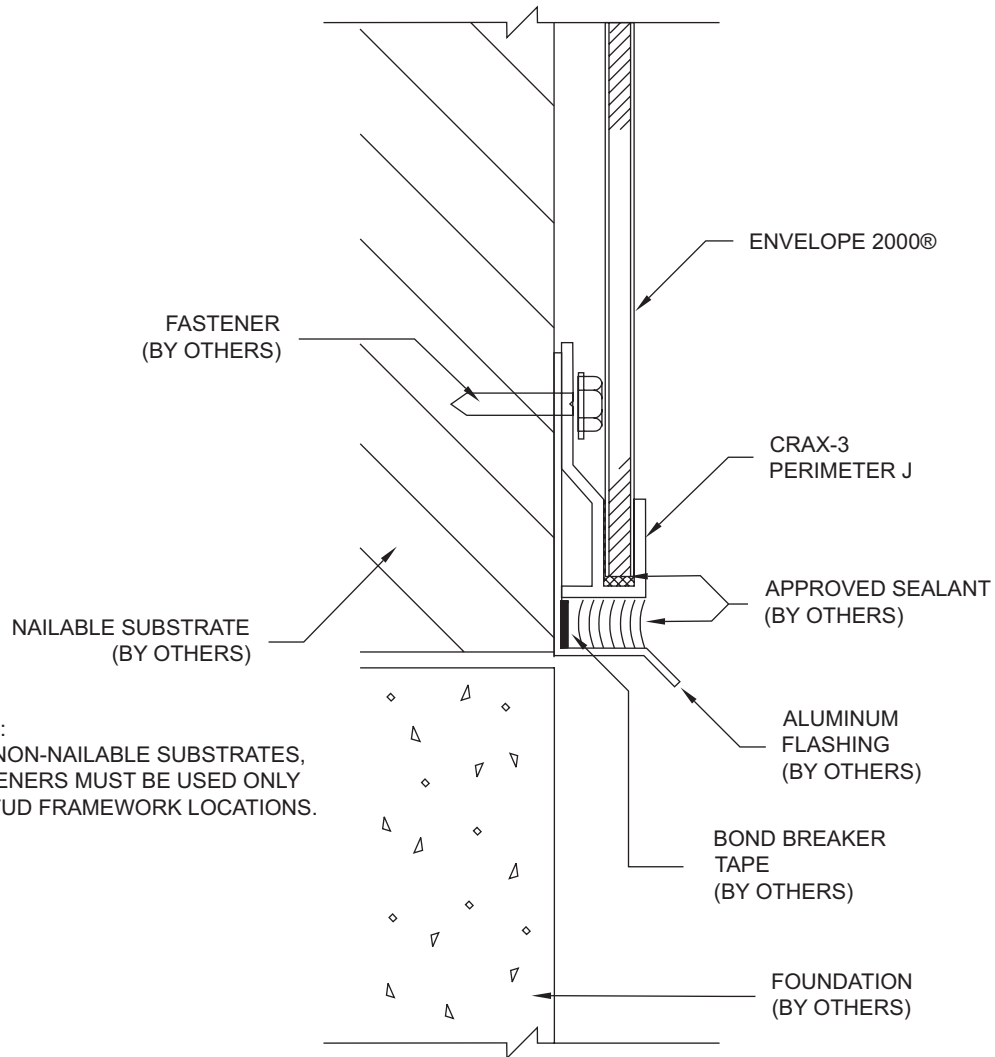
Note: This detail represents the latest recommendations from Citadel Architectural Products, Inc. It is presented in good faith and is subject to change without notice. Citadel Architectural Products, Inc. accepts no responsibility for the end use of this detail. For conditions not shown, consult our Technical Staff at (800) 446-8828 for review of specific details.

DRAWING NAME:
E2K RV 2C Molding Dimensions Page 3.dwg

SYSTEM:
Reveal (RV)

REVISED:
11/06

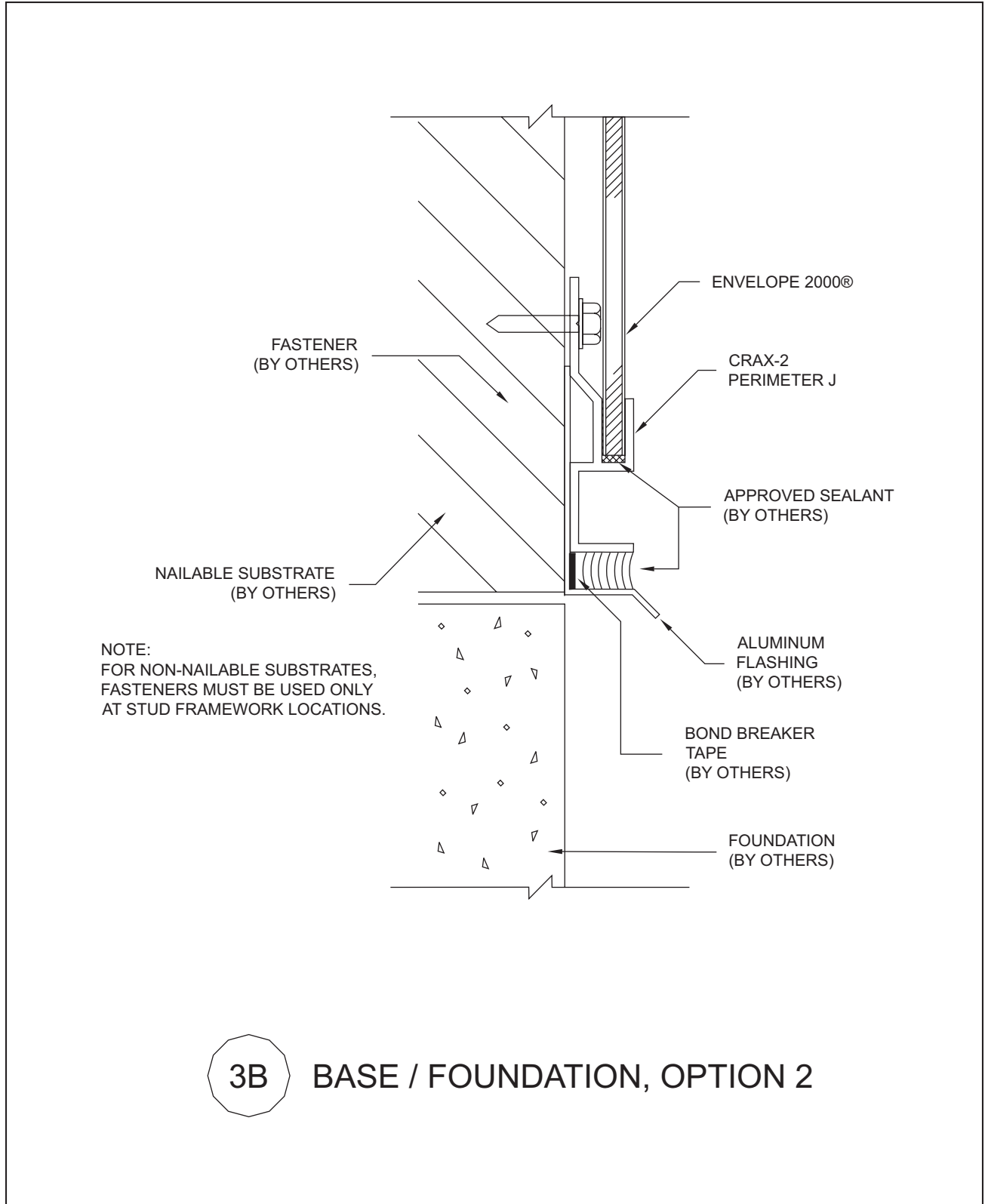
SCALE:
1:1



3A

BASE / FOUNDATION, OPTION 1

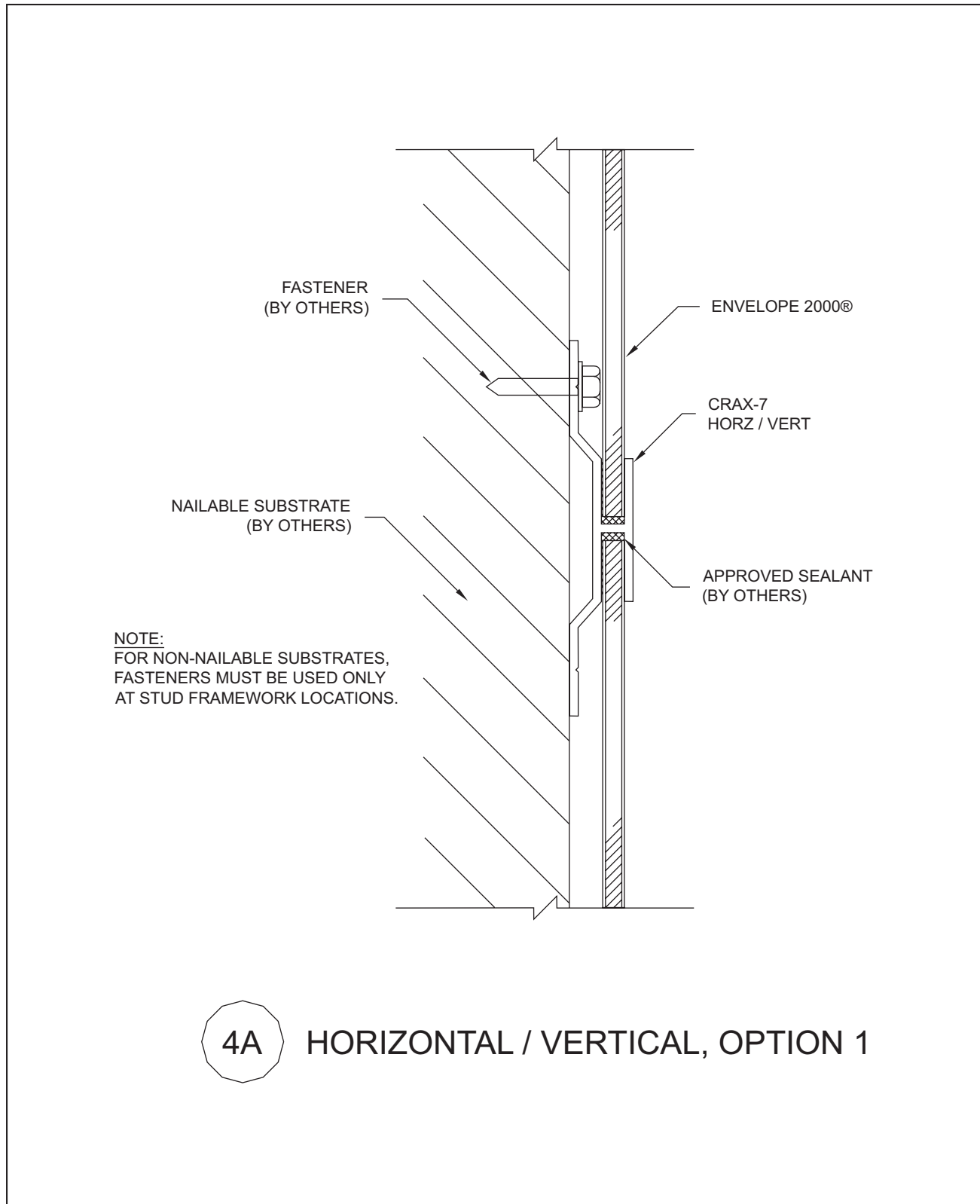
<p>DRAWING NAME: E2K RV 3A Base Foundation Option 1.dwg</p>			<p>Note: This detail represents the latest recommendations from Citadel Architectural Products, Inc. It is presented in good faith and is subject to change without notice. Citadel Architectural Products, Inc. accepts no responsibility for the end use of this detail. For conditions not shown, consult our Technical Staff at (800) 446-8828 for review of specific details.</p>
<p>SYSTEM: Reveal (RV)</p>	<p>REVISED: 11/06</p>	<p>SCALE: 1:1</p>	



3B BASE / FOUNDATION, OPTION 2

Note: This detail represents the latest recommendations from Citadel Architectural Products, Inc. It is presented in good faith and is subject to change without notice. Citadel Architectural Products, Inc. accepts no responsibility for the end use of this detail. For conditions not shown, consult our Technical Staff at (800) 446-8828 for review of specific details.

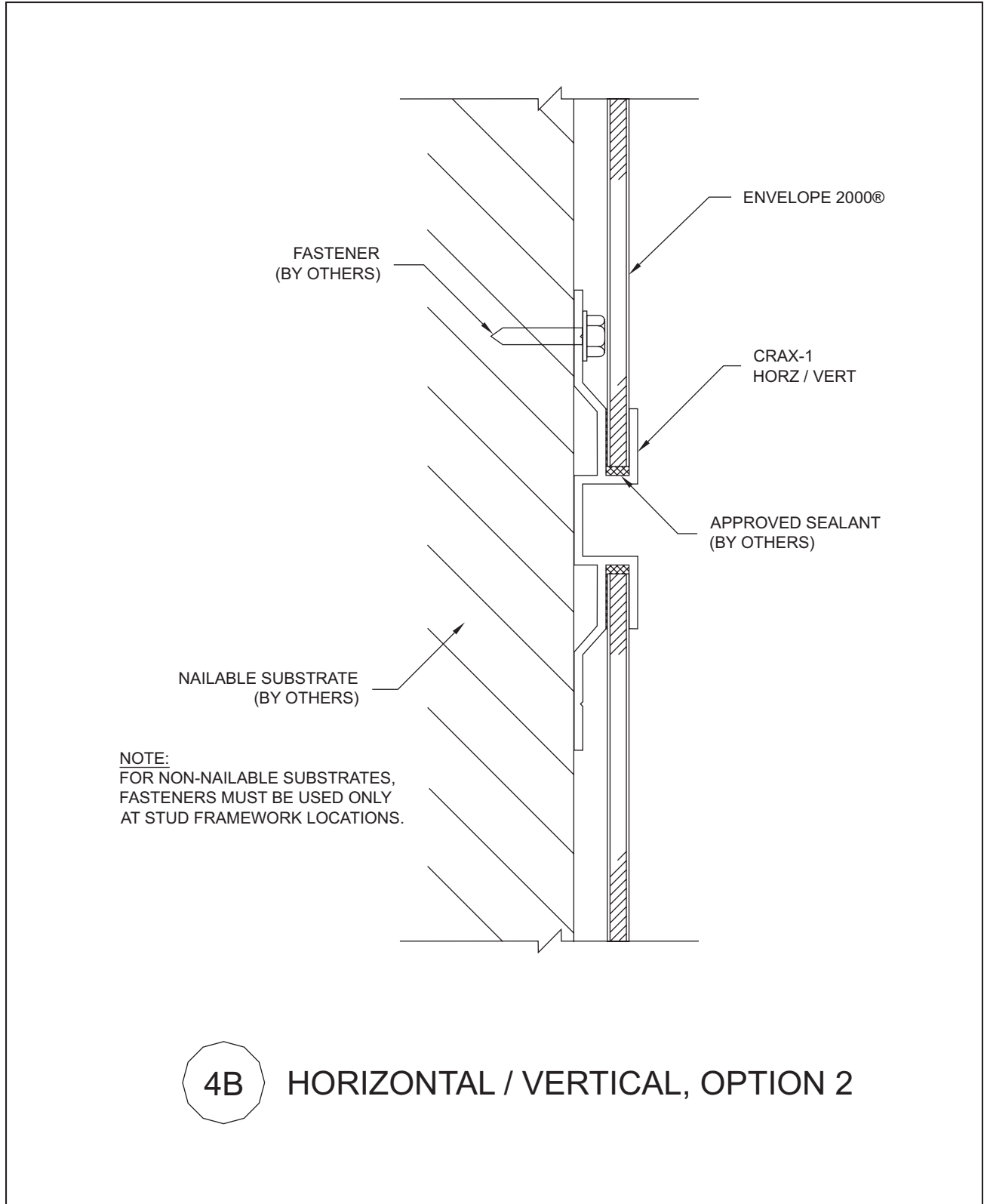
DRAWING NAME: E2K RV 3B Base Foundation Option 2.dwg		
SYSTEM: Reveal (RV)	REVISED: 11/06	SCALE: 1:1



4A

HORIZONTAL / VERTICAL, OPTION 1

<p>DRAWING NAME: E2K RV 4A Horizontal Vertical Option 1.dwg</p>			<p>Note: This detail represents the latest recommendations from Citadel Architectural Products, Inc. It is presented in good faith and is subject to change without notice. Citadel Architectural Products, Inc. accepts no responsibility for the end use of this detail. For conditions not shown, consult our Technical Staff at (800) 446-8828 for review of specific details.</p>
<p>SYSTEM: Reveal (RV)</p>	<p>REVISED: 11/06</p>	<p>SCALE: 1:1</p>	



4B HORIZONTAL / VERTICAL, OPTION 2

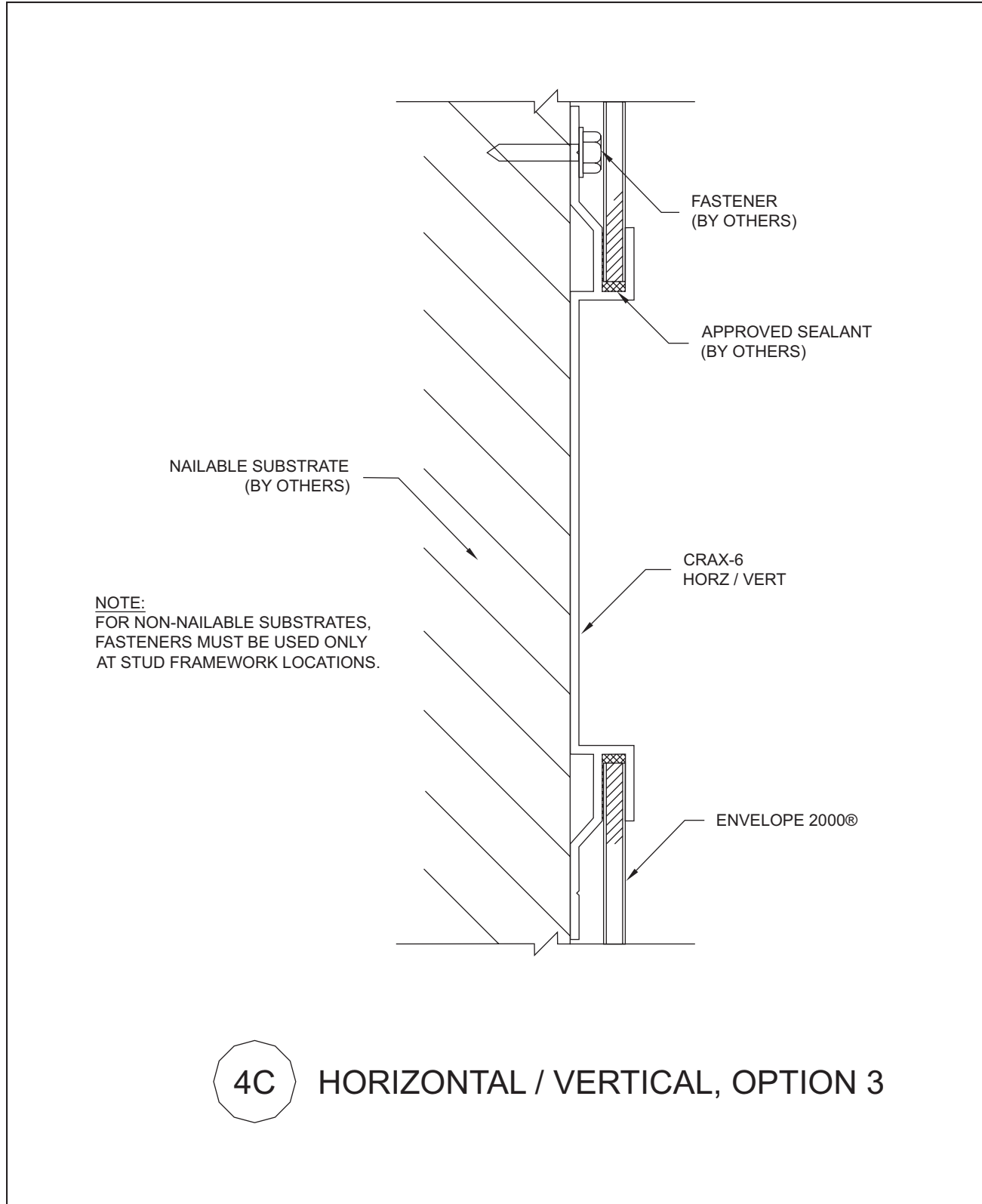
Note: This detail represents the latest recommendations from Citadel Architectural Products, Inc. It is presented in good faith and is subject to change without notice. Citadel Architectural Products, Inc. accepts no responsibility for the end use of this detail. For conditions not shown, consult our Technical Staff at (800) 446-8828 for review of specific details.

DRAWING NAME:
E2K RV 4B Horizontal Vertical Option 2.dwg

SYSTEM:
Reveal (RV)

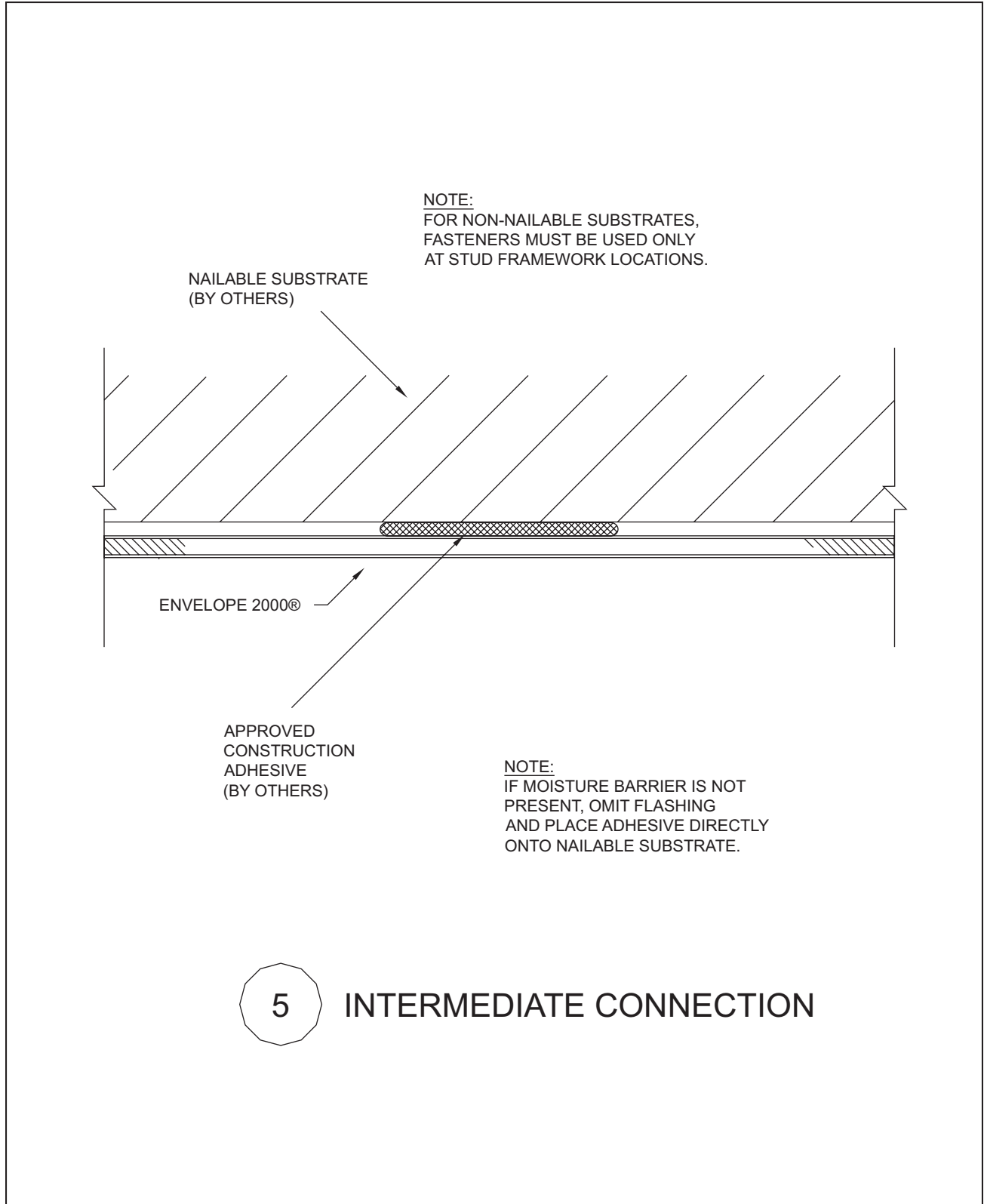
REVISED:
11/06

SCALE:
1:1



4C HORIZONTAL / VERTICAL, OPTION 3

DRAWING NAME: E2K 4C Horizontal Vertical Option 3.dwg			Note: This detail represents the latest recommendations from Citadel Architectural Products, Inc. It is presented in good faith and is subject to change without notice. Citadel Architectural Products, Inc. accepts no responsibility for the end use of this detail. For conditions not shown, consult our Technical Staff at (800) 446-8828 for review of specific details.
SYSTEM: Reveal (RV)	REVISED: 11/06	SCALE: 1:1	



5

INTERMEDIATE CONNECTION

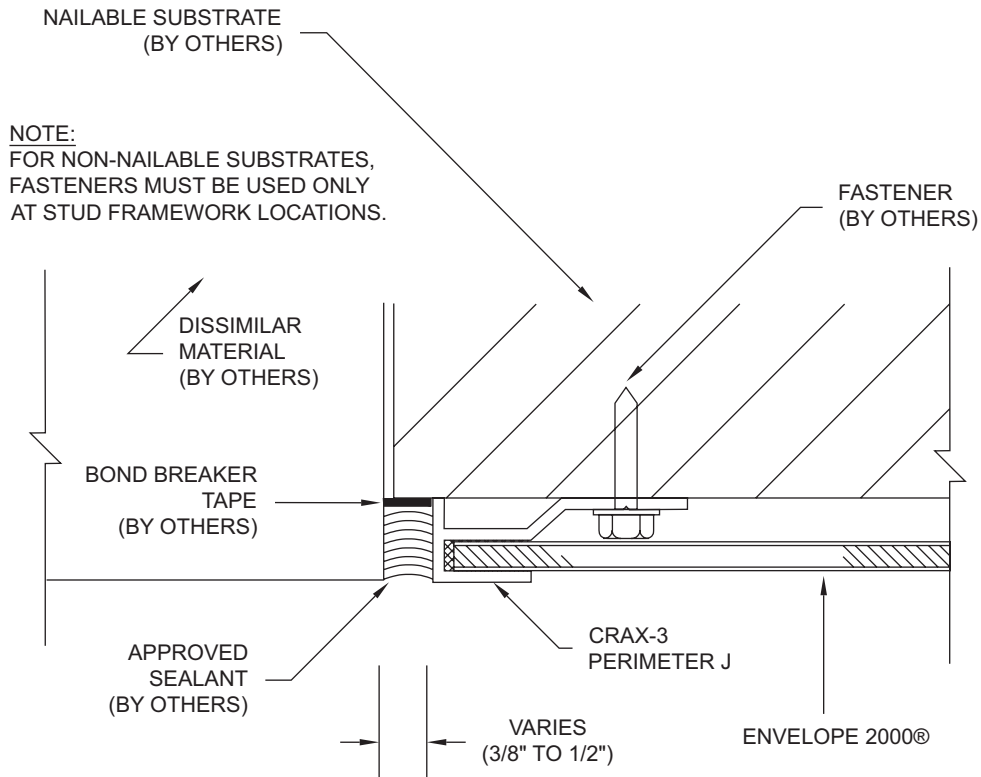
Note: This detail represents the latest recommendations from Citadel Architectural Products, Inc. It is presented in good faith and is subject to change without notice. Citadel Architectural Products, Inc. accepts no responsibility for the end use of this detail. For conditions not shown, consult our Technical Staff at (800) 446-8828 for review of specific details.

DRAWING NAME:
E2K RV 5 Intermediate Connection.dwg

SYSTEM:
Reveal (RV)

REVISED:
11/06

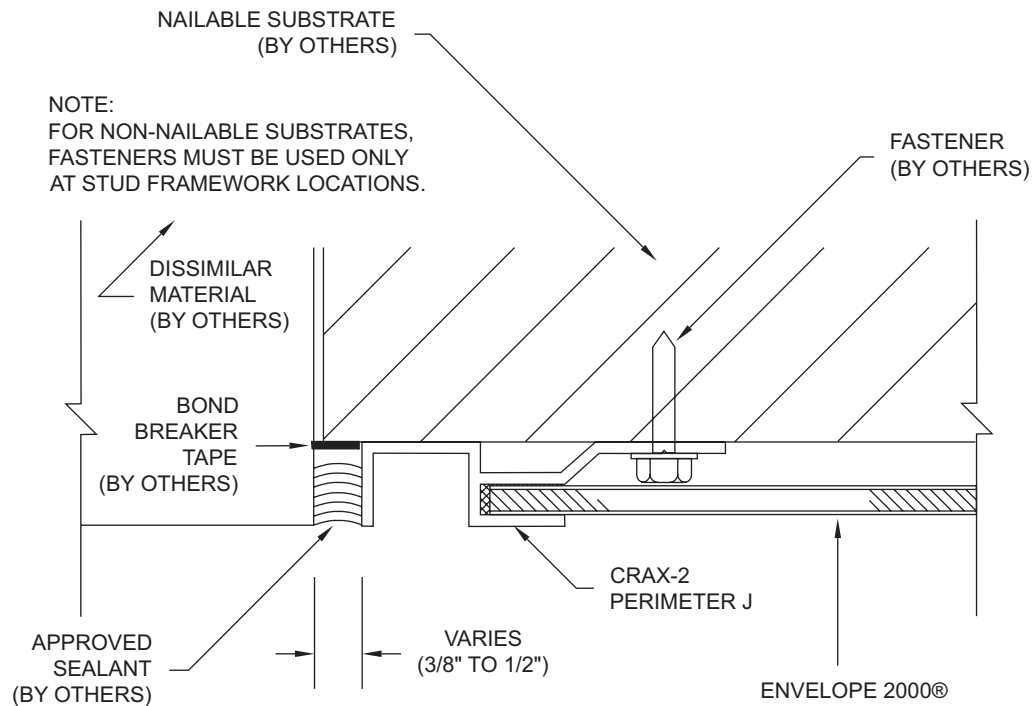
SCALE:
1:1



NOTE:
FOR NON-NAILABLE SUBSTRATES,
FASTENERS MUST BE USED ONLY
AT STUD FRAMEWORK LOCATIONS.

6A DISSIMILAR MATERIAL, OPTION 1

DRAWING NAME: E2K RV 6A Dissimilar Material Option 1.dwg			Note: This detail represents the latest recommendations from Citadel Architectural Products, Inc. It is presented in good faith and is subject to change without notice. Citadel Architectural Products, Inc. accepts no responsibility for the end use of this detail. For conditions not shown, consult our Technical Staff at (800) 446-8828 for review of specific details.
SYSTEM: Reveal (RV)	REVISED: 11/06	SCALE: 1:1	



6B DISSIMILAR MATERIAL, OPTION 2

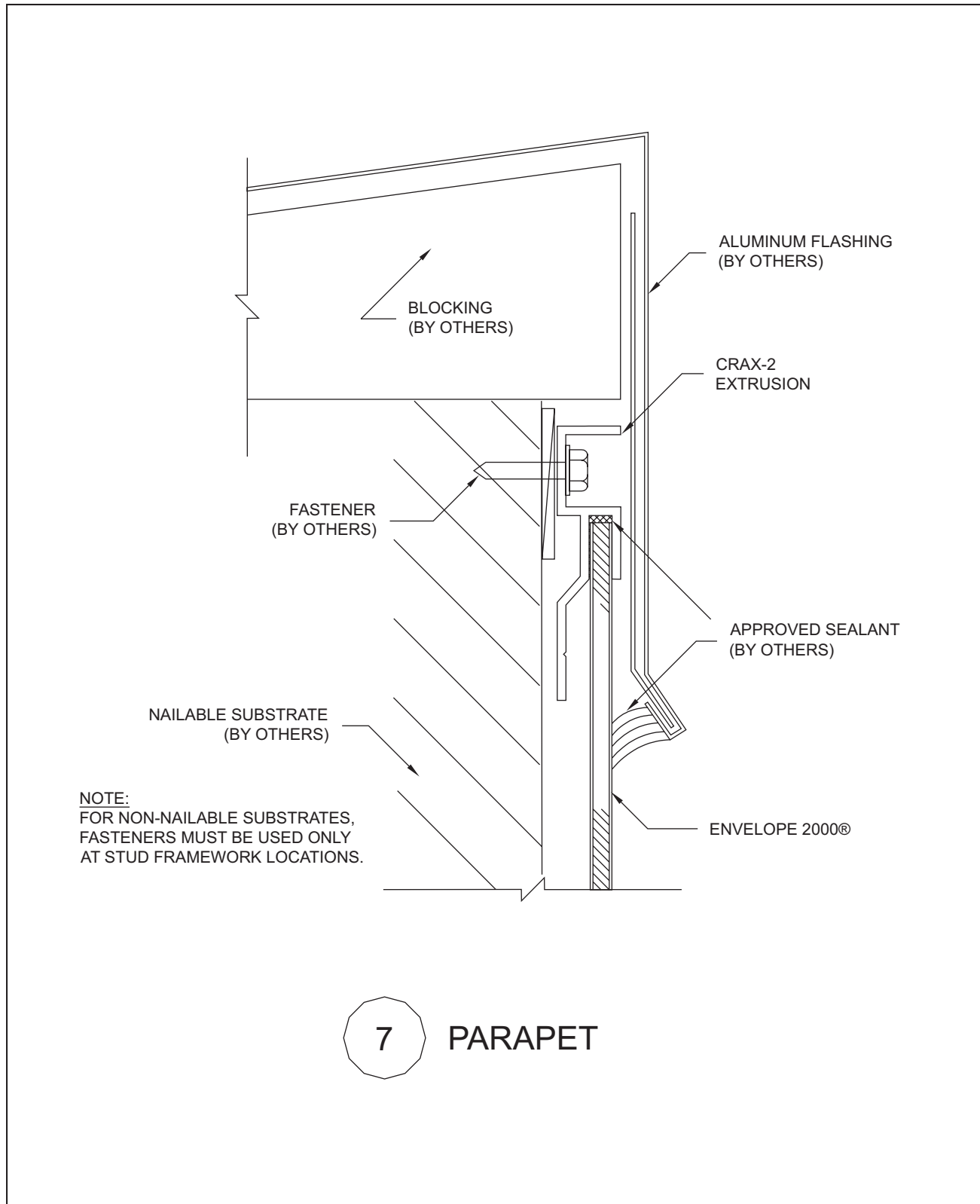
Note: This detail represents the latest recommendations from Citadel Architectural Products, Inc. It is presented in good faith and is subject to change without notice. Citadel Architectural Products, Inc. accepts no responsibility for the end use of this detail. For conditions not shown, consult our Technical Staff at (800) 446-8828 for review of specific details.

DRAWING NAME:
E2K RV 6B Dissimilar Material Option 2.dwg

SYSTEM:
Reveal (RV)

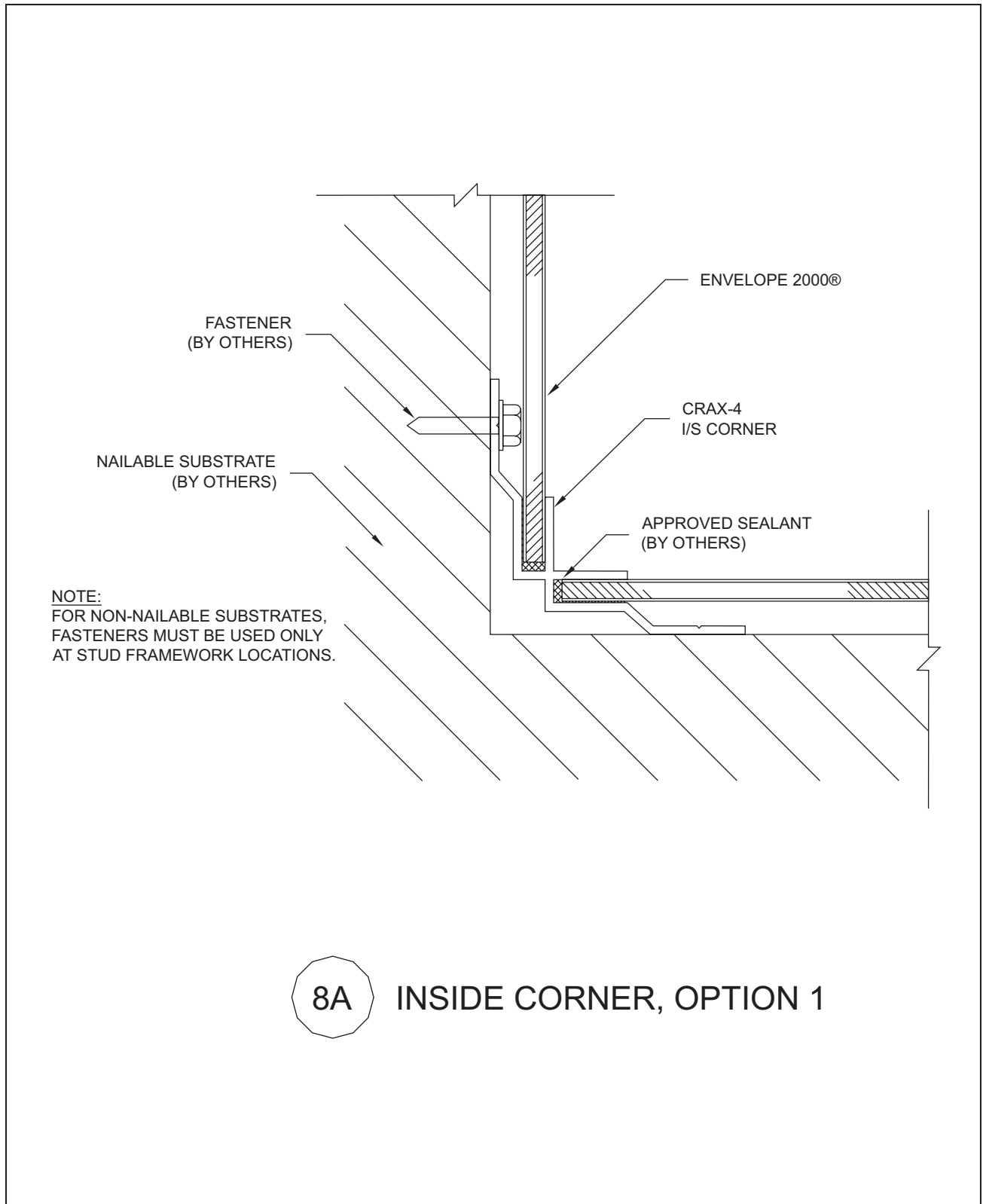
REVISED:
11/06

SCALE:
1:1



7 PARAPET

DRAWING NAME: E2K RV 7 Parapet.dwg			Note: This detail represents the latest recommendations from Citadel Architectural Products, Inc. It is presented in good faith and is subject to change without notice. Citadel Architectural Products, Inc. accepts no responsibility for the end use of this detail. For conditions not shown, consult our Technical Staff at (800) 446-8828 for review of specific details.
SYSTEM: Reveal (RV)	REVISED: 11/06	SCALE: 1:1	



8A

INSIDE CORNER, OPTION 1

Note: This detail represents the latest recommendations from Citadel Architectural Products, Inc. It is presented in good faith and is subject to change without notice. Citadel Architectural Products, Inc. accepts no responsibility for the end use of this detail. For conditions not shown, consult our Technical Staff at (800) 446-8828 for review of specific details.

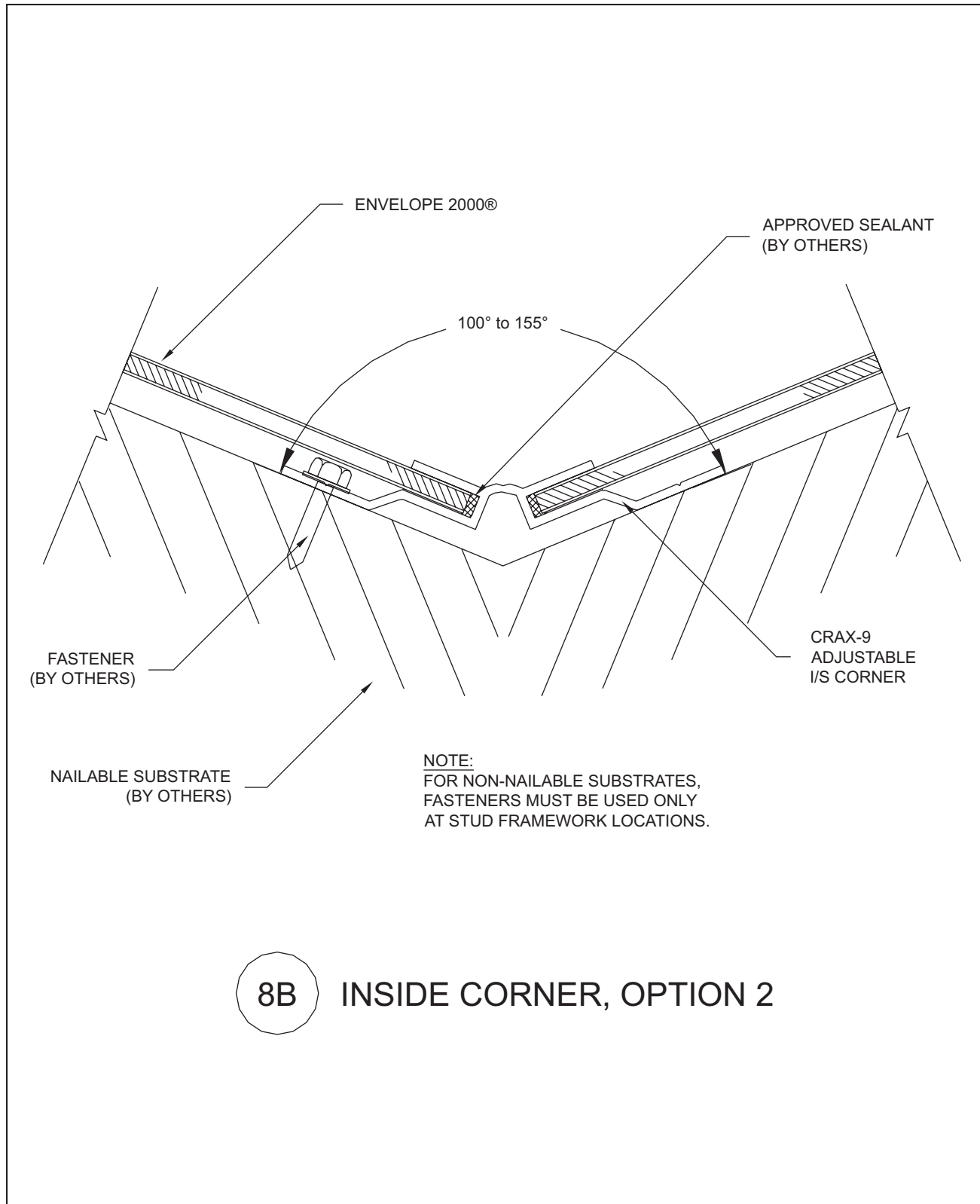
DRAWING NAME:

E2K RV 8A Inside Corner Option 1.dwg

SYSTEM:
Reveal (RV)

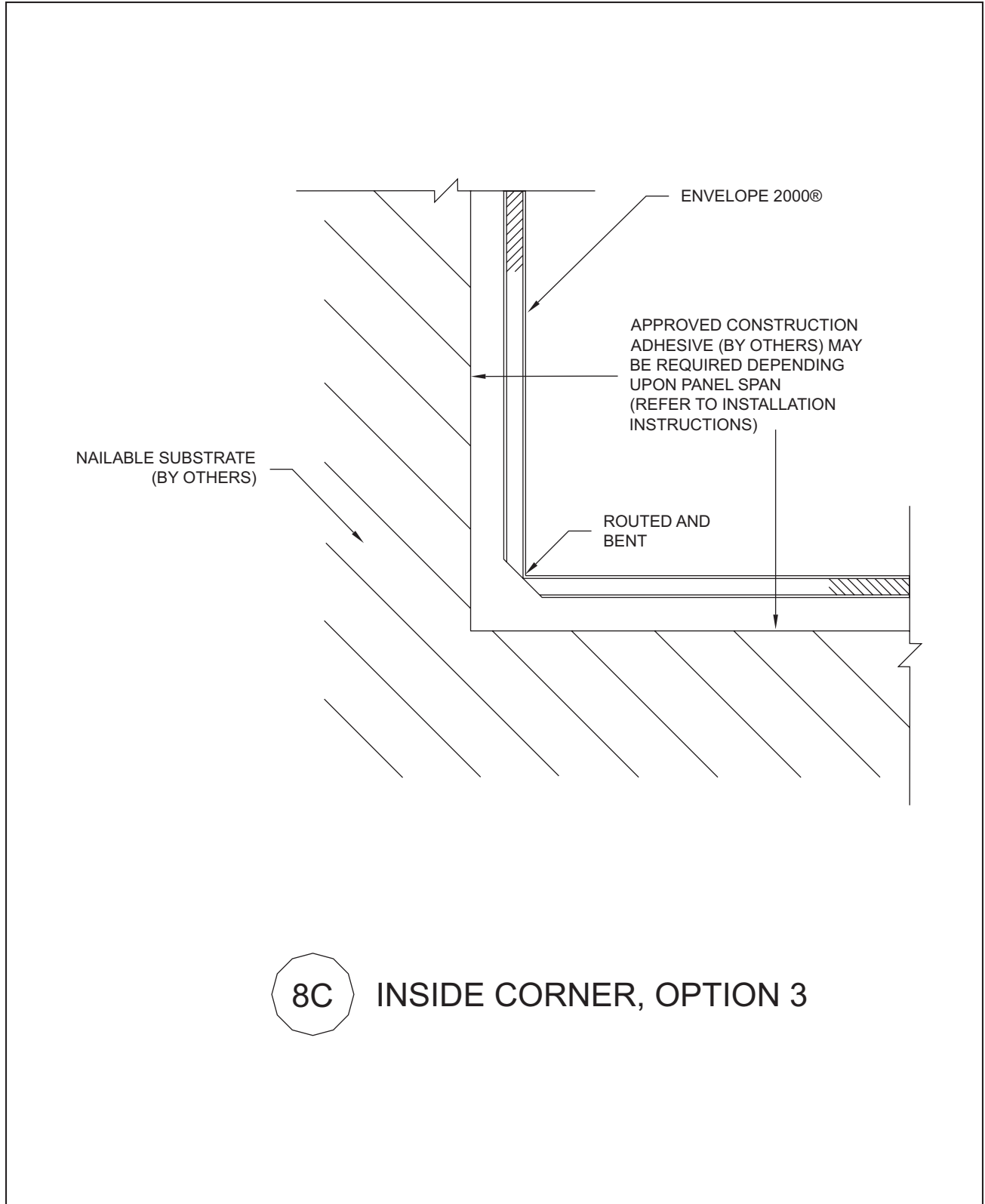
REVISED:
11/06

SCALE:
1:1



8B INSIDE CORNER, OPTION 2

DRAWING NAME: E2K RV 8B Inside Corner Option 2.dwg			Note: This detail represents the latest recommendations from Citadel Architectural Products, Inc. It is presented in good faith and is subject to change without notice. Citadel Architectural Products, Inc. accepts no responsibility for the end use of this detail. For conditions not shown, consult our Technical Staff at (800) 446-8828 for review of specific details.
SYSTEM: Reveal (RV)	REVISED: 11/06	SCALE: 1:1	



8C INSIDE CORNER, OPTION 3

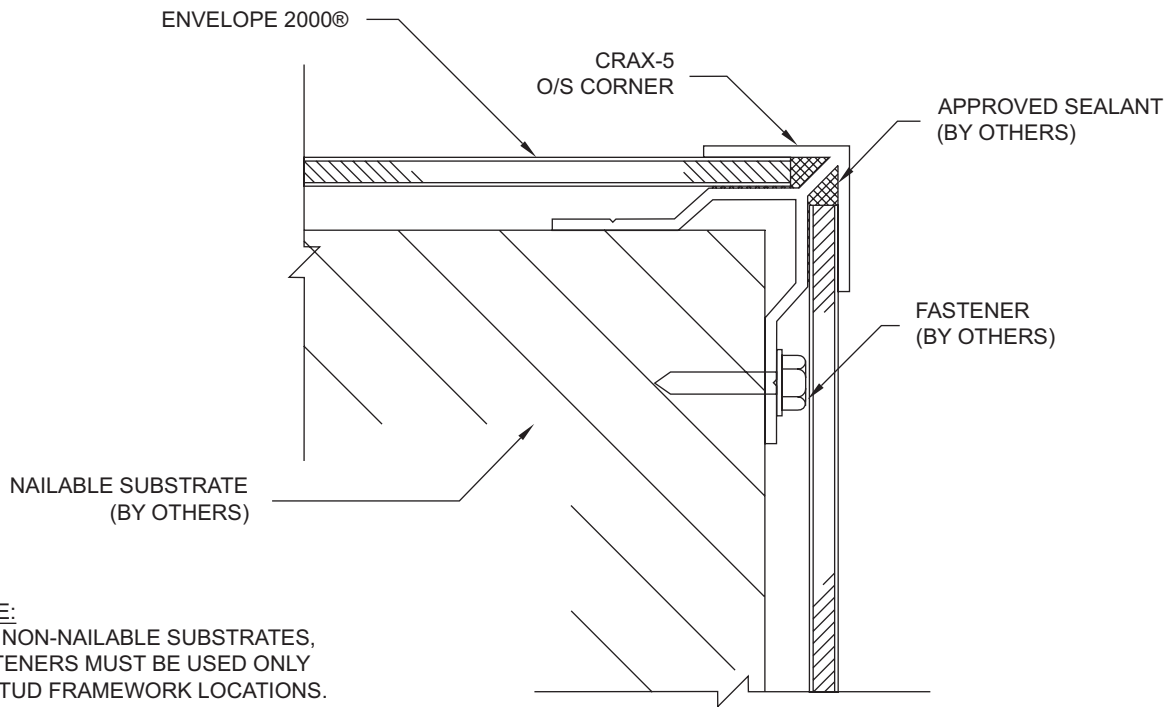
Note: This detail represents the latest recommendations from Citadel Architectural Products, Inc. It is presented in good faith and is subject to change without notice. Citadel Architectural Products, Inc. accepts no responsibility for the end use of this detail. For conditions not shown, consult our Technical Staff at (800) 446-8828 for review of specific details.

DRAWING NAME:
E2K RV 8C Inside Corner Option 3.dwg

SYSTEM:
Reveal (RV)

REVISED:
11/06

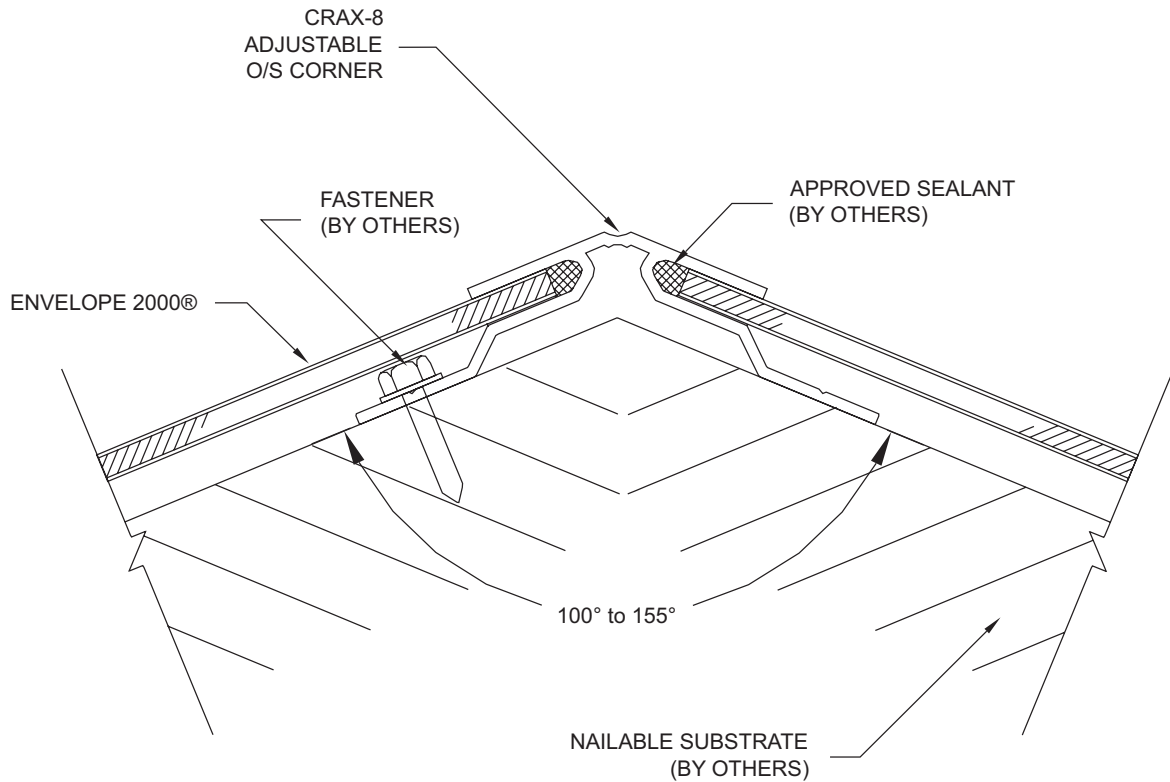
SCALE:
1:1



NOTE:
FOR NON-NAILABLE SUBSTRATES,
FASTENERS MUST BE USED ONLY
AT STUD FRAMEWORK LOCATIONS.

9A OUTSIDE CORNER, OPTION 1

DRAWING NAME: E2K RV 9A Outside Corner Option 1.dwg			Note: This detail represents the latest recommendations from Citadel Architectural Products, Inc. It is presented in good faith and is subject to change without notice. Citadel Architectural Products, Inc. accepts no responsibility for the end use of this detail. For conditions not shown, consult our Technical Staff at (800) 446-8828 for review of specific details.
SYSTEM: Reveal (RV)	REVISED: 11/06	SCALE: 1:1	



NOTE:
 FOR NON-NAILABLE SUBSTRATES,
 FASTENERS MUST BE USED ONLY
 AT STUD FRAMEWORK LOCATIONS.

9B OUTSIDE CORNER, OPTION 2

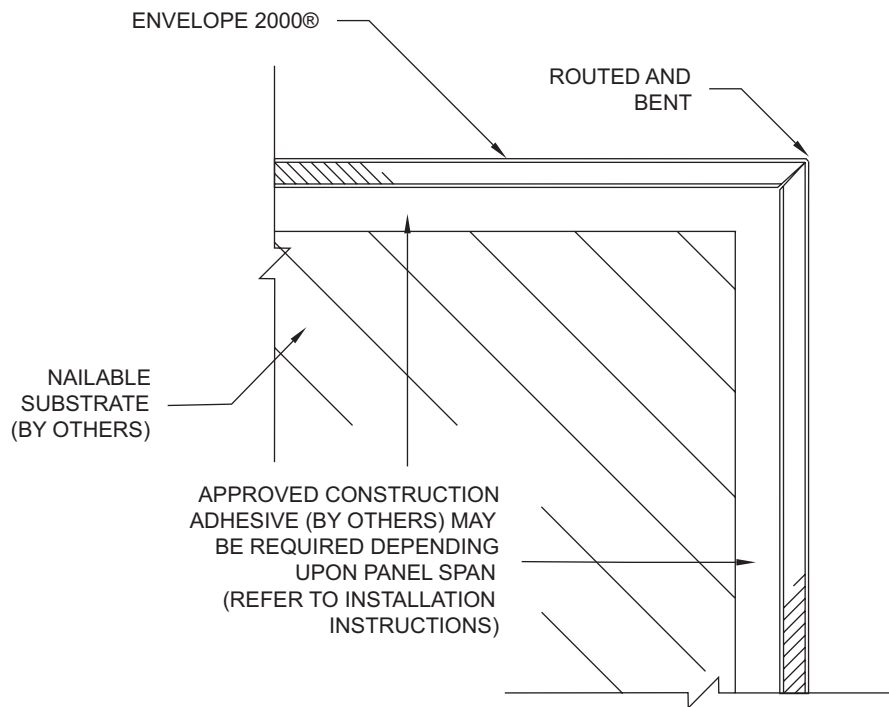
Note: This detail represents the latest recommendations from Citadel Architectural Products, Inc. It is presented in good faith and is subject to change without notice. Citadel Architectural Products, Inc. accepts no responsibility for the end use of this detail. For conditions not shown, consult our Technical Staff at (800) 446-8828 for review of specific details.

DRAWING NAME:
 E2K RV 9B Outside Corner Option 2.dwg

SYSTEM:
 Reveal (RV)

REVISED:
 11/06

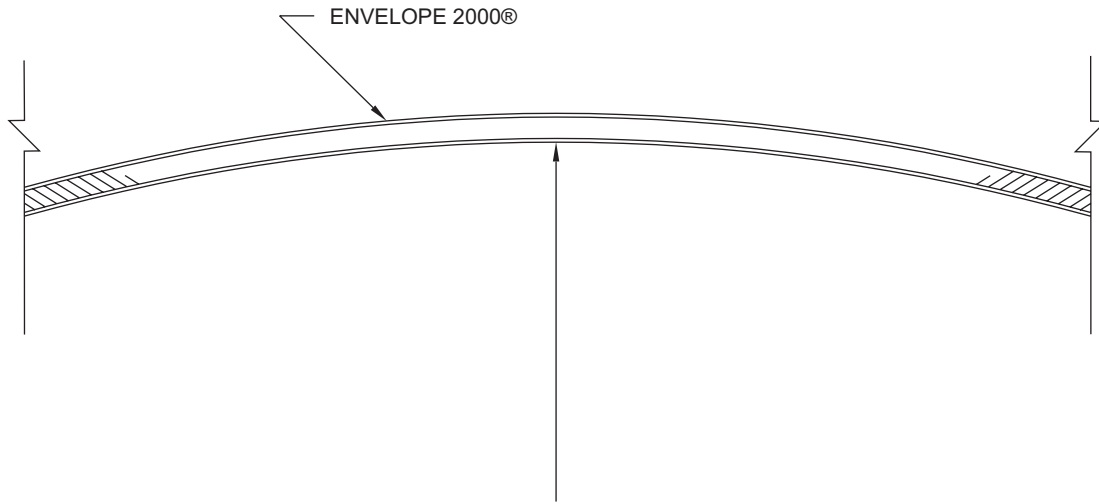
SCALE:
 1:1



9C

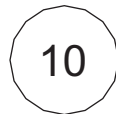
OUTSIDE CORNER, OPTION 3

<p>DRAWING NAME: E2K RV 9C Outside Corner Option 3.dwg</p>			<p>Note: This detail represents the latest recommendations from Citadel Architectural Products, Inc. It is presented in good faith and is subject to change without notice. Citadel Architectural Products, Inc. accepts no responsibility for the end use of this detail. For conditions not shown, consult our Technical Staff at (800) 446-8828 for review of specific details.</p>
<p>SYSTEM: Reveal (RV)</p>	<p>REVISED: 11/06</p>	<p>SCALE: 1:1</p>	



NOTE:
 PANELS CAN BE FACTORY CURVED TO A MINIMUM
 8" RADIUS @ 90°, AND A 18" RADIUS @ 180°.
 MOLDINGS MUST ALSO BE FACTORY CURVED.
 CONTACT CITADEL WITH SPECIFIC REQUIREMENTS.

FOR COLUMN COVERS, PLEASE REFER TO THE
 ENVELOPE 2000®RR SYSTEM.



CURVED SECTION

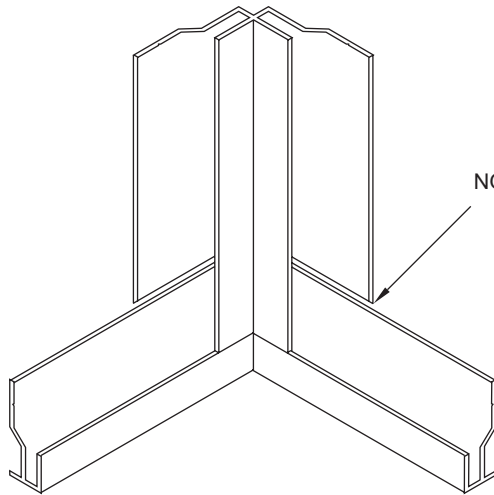
Note: This detail represents the latest recommendations from Citadel Architectural Products, Inc. It is presented in good faith and is subject to change without notice. Citadel Architectural Products, Inc. accepts no responsibility for the end use of this detail. For conditions not shown, consult our Technical Staff at (800) 446-8828 for review of specific details.

DRAWING NAME:
 E2K RV 10 Curved Section.dwg

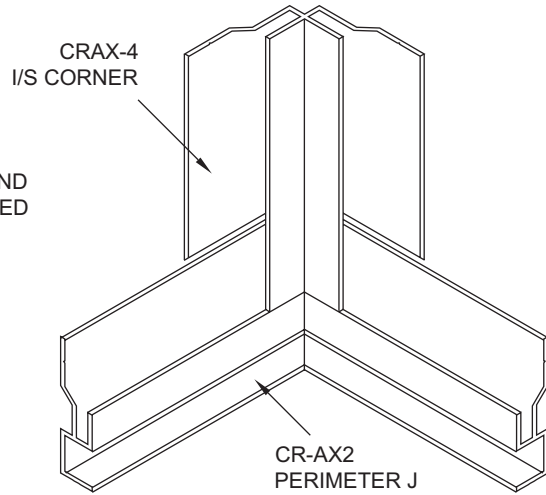
SYSTEM:
 Reveal (RV)

REVISED:
 11/06

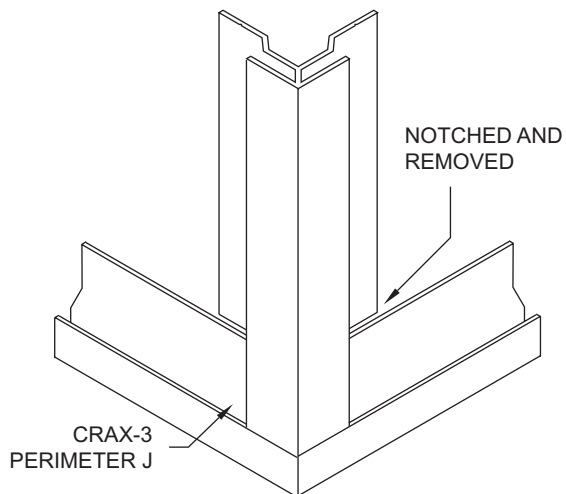
SCALE:
 n/a



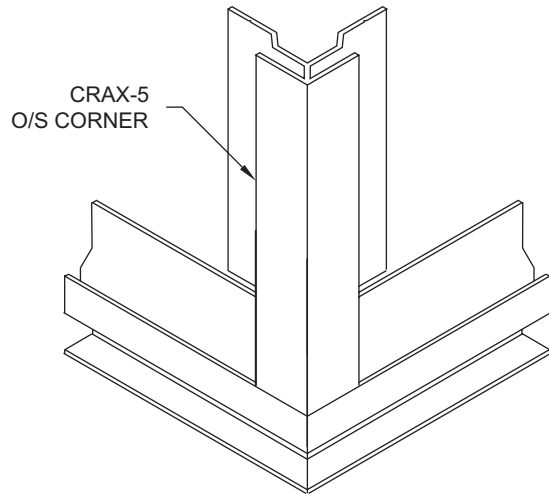
11A BASE INSIDE CORNER, OPTION 1



11B BASE INSIDE CORNER, OPTION 2



12A BASE OUTSIDE CORNER, OPTION 1



12B BASE OUTSIDE CORNER, OPTION 2

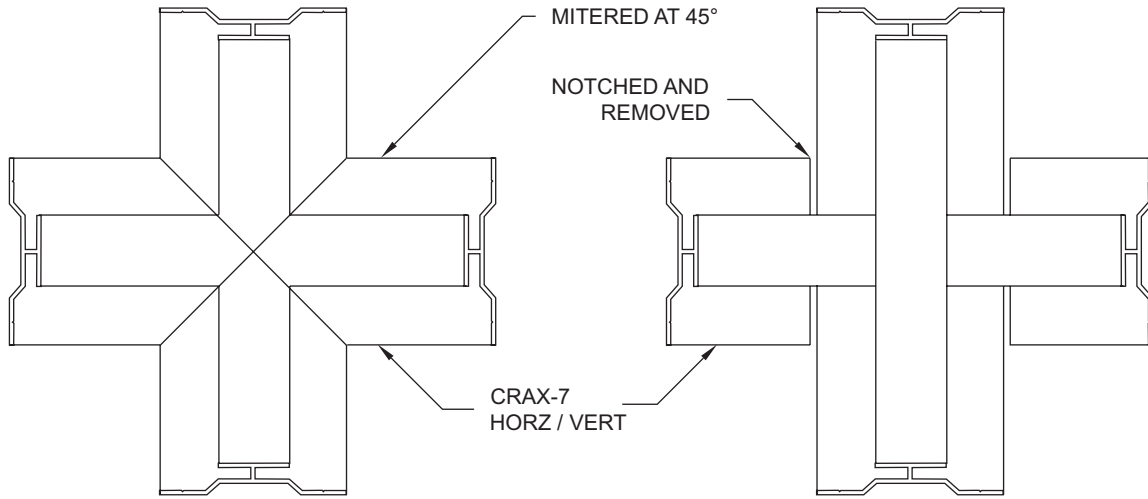
DRAWING NAME:
E2K RV Intersections 11A To 12B.dwg

SYSTEM:
Reveal (RV)

REVISED:
11/06

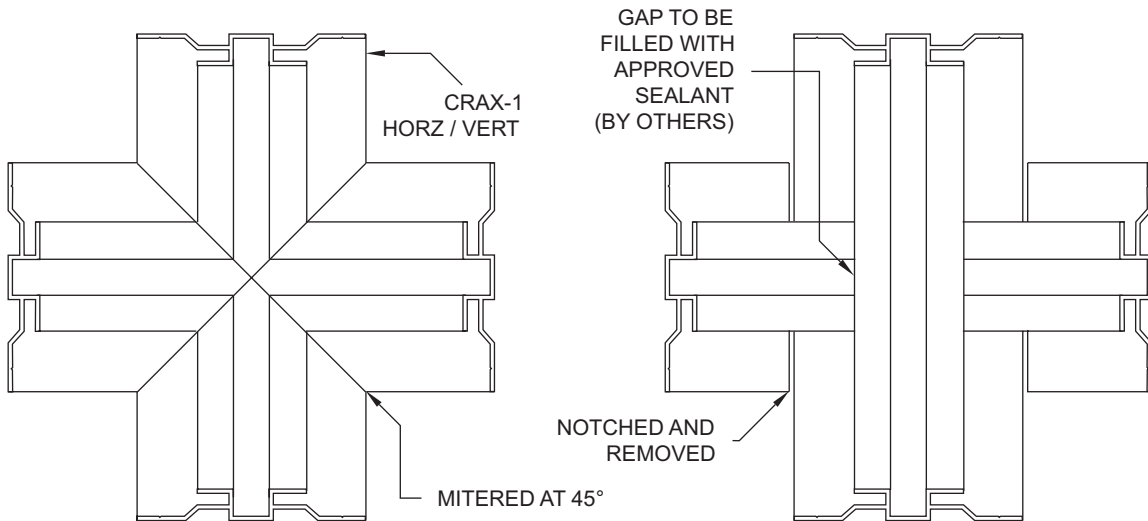
SCALE:
n/a

Note: This detail represents the latest recommendations from Citadel Architectural Products, Inc. It is presented in good faith and is subject to change without notice. Citadel Architectural Products, Inc. accepts no responsibility for the end use of this detail. For conditions not shown, consult our Technical Staff at (800) 446-8828 for review of specific details.



13A HORIZONTAL / VERTICAL, OPTION 1

13B HORIZONTAL / VERTICAL, OPTION 2



13C HORIZONTAL / VERTICAL, OPTION 3

13D HORIZONTAL / VERTICAL, OPTION 4

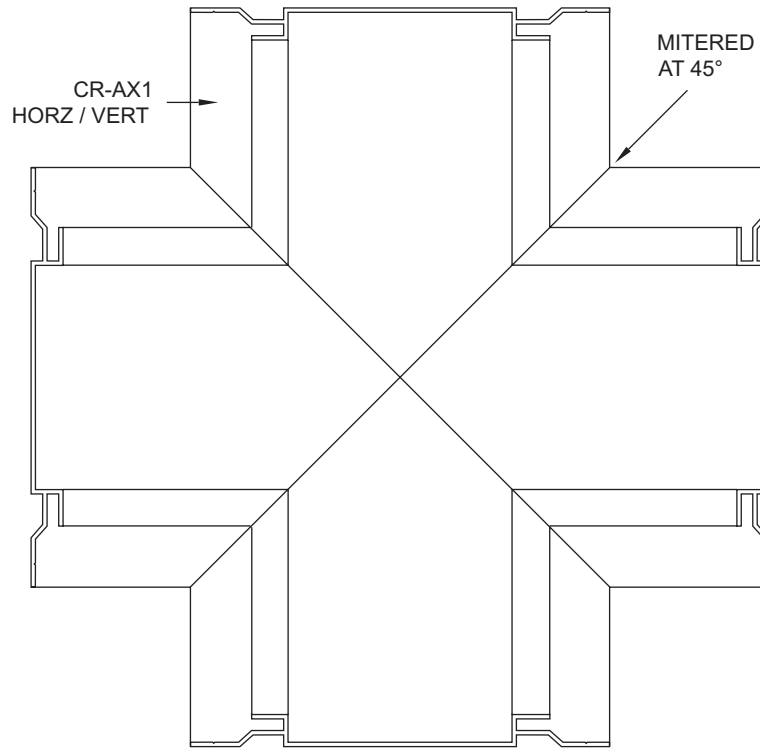
Note: This detail represents the latest recommendations from Citadel Architectural Products, Inc. It is presented in good faith and is subject to change without notice. Citadel Architectural Products, Inc. accepts no responsibility for the end use of this detail. For conditions not shown, consult our Technical Staff at (800) 446-8828 for review of specific details.

DRAWING NAME:
E2K RV Intersections 13A To 13D.dwg

SYSTEM:
Reveal (RV)

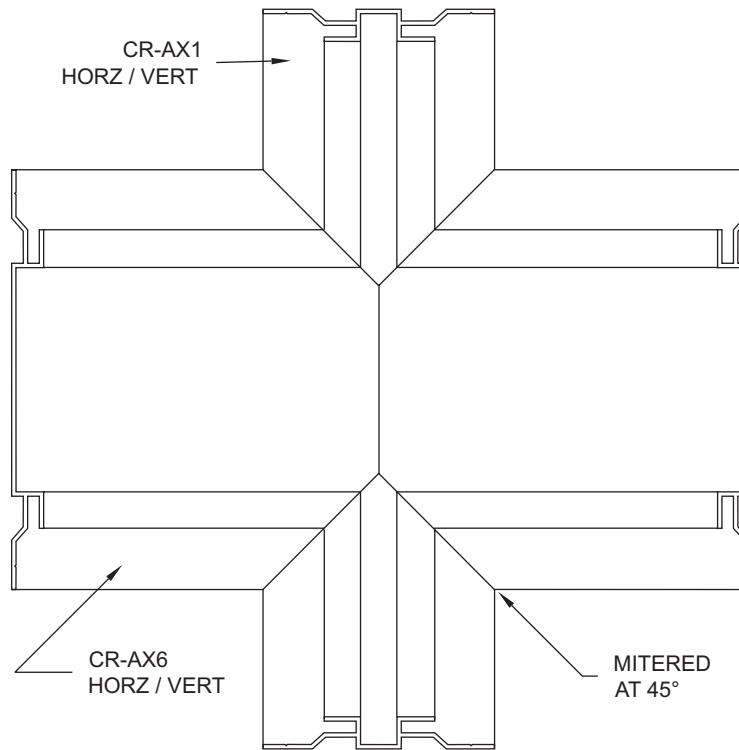
REVISED:
11/06

SCALE:
n/a



13E HORIZONTAL / VERTICAL, OPTION 5

DRAWING NAME: E2K RV Intersections 13E.dwg			Note: This detail represents the latest recommendations from Citadel Architectural Products, Inc. It is presented in good faith and is subject to change without notice. Citadel Architectural Products, Inc. accepts no responsibility for the end use of this detail. For conditions not shown, consult our Technical Staff at (800) 446-8828 for review of specific details.
SYSTEM: Reveal (RV)	REVISED: 11/06	SCALE: n/a	



13F HORIZONTAL / VERTICAL, OPTION 6

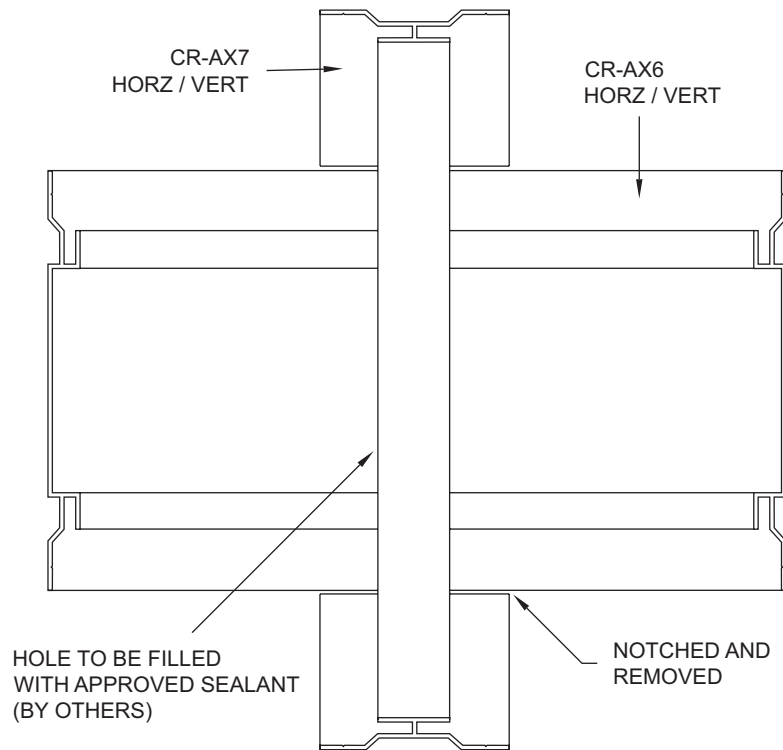
Note: This detail represents the latest recommendations from Citadel Architectural Products, Inc. It is presented in good faith and is subject to change without notice. Citadel Architectural Products, Inc. accepts no responsibility for the end use of this detail. For conditions not shown, consult our Technical Staff at (800) 446-8828 for review of specific details.

DRAWING NAME:
E2K RV Intersections 13F.dwg

SYSTEM:
Reveal (RV)

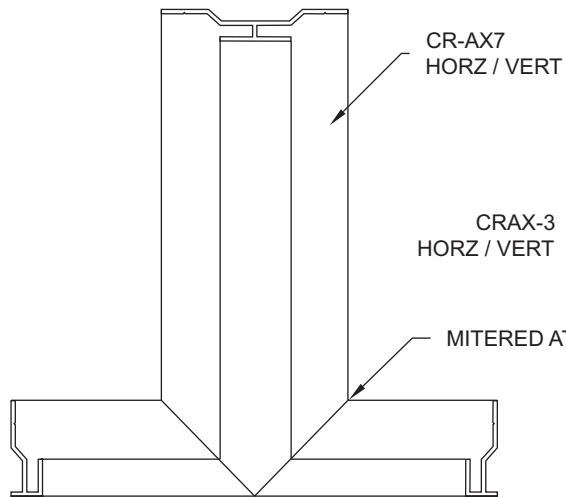
REVISED:
11/06

SCALE:
n/a

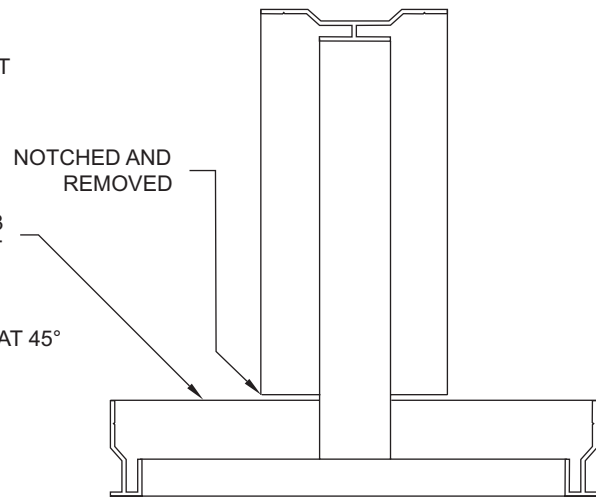


13G HORIZONTAL / VERTICAL, OPTION 7

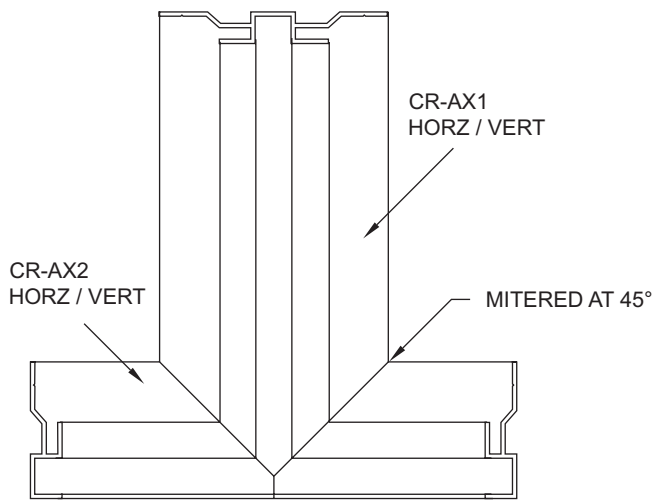
DRAWING NAME: E2K RV Intersections 13G.dwg			Note: This detail represents the latest recommendations from Citadel Architectural Products, Inc. It is presented in good faith and is subject to change without notice. Citadel Architectural Products, Inc. accepts no responsibility for the end use of this detail. For conditions not shown, consult our Technical Staff at (800) 446-8828 for review of specific details.
SYSTEM: Reveal (RV)	REVISED: 11/06	SCALE: n/a	



14A HORZ / VERT TERMINATION, OPTION 1



14B HORZ / VERT TERMINATION, OPTION 2



14C HORZ / VERT TERMINATION, OPTION 3

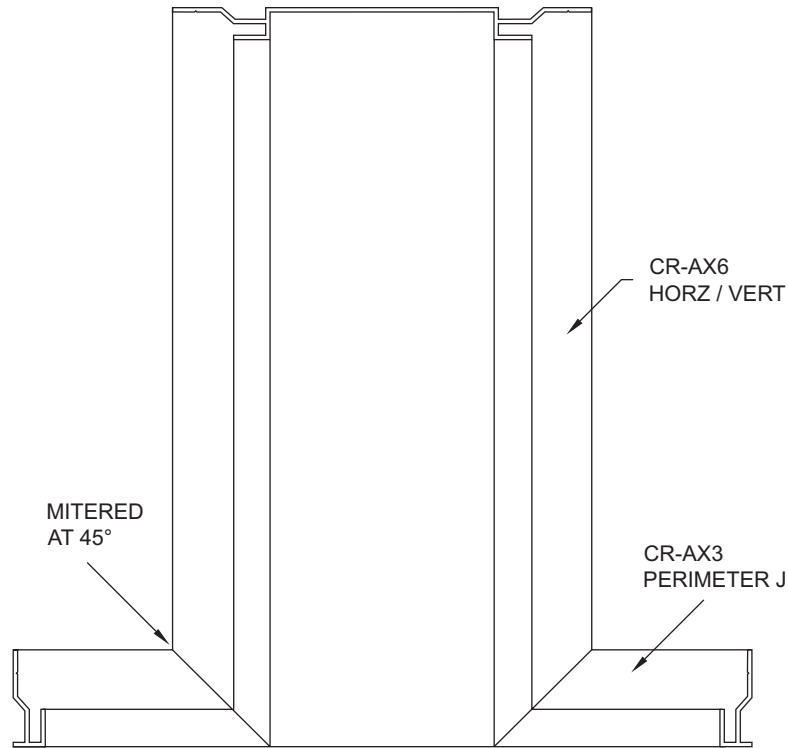
Note: This detail represents the latest recommendations from Citadel Architectural Products, Inc. It is presented in good faith and is subject to change without notice. Citadel Architectural Products, Inc. accepts no responsibility for the end use of this detail. For conditions not shown, consult our Technical Staff at (800) 446-8828 for review of specific details.

DRAWING NAME:
E2K RV Intersections 14A To 14C.dwg

SYSTEM:
Reveal (RV)

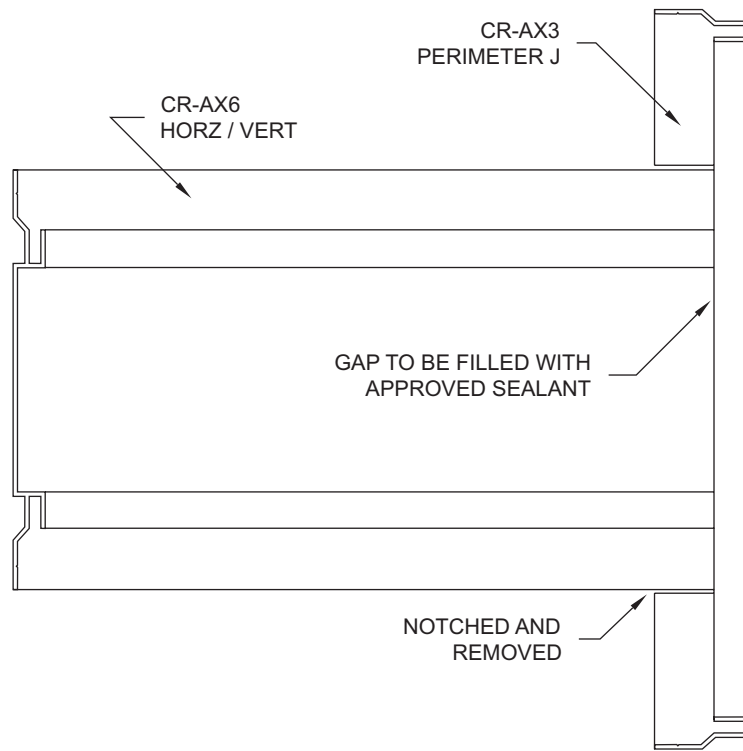
REVISED:
11/06

SCALE:
n/a



14D HORZ / VERT TERMINATION, OPTION 4

DRAWING NAME: E2K RV Intersections 14D.dwg			Note: This detail represents the latest recommendations from Citadel Architectural Products, Inc. It is presented in good faith and is subject to change without notice. Citadel Architectural Products, Inc. accepts no responsibility for the end use of this detail. For conditions not shown, consult our Technical Staff at (800) 446-8828 for review of specific details.
SYSTEM: Reveal (RV)	REVISED: 11/06	SCALE: n/a	



15A HORZ TERMINATION ONLY, OPTION 1

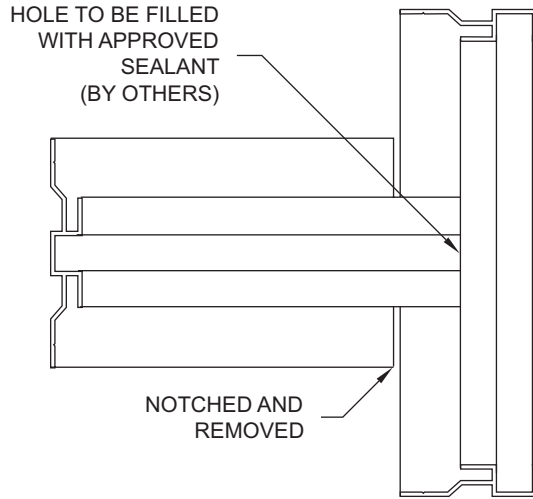
Note: This detail represents the latest recommendations from Citadel Architectural Products, Inc. It is presented in good faith and is subject to change without notice. Citadel Architectural Products, Inc. accepts no responsibility for the end use of this detail. For conditions not shown, consult our Technical Staff at (800) 446-8828 for review of specific details.

DRAWING NAME:
E2K RV Intersections 15A.dwg

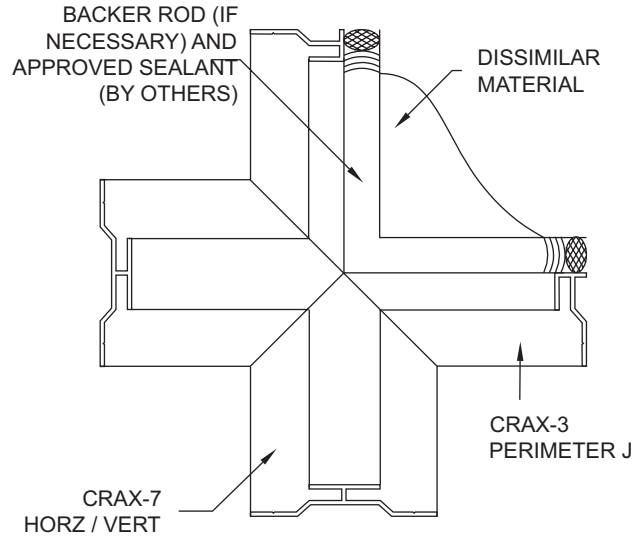
SYSTEM:
Reveal (RV)

REVISED:
11/06

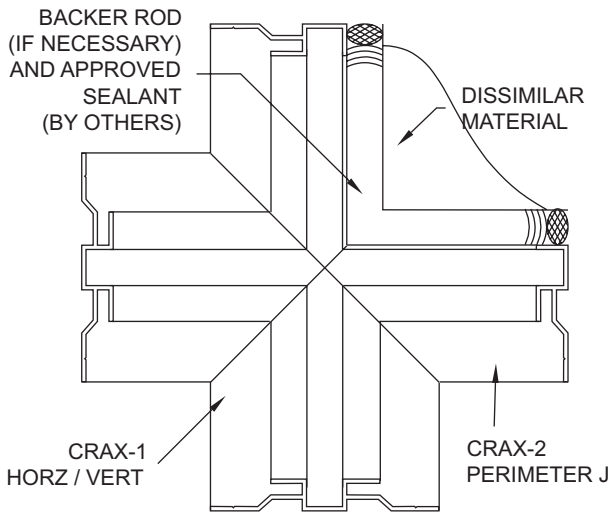
SCALE:
n/a



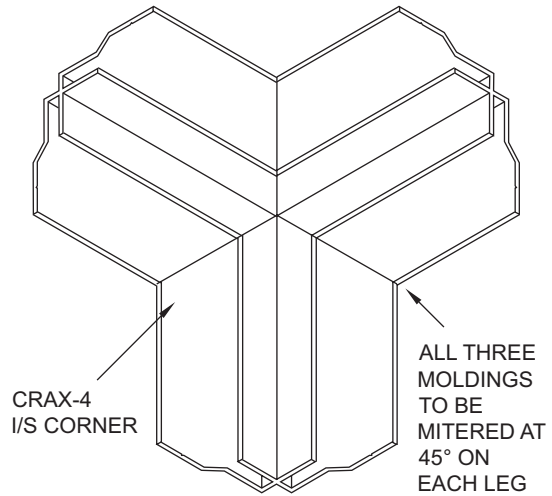
15B HORZ TERMINATION ONLY, OPTION 2



16A DISSIMILAR MATERIAL CORNER, OPT. 1



16B DISSIMILAR MATERIAL CORNER, OPT. 2



17 THREE WAY INSIDE CORNER

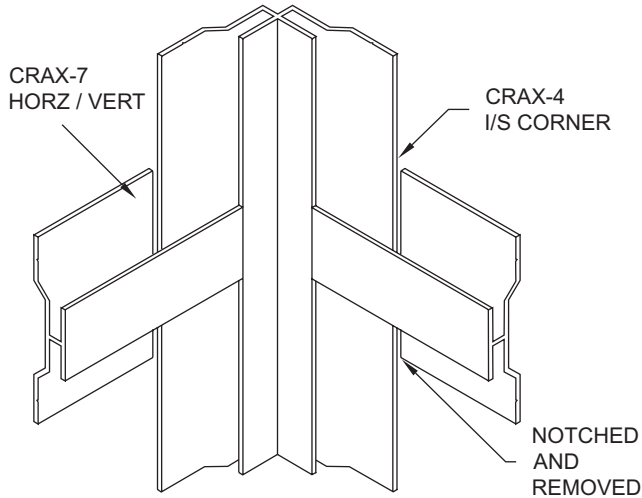
DRAWING NAME:
E2K RV Intersections 15B To 17.dwg

SYSTEM:
Reveal (RV)

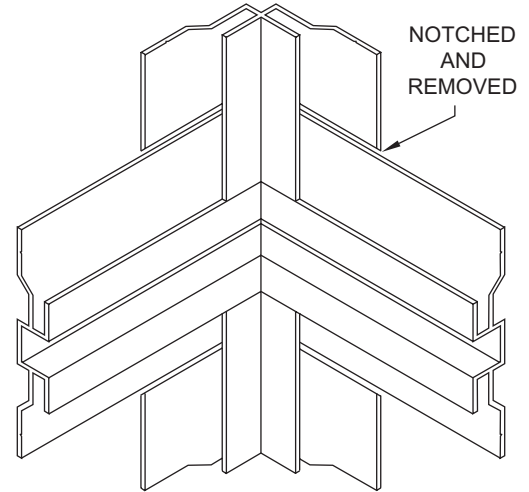
REVISED:
11/06

SCALE:
n/a

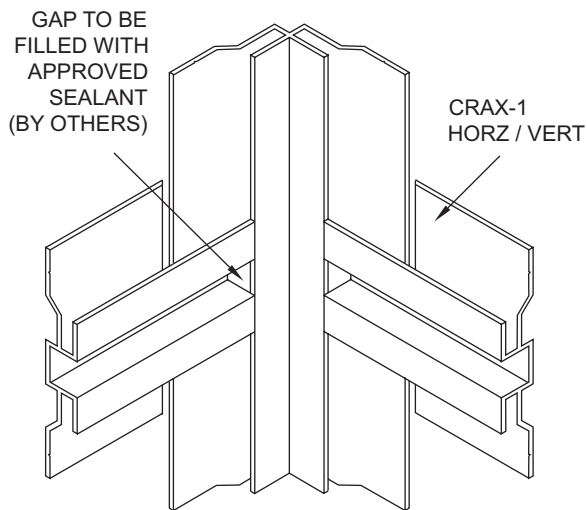
Note: This detail represents the latest recommendations from Citadel Architectural Products, Inc. It is presented in good faith and is subject to change without notice. Citadel Architectural Products, Inc. accepts no responsibility for the end use of this detail. For conditions not shown, consult our Technical Staff at (800) 446-8828 for review of specific details.



18A INSIDE CORNER, OPTION 1



18B INSIDE CORNER, OPTION 2



18C INSIDE CORNER, OPTION 3

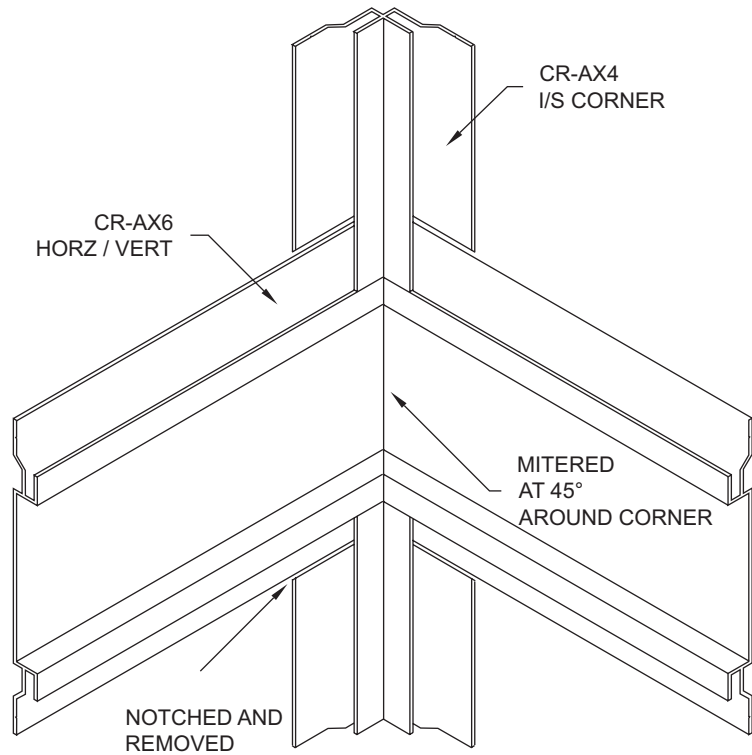
Note: This detail represents the latest recommendations from Citadel Architectural Products, Inc. It is presented in good faith and is subject to change without notice. Citadel Architectural Products, Inc. accepts no responsibility for the end use of this detail. For conditions not shown, consult our Technical Staff at (800) 446-8828 for review of specific details.

DRAWING NAME:
E2K RV Intersections 18A To 18C.dwg

SYSTEM:
Reveal (RV)

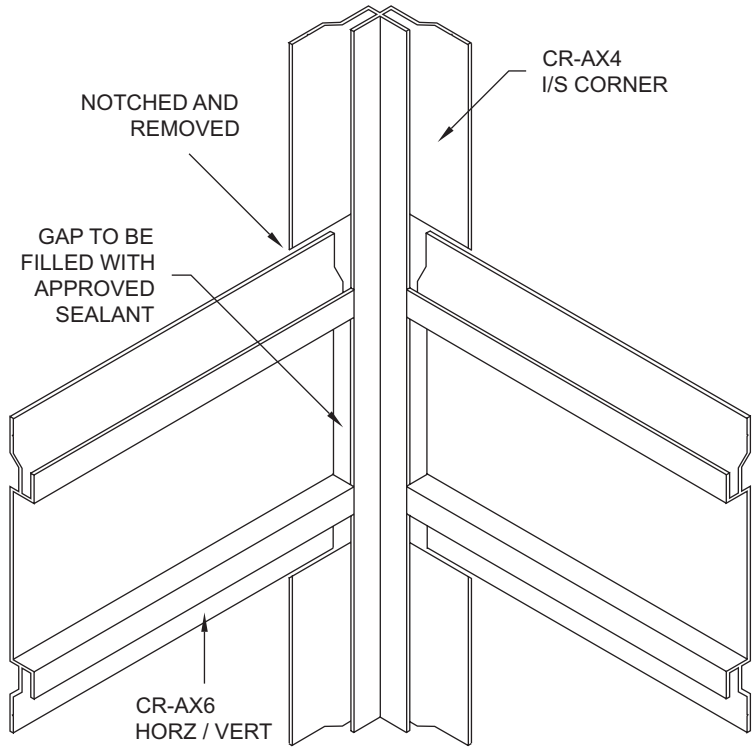
REVISED:
11/06

SCALE:
n/a



18D INSIDE CORNER, OPTION 4

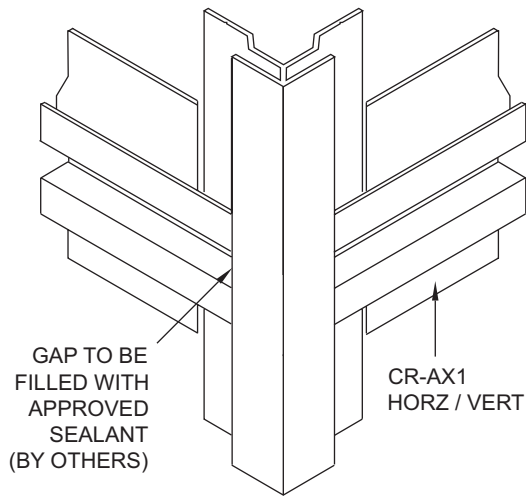
DRAWING NAME: E2K RV Intersections 18D.dwg			Note: This detail represents the latest recommendations from Citadel Architectural Products, Inc. It is presented in good faith and is subject to change without notice. Citadel Architectural Products, Inc. accepts no responsibility for the end use of this detail. For conditions not shown, consult our Technical Staff at (800) 446-8828 for review of specific details.
SYSTEM: Reveal (RV)	REVISED: 11/06	SCALE: n/a	



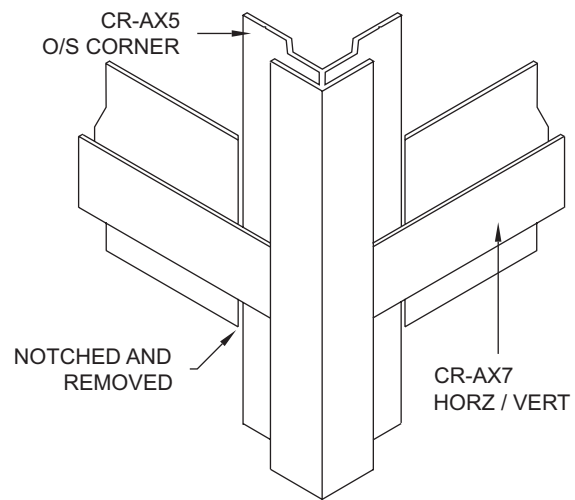
18E INSIDE CORNER, OPTION 5

Note: This detail represents the latest recommendations from Citadel Architectural Products, Inc. It is presented in good faith and is subject to change without notice. Citadel Architectural Products, Inc. accepts no responsibility for the end use of this detail. For conditions not shown, consult our Technical Staff at (800) 446-8828 for review of specific details.

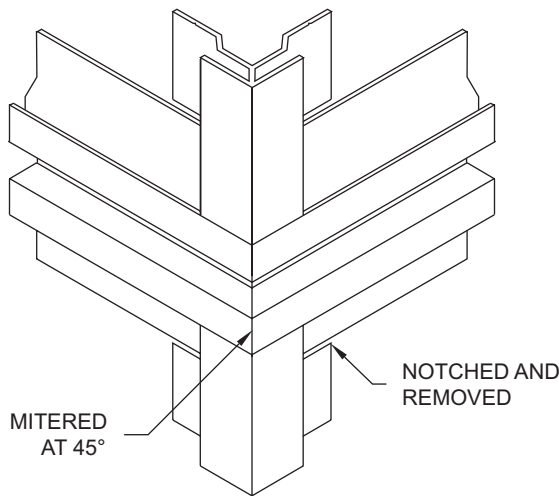
DRAWING NAME: E2K RV Intersections 18E.dwg		
SYSTEM: Reveal (RV)	REVISED: 11/06	SCALE: n/a



19A OUTSIDE CORNER, OPTION 1



19B OUTSIDE CORNER, OPTION 2



19C OUTSIDE CORNER, OPTION 3

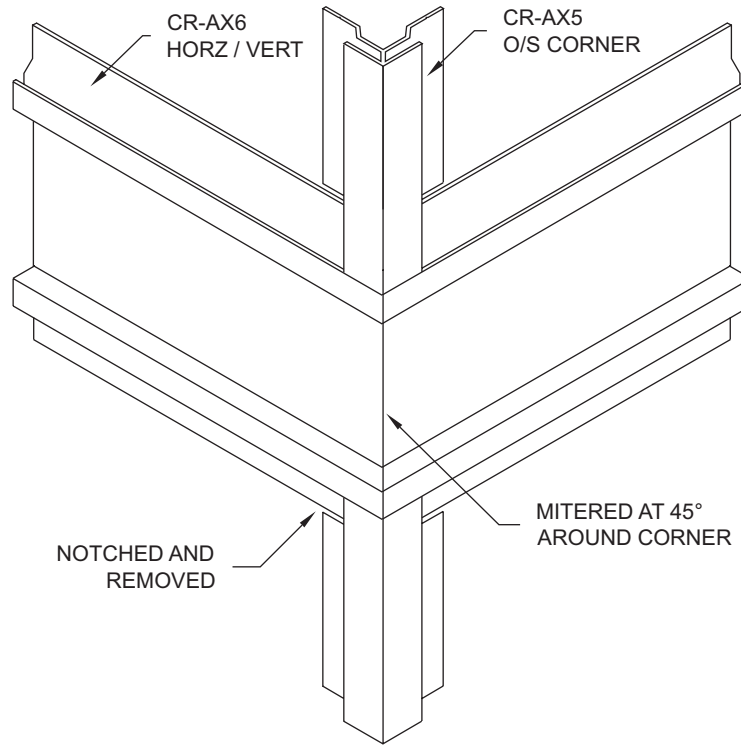
DRAWING NAME:
E2K RV Intersections 19A To 19C.dwg

SYSTEM:
Reveal (RV)

REVISED:
11/06

SCALE:
n/a

Note: This detail represents the latest recommendations from Citadel Architectural Products, Inc. It is presented in good faith and is subject to change without notice. Citadel Architectural Products, Inc. accepts no responsibility for the end use of this detail. For conditions not shown, consult our Technical Staff at (800) 446-8828 for review of specific details.



19D OUTSIDE CORNER, OPTION 4

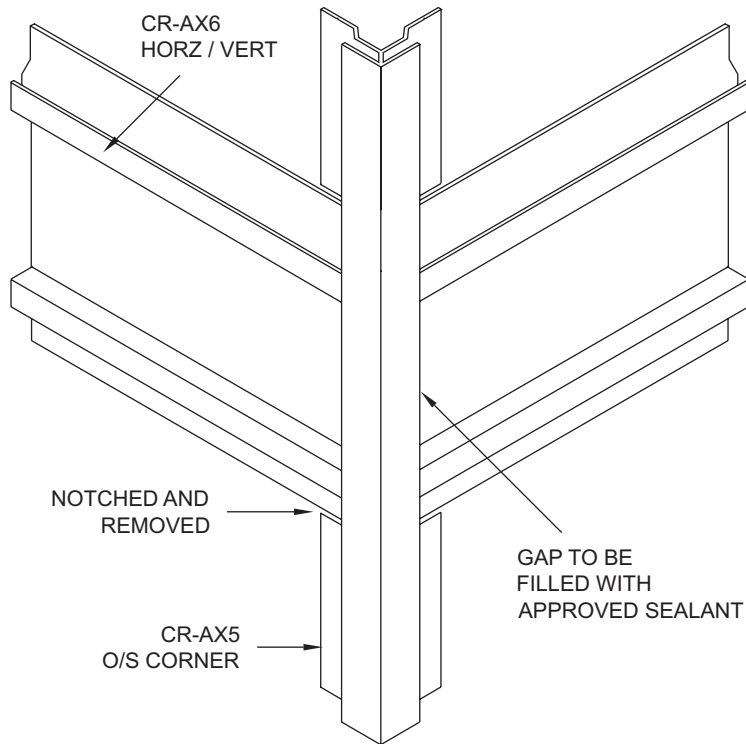
Note: This detail represents the latest recommendations from Citadel Architectural Products, Inc. It is presented in good faith and is subject to change without notice. Citadel Architectural Products, Inc. accepts no responsibility for the end use of this detail. For conditions not shown, consult our Technical Staff at (800) 446-8828 for review of specific details.

DRAWING NAME:
E2K RV Intersections 19D.dwg

SYSTEM:
Reveal (RV)

REVISED:
11/06

SCALE:
n/a



19E OUTSIDE CORNER, OPTION 5

DRAWING NAME: E2K RV Intersections 19E.dwg			Note: This detail represents the latest recommendations from Citadel Architectural Products, Inc. It is presented in good faith and is subject to change without notice. Citadel Architectural Products, Inc. accepts no responsibility for the end use of this detail. For conditions not shown, consult our Technical Staff at (800) 446-8828 for review of specific details.
SYSTEM: Reveal (RV)	REVISED: 11/06	SCALE: n/a	